

ROSA

Put your menu on a pedestal



This modern looking case has LED standard lighting, optional lift up top glass and a hinged evaporator for ease of cleaning. Available in Pastry, Deli and Gelato Ice Cream configurations and can line up to a Self Serve Grab N Go. The front décor can be finished on site to fit any ambience or you may choose any Oscartek™ pre-finish.



Discover the Art of Display...

512 South Airport Blvd., South San Francisco, CA 94080
Tel: 855.885.2400 | 650.342.2400 | Fax: 650.342.7400
sales@oscartek.com | www.oscartek.com



ROSA GELATO/ICE CREAM SHOWCASE

STANDARD FEATURES

- Extra clear glass: top glass only
- Heated glass front and sides glasses
- Diffused LED lighting 3000°K
- Sliding acrylic back doors
- Stainless steel lower interior foam tub
- Galvanized chassis structure
- All tempered glass
- Cases ship standard unfinished front and stainless steel skin sides



Photo shown with optional RAL color finish. Standard cases are unfinished front with stainless steel skin sides.

OPTIONS

- Available in 53 1/8"H
- Narrow depth 25 7/16"D
- Lift up top glass
- Work top perimeter (brushed s/s, corian, black HPL, granite)
- Switch device from low temp. (-18°C) to positive temp. (+4°C)
- Stainless steel display trays for ice cream cakes
- Stainless steel pans (4 liter, 5 liter, and 8 liter)
- Dipper well
- Cone holder
- Remote condensing unit
- Popsicle display tray (stainless steel & plastic)
- Plastic available in color options (see images on the right)
- RAL color finish/wood laminate front and side panels
- Epoxy RAL color interior over stainless steel
- Unfinished panels to accept custom millwork by others
- Casters



Visit our website for more finishing options and RAL colors www.oscartek.com

		ROSA GELATO/ICE CREAM			
TECHNICAL FEATURES		MODELS			
		ROSA G1000	ROSA G1150 (ROSAGLR44512)	ROSA G1650 (ROSAGLR46512)	ROSA G2150 (ROSAGLR48512)
External Dimensions (L-D-H)	Inches	*39 1/2" - 32 5/16" - 47 1/4"	*45 3/8" - 32 5/16" - 47 1/4"	*65 1/16" - 32 5/16" - 47 1/4"	*84 3/4" - 32 5/16" - 47 1/4"
	Inches-MM	*1003 - 821 - 1200	*1153 - 821 - 1200	*1653 - 821 - 1200	*2153 - 821 - 1200
Crated Dimensions (L-D-H)	Inches	46" - 40 1/2" - 55 1/4"	52" - 40 1/2" - 55 1/4"	72" - 40 1/2" - 55 1/4"	91" - 40 1/2" - 55 1/4"
	Inches-MM	1168 - 1030 - 1400	1320 - 1030 - 1400	1828 - 1030 - 1400	2311 - 1030 - 1400
4 Liter Pan Capacity** 10 1/8" x 6 1/8" x 5 7/8" (258mm x 156mm x 150mm)	Pan Configuration				
5 Liter Pan Capacity** 14 3/16" x 6 1/2" x 4 3/4" (360mm x 165mm x 120mm)	Pan Configuration				
8 Liter Pan Capacity** 14 3/16" x 9 13/16" x 4 3/4" (360mm x 250mm x 120mm)	Pan Configuration				
5 Liter + 8 Liter Pan Capacity** 5 Liter: 14 3/16" x 6 1/2" x 4 3/4" (360mm x 165mm x 120mm) 8 Liter: 14 3/16" x 9 13/16" x 4 3/4" (360mm x 250mm x 120mm)	Pan Configuration				
Refrigeration	Type	Fan Ventilated	Fan Ventilated	Fan Ventilated	Fan Ventilated
Refrigeration Display Area	Type	Deck	Deck	Deck	Deck
Operating Temperature	*F	-10°F to +20°F	-10°F to +20°F	-10°F to +20°F	-10°F to +20°F
Compressor	Nr./Type	1 / Hermetic	1 / Hermetic	1 / Hermetic	1 / Hermetic
Electric Supply	(V/Ph/Hz)	208-220/1/60	208-220/1/60	208-220/1/60	208-220/1/60
BTU'S @ -31°F Evap Temperature	BTU'S	1900	1900	2600	3100
Power Consumption	(W/A)	1700/9.1	1700/9.1	2200/11.5	2700/14.8
Defrost	Mode/Type	Hot Gas	Hot Gas	Hot Gas	Hot Gas
Climatic Class	*F/H.R.	75°F-55%RH	75°F-55%RH	75°F-55%RH	75°F-55%RH
Refrigerant Gas	Type	R404A / R452A	R404A / R452A	R404A / R452A	R404A / R452A
Pipe Size (Inches)	Suction, Liquid	5/8" Suction, 3/8" Liquid	5/8" Suction, 3/8" Liquid	5/8" Suction, 3/8" Liquid	3/4" Suction, 3/8" Liquid
Net Weights	Lb	365	375	530	605
Crated Weights	Lb	573	583	748	924

*DIMENSIONS WITH POLISHED S/S SKIN SIDES

**PANS NOT INCLUDED

*Factory in its effort to upgrade and improve our products, has the right to change, modify, discontinue or change any feature, size or capacity on any model without prior notice.



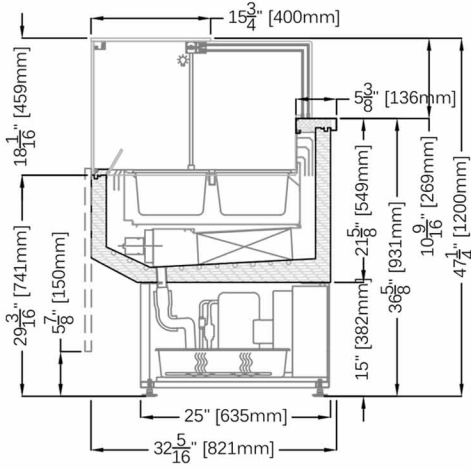
512 South Airport Blvd., South San Francisco, CA 94080
 Tel: 855.885.2400 | 650.342.2400 | Fax: 650.342.7400
 sales@oscartek.com | www.oscartek.com



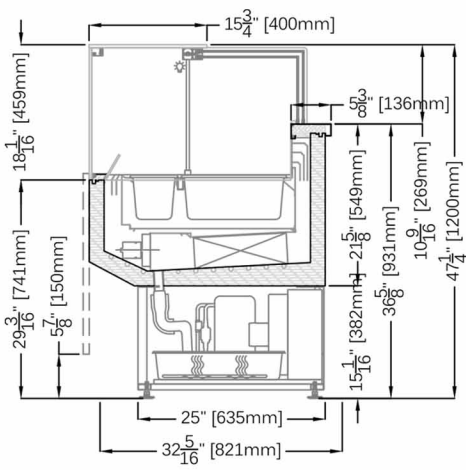
ROSA GELATO/ICE CREAM SHOWCASE

SECTION VIEWS: ROSA G1000, G1150, G1650, G2150

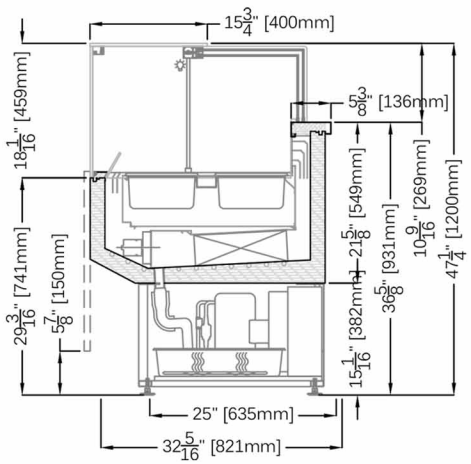
4 LITER PANS



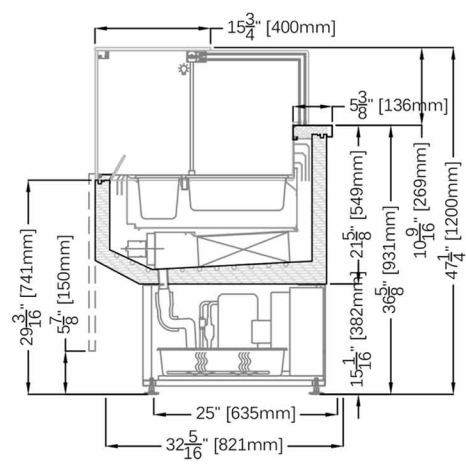
5 LITER PANS



8 LITER PANS

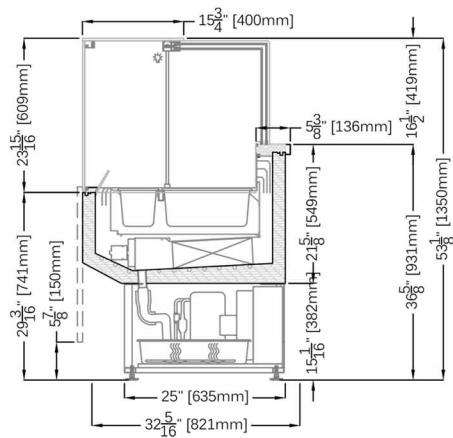


5 LITER + 8 LITER PANS

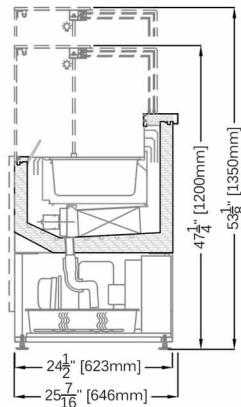


SECTION VIEWS - OPTIONAL:

AVAILABLE IN 53 1/8" H



ROSA NARROW
AVAILABLE IN 47 1/4" H & 53 1/8" H



*Factory in its effort to upgrade and improve our products, has the right to change, modify, discontinue or change any feature, size or capacity on any model without prior notice.

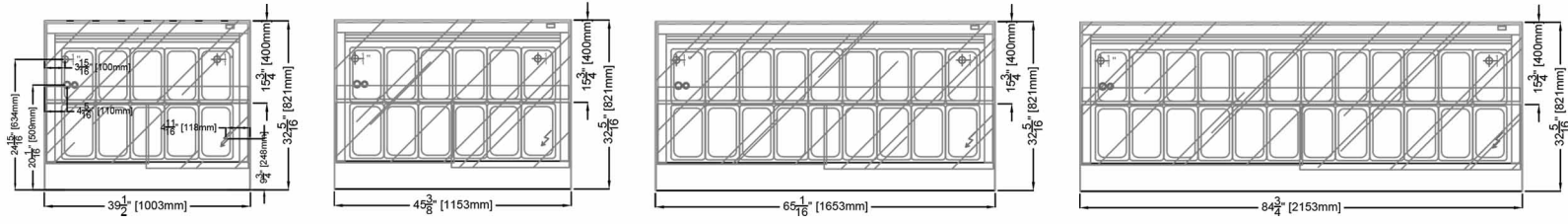


512 South Airport Blvd., South San Francisco, CA 94080
 Tel: 855.885.2400 | 650.342.2400 | Fax: 650.342.7400
 sales@oscartek.com | www.oscartek.com

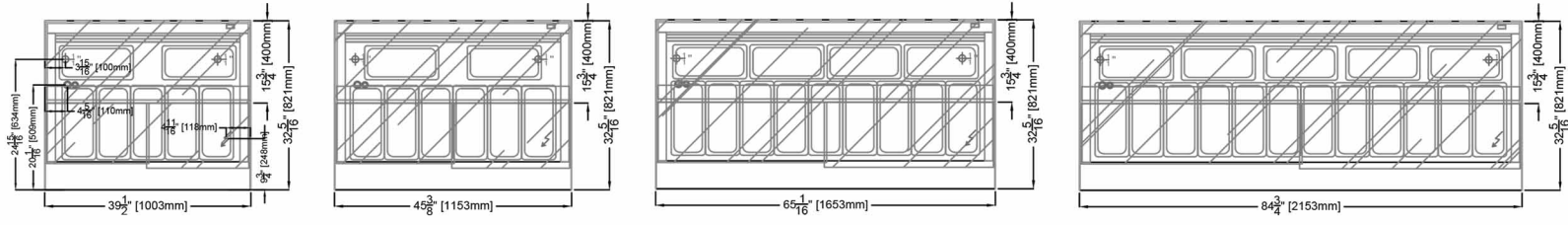


ROSA GELATO/ICE CREAM SHOWCASE

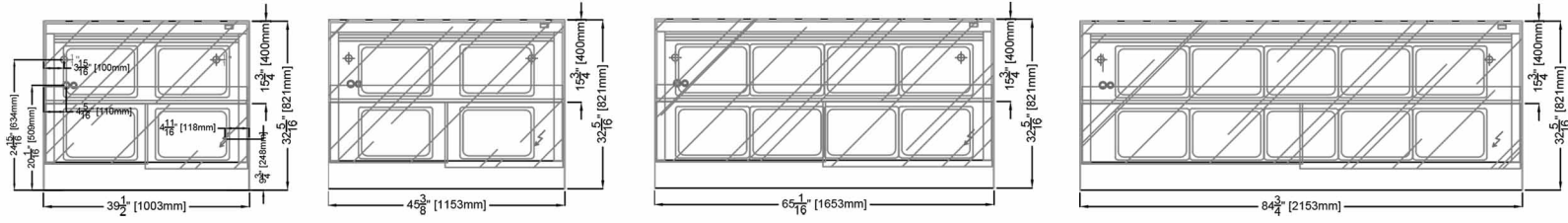
PLAN VIEWS - 4 LITER PANS: ROSA G1000, G1150, G1650, G2150



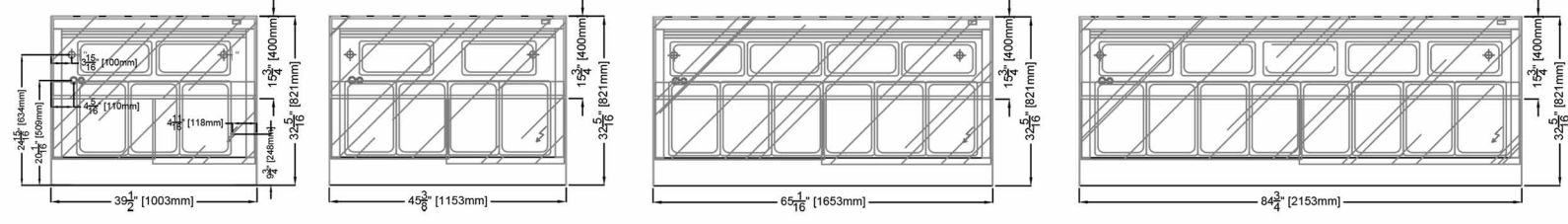
PLAN VIEWS - 5 LITER PANS: ROSA G1000, G1150, G1650, G2150



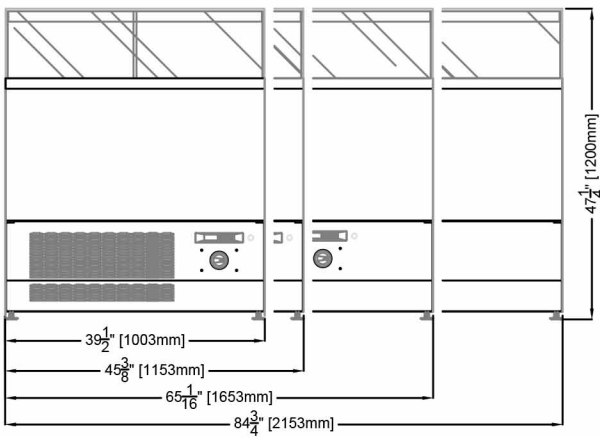
PLAN VIEWS - 8 LITER PANS: ROSA G1000, G1150, G1650, G2150



PLAN VIEWS - 5 LITER & 8 LITER PANS: ROSA G1000, G1150, G1650, G2150



REAR ELEVATIONS (OPERATOR SIDE): ROSA G1000, G1150, G1650, G2150



ELECTRICAL LEGEND	
	REFRIGERATED LINES
	DRAIN
	POWER

*Factory in its effort to upgrade and improve our products, has the right to change, modify, discontinue or change any feature, size or capacity on any model without prior notice.



512 South Airport Blvd., South San Francisco, CA 94080
 Tel: 855.885.2400 | 650.342.2400 | Fax: 650.342.7400
 sales@oscartek.com | www.oscartek.com





Discover the Art of Display...



Photo shown with optional RAL color finish. Standard cases are unfinished front with stainless steel skin sides.

Visit our website for optional RAL colors and Materials finishes.

RAL colors - <https://www.ral-farben.de/en/all-ral-colours>

Materials - <https://www.oscartek.com/downloads/oscartek-materials-brochure.pdf>

Project Name: _____

Item #: _____ Quantity: _____

ROSA DELI/PASTRY SHOWCASE

MODELS: ROSA DP900, ROSA DP1000, ROSA DP1300, ROSA DP1500, ROSA DP1700, ROSA DP2000, ROSA DP2100, ROSA DP2600, ROSA DP3000, ROSA DPA90SQ, ROSA DPA90C

STANDARD FEATURES

- Extra clear glass: front and top glasses with front air baffle
- Heated glass sides
- Diffused LED lighting 3000°K
- Sliding acrylic back doors
- Stainless steel lower interior foam tub
- Galvanized chassis structure
- All tempered glass
- Cases ship standard unfinished front and stainless steel skin sides

OPTIONS

- Available in 53 1/8"H with non-refrigerated shelf
- Narrow depth 25 7/16"D
- Lift up top glass
- Lift up mechanism for display plate and evaporator (linear models only)
- Work top perimeter (brushed s/s, corian, black HPL, granite)
- Stainless steel step shelf
- Cold storage
- Remote condensing unit
- RAL color finish/wood laminate front and side panels
- Epoxy RAL color interior over stainless steel
- Unfinished panels to accept custom millwork by others
- Heated pan for evaporator
- Casters

*Oscartek reserves the right to change, modify, discontinue, or change any features, sizes, or capacity on any model without prior notice.

OSCARTEK
512 South Airport Blvd., South San Francisco, CA 94080
Tel: 855.885.2400 | 650.342.2400 | Fax: 650.342.7400
sales@oscartek.com | www.oscartek.com

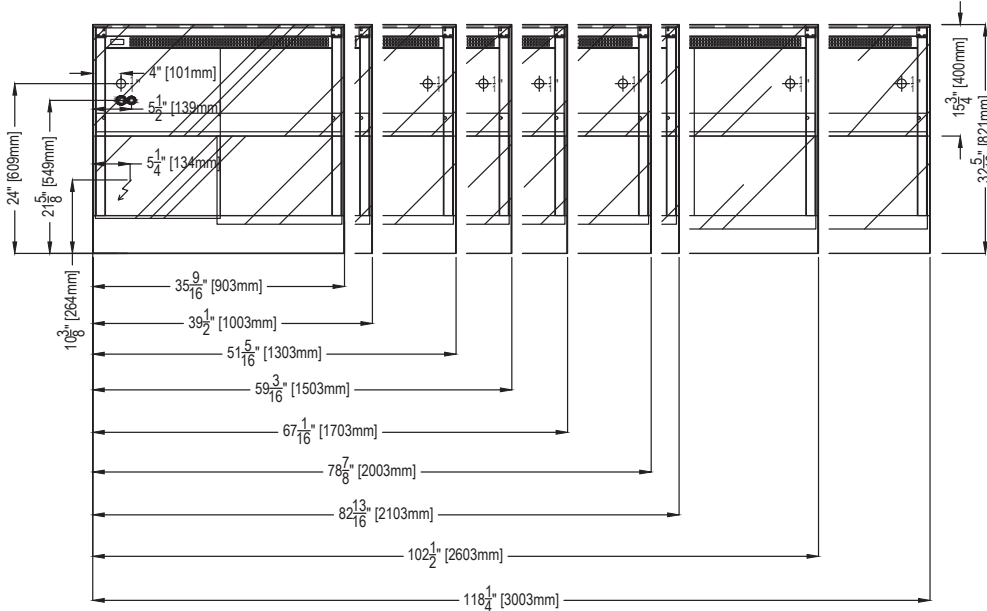




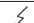
ROSA DELI/PASTRY SHOWCASE

MODELS: ROSA DP900, ROSA DP1000, ROSA DP1300, ROSA DP1500, ROSA DP1700, ROSA DP2000, ROSA DP2100, ROSA DP2600, ROSA DP3000, ROSA DPA90SQ, ROSA DPA90C

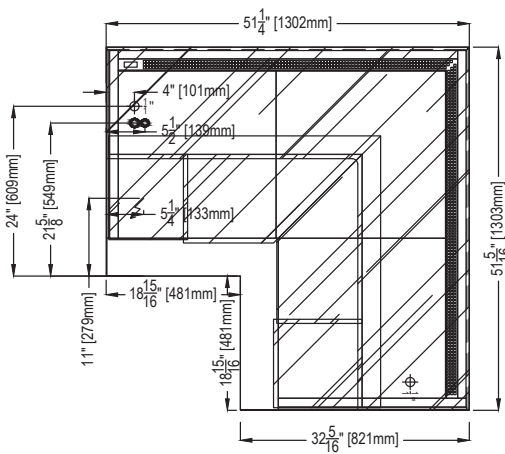
STANDARD: ROSA DELI/PASTRY PLAN VIEWS

ROSA DELI/PASTRY LINEAR MODELS

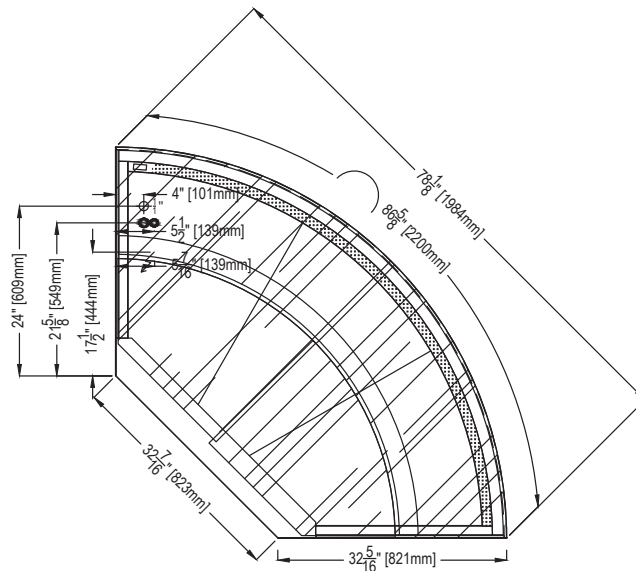


ELECTRICAL LEGEND	
	REFRIGERATION LINES
	DRAIN
	POWER

ROSA DPA90SQ



ROSA DPA90C



*Oscartek reserves the right to change, modify, discontinue, or change any features, sizes, or capacity on any model without prior notice.

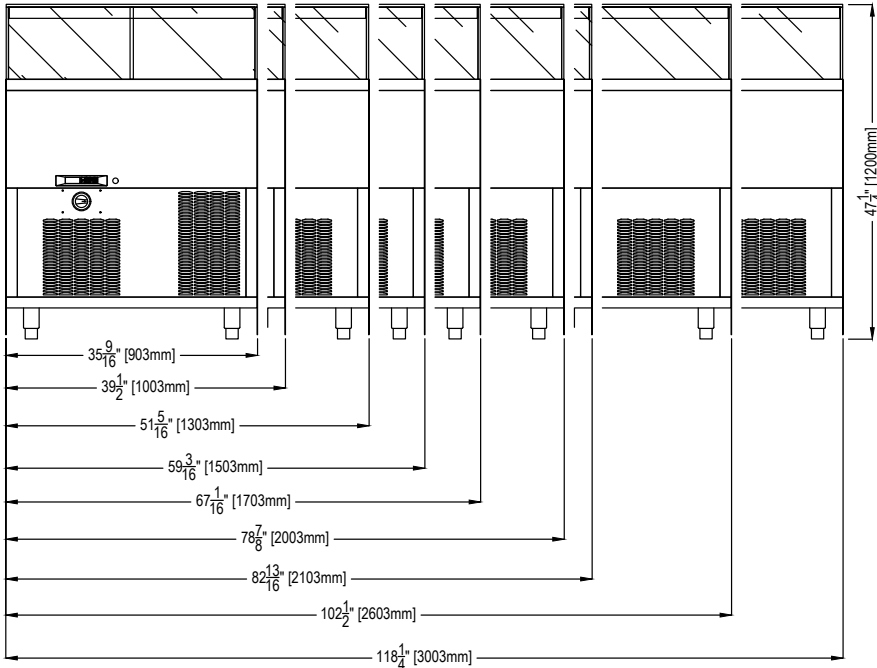
ROSA DELI/PASTRY SHOWCASE

MODELS: ROSA DP900, ROSA DP1000, ROSA DP1300, ROSA DP1500, ROSA DP1700, ROSA DP2000, ROSA DP2100, ROSA DP2600, ROSA DP3000, ROSA DPA90SQ, ROSA DPA90C

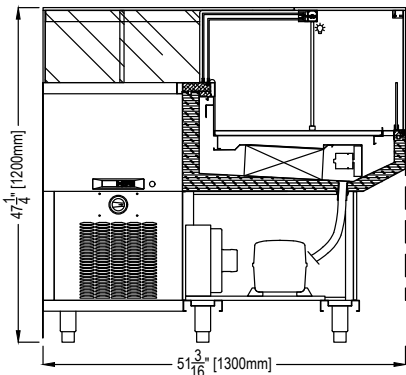
STANDARD: ROSA DELI/PASTRY

REAR ELEVATIONS(OPERATOR SIDE) SHOWN WITH REAR VENTILATION ON LINEAR MODELS

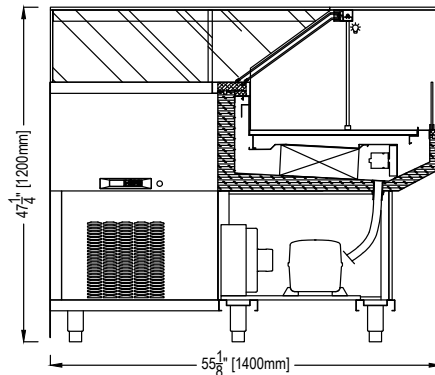
ROSA DELI/PASTRY LINEAR MODELS



ROSA DPA90SQ



ROSA DPA90C



*Oscartek reserves the right to change, modify, discontinue, or change any features, sizes, or capacity on any model without prior notice.

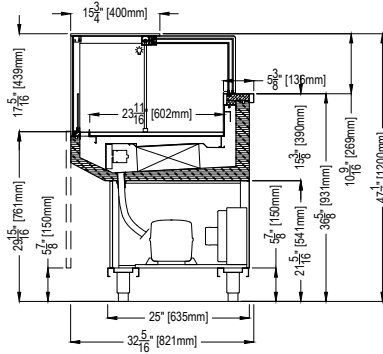
ROSA DELI/PASTRY SHOWCASE

MODELS: ROSA DP900, ROSA DP1000, ROSA DP1300, ROSA DP1500, ROSA DP1700, ROSA DP2000, ROSA DP2100, ROSA DP2600, ROSA DP3000, ROSA DPA90SQ, ROSA DPA90C

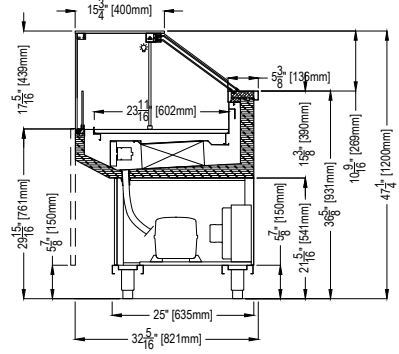
STANDARD: ROSA DELI/PASTRY SECTION VIEWS

ALL ROSA DELI/PASTRY LINEAR MODELS + DPA90SQ (EXCEPT FOR ROSA DP3000)

ROSA DP3000



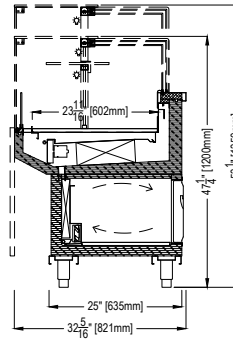
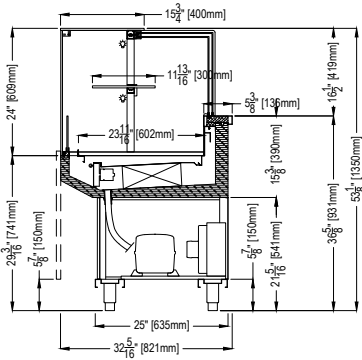
ROSA DPA90C



OPTIONAL: ROSA DELI/PASTRY SECTION VIEWS

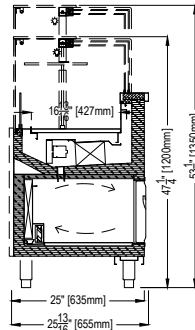
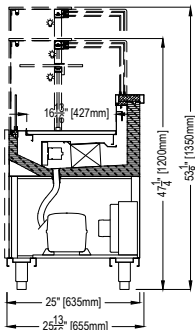
ROSA DELI/PASTRY - AVAILABLE IN 53 1/8" H WITH NON-REFRIGERATED SHELF

ROSA DELI/PASTRY WITH COLD STORAGE AVAILABLE IN 47 1/4" H & 53 1/8" H



ROSA DELI/PASTRY NARROW AVAILABLE IN 47 1/4" H & 53 1/8" H

ROSA DELI/PASTRY NARROW WITH COLD STORAGE AVAILABLE IN 47 1/4" H & 53 1/8" H



*Oscartek reserves the right to change, modify, discontinue, or change any features, sizes, or capacity on any model without prior notice.



Discover the Art of Display...

Project Name: _____

Item #: _____ Quantity: _____

ROSA DELI/PASTRY SHOWCASE

MODELS: ROSA DP900, ROSA DP1000, ROSA DP1300, ROSA DP1500, ROSA DP1700, ROSA DP2000, ROSA DP2100, ROSA DP2600, ROSA DP3000, ROSA DPA90SQ, ROSA DPA90C

ROSA DELI/PASTRY						
TECHNICAL FEATURES		MODELS				
Model Name (Model Code)		ROSA DP900 (ROSARV90)	ROSA DP1000 (ROSARV100)	ROSA DP1300 (ROSARV130)	ROSA DP1500 (ROSARV150)	ROSA DP1700 (ROSARV170)
External Dimensions (L-D-H)	Inches	*35 9/16" - 32 5/16" - 47 1/4"	*39 1/2" - 32 5/16" - 47 1/4"	*51 5/16" - 32 5/16" - 47 1/4"	*59 3/16" - 32 5/16" - 47 1/4"	*67 1/16" - 32 5/16" - 47 1/4"
	MM	*903 - 821 - 1200	*1003 - 821 - 1200	*1303 - 821 - 1200	*1503 - 821 - 1200	*1703 - 821 - 1200
Crated Dimensions (L-D-H)	Inches	43 1/3" - 40 1/2" - 55 1/4"	46" - 40 1/2" - 55 1/4"	58" - 40 1/2" - 55 1/4"	66" - 40 1/2" - 55 1/4"	73" - 40 1/2" - 55 1/4"
	MM	1100 - 1030 - 1400	1168 - 1030 - 1400	1473 - 1030 - 1400	1676 - 1030 - 1400	1854 - 1030 - 1400
Refrigeration	Type	Fan Ventilated	Fan Ventilated	Fan Ventilated	Fan Ventilated	Fan Ventilated
Refrigeration Display Area	Type	Deck	Deck	Deck	Deck	Deck
Operating Temperature	°F	38°F to 41°F	38°F to 41°F	38°F to 41°F	38°F to 41°F	38°F to 41°F
Compressor	Nr./Type	1 / Hermetic	1 / Hermetic	1 / Hermetic	1 / Hermetic	1 / Hermetic
BTU'S @ +14°F Evap Temperature	BTU's	1500	1700	2200	2600	2900
Electric Supply	(V/Ph/Hz)	115/1/60	115/1/60	115/1/60	115/1/60	115/1/60
Power Consumption	(W/A)	550/5.2	550/5.2	650/5.9	710/6.7	850/8.1
Defrost	Mode/Type	Automatic	Automatic	Automatic	Automatic	Automatic
Climatic Class	°F/H.R.	75°F-55%RH	75°F-55%RH	75°F-55%RH	75°F-55%RH	75°F-55%RH
Refrigerant Gas	Type	R404A / R452A	R404A / R452A	R404A / R452A	R404A / R452A	R404A / R452A
Pipe Size (Inches)	Suction, Liquid	3/8" Suction, 1/4" Liquid	3/8" Suction, 1/4" Liquid	3/8" Suction, 1/4" Liquid	3/8" Suction, 1/4" Liquid	1/2" Suction, 1/4" Liquid
Net Weights	Lb	210	220	255	265	310
Crated Weights	Lb	361	370	456	466	566

*DIMENSIONS WITH POLISHED S/S SIDES

ROSA DELI/PASTRY					
TECHNICAL FEATURES		MODELS			
Model Name (Model Code)		ROSA DP2000 (ROSARV200)	ROSA DP2100 (ROSARV210)	ROSA DP2600 (ROSARV260)	ROSA DP3000 (ROSARV300)
External Dimensions (L-D-H)	Inches	*78 7/8" - 32 5/16" - 47 1/4"	*82 13/16" - 32 5/16" - 47 1/4"	*102 1/2" - 32 5/16" - 47 1/4"	*118 1/4" - 32 5/16" - 47 1/4"
	MM	*2003 - 821 - 1200	*2103 - 821 - 1200	*2603 - 821 - 1200	*3003 - 821 - 1200
Crated Dimensions (L-D-H)	Inches	85" - 40 1/2" - 55 1/4"	90 1/2" - 40 1/2" - 55 1/4"	109" - 40 1/2" - 55 1/4"	125" - 40 1/2" - 55 1/4"
	MM	2159 - 1030 - 1400	2300 - 1030 - 1400	2768 - 1030 - 1400	3175 - 1030 - 1400
Refrigeration	Type	Fan Ventilated	Fan Ventilated	Fan Ventilated	Fan Ventilated
Refrigeration Display Area	Type	Deck	Deck	Deck	Deck
Operating Temperature	°F	38°F to 41°F	38°F to 41°F	38°F to 41°F	38°F to 41°F
Compressor	Nr./Type	1 / Hermetic	1 / Hermetic	1 / Hermetic	1 / Hermetic
BTU'S @ +14°F Evap Temperature	BTU's	3300	3700	4200	5000
Electric Supply	(V/Ph/Hz)	115/1/60	115/1/60	115/1/60	115/1/60
Power Consumption	(W/A)	890/8.3	1150/10.9	1250/11.7	1450/13.9
Defrost	Mode/Type	Automatic	Automatic	Automatic	Automatic
Climatic Class	°F/H.R.	75°F-55%RH	75°F-55%RH	75°F-55%RH	75°F-55%RH
Refrigerant Gas	Type	R404A / R452A	R404A / R452A	R404A / R452A	R404A / R452A
Pipe Size (Inches)	Suction, Liquid	1/2" Suction, 1/4" Liquid	1/2" Suction, 1/4" Liquid	5/8" Suction, 5/16" Liquid	5/8" Suction, 5/16" Liquid
Net Weights	Lb	330	350	440	490
Crated Weights	Lb	645	654	744	794

*DIMENSIONS WITH POLISHED S/S SIDES

ROSA DELI/PASTRY			
TECHNICAL FEATURES		MODELS	
Model Name (Model Code)		ROSA DPA90SQ (ROSARVAP90SQ)	ROSA DPA90C (ROSARVAP90SF)
External Dimensions (L-D-H)	Inches	*51 1/4" - 32 5/16" - 47 1/4"	*78 1/8" - 32 5/16" - 47 1/4"
	MM	*1302 - 821 - 1200	*1984 - 821 - 1200
Crated Dimensions (L-D-H)	Inches	57" - 57" - 55 1/4"	87" - 40 1/2" - 55 1/4"
	MM	1447 - 1447 - 1400	2209 - 1030 - 1400
Refrigeration	Type	Fan Ventilated	Fan Ventilated
Refrigeration Display Area	Type	Deck	Deck
Operating Temperature	°F	38°F to 41°F	38°F to 41°F
Compressor	Nr./Type	1 / Hermetic	1 / Hermetic
BTU'S @ +14°F Evap Temperature	BTU's	3900	4200
Electric Supply	(V/Ph/Hz)	115/1/60	115/1/60
Power Consumption	(W/A)	1150/10.9	1150/10.9
Defrost	Mode/Type	Automatic	Automatic
Climatic Class	°F/H.R.	75°F-55%RH	75°F-55%RH
Refrigerant Gas	Type	R404A / R452A	R404A / R452A
Pipe Size (Inches)	Suction, Liquid	1/2" Suction, 1/4" Liquid	1/2" Suction, 1/4" Liquid
Net Weights	Lb	410	350
Crated Weights	Lb	728	654

*DIMENSIONS WITH POLISHED S/S SIDES

*Oscartek reserves the right to change, modify, discontinue, or change any features, sizes, or capacity on any model without prior notice.

OSCARTEK
 512 South Airport Blvd., South San Francisco, CA 94080
 Tel: 855.885.2400 | 650.342.2400 | Fax: 650.342.7400
 sales@oscartek.com | www.oscartek.com



ROSA CHOCOLATE SHOWCASE

STANDARD FEATURES

- Humidity control
- Extra clear glass: front, top, and sides glasses with front air baffle
- Diffused LED lighting 3000°K
- Sliding acrylic back doors
- Stainless steel lower interior foam tub
- Galvanized chassis structure
- All tempered glass
- Cases ship standard unfinished front and stainless steel skin sides



Photo shown with front finish by others. Standard cases are unfinished front with stainless steel skin sides.

OPTIONS

- Available in 53 1/8"H with non-refrigerated shelf
- Narrow depth 25 7/16"D
- Lift up top glass
- Lift up mechanism for display plate and evaporator (linear models only)
- Work top perimeter (brushed s/s, corian, black HPL, granite)
- Stainless steel step shelf
- Cold storage
- Remote condensing unit
- RAL color finish/wood laminate front and side panels
- Epoxy RAL color interior over stainless steel
- Unfinished panels to accept custom millwork by others
- Heated pan for evaporator
- Casters



Visit our website for more finishing options and RAL colors
www.oscartek.com

ROSA CHOCOLATE						
TECHNICAL FEATURES		MODELS				
		ROSA C900	ROSA C1000	ROSA C1300	ROSA C1500	ROSA C1700
External Dimensions (L-D-H)	Inches	*35 9/16" - 32 5/16" - 47 1/4"	*39 1/2" - 32 5/16" - 47 1/4"	*51 5/16" - 32 5/16" - 47 1/4"	*59 3/16" - 32 5/16" - 47 1/4"	*67 1/16" - 32 5/16" - 47 1/4"
	MM	*903 - 821 - 1200	*1003 - 821 - 1200	*1303 - 821 - 1200	*1503 - 821 - 1200	*1703 - 821 - 1200
Crated Dimensions (L-D-H)	Inches	43 1/3" - 40 1/2" - 55 1/4"	46" - 40 1/2" - 55 1/4"	58" - 40 1/2" - 55 1/4"	66" - 40 1/2" - 55 1/4"	73" - 40 1/2" - 55 1/4"
	MM	1100 - 1030 - 1400	1168 - 1030 - 1400	1473 - 1030 - 1400	1676 - 1030 - 1400	1854 - 1030 - 1400
Refrigeration	Type	Fan Ventilated	Fan Ventilated	Fan Ventilated	Fan Ventilated	Fan Ventilated
Refrigeration Display Area	Type	Deck	Deck	Deck	Deck	Deck
Operating Temperature	°F	55°F	55°F	55°F	55°F	55°F
Compressor	Nr./Type	1 / Hermetic	1 / Hermetic	1 / Hermetic	1 / Hermetic	1 / Hermetic
BTU'S @ +35°F Evap Temperature	BTU's	1500	1700	2200	2600	2900
Electric Supply	(V/Ph/Hz)	208-220/1/60	208-220/1/60	208-220/1/60	208-220/1/60	208-220/1/60
Power Consumption	(W/A)	550/5.2	550/5.2	650/5.9	710/6.7	850/8.1
Defrost	Mode/Type	Automatic	Automatic	Automatic	Automatic	Automatic
Climatic Class	°F/H.R.	75°F-55%RH	75°F-55%RH	75°F-55%RH	75°F-55%RH	75°F-55%RH
Refrigerant Gas	Type	R404A / R452A	R404A / R452A	R404A / R452A	R404A / R452A	R404A / R452A
Pipe Size (Inches)	Suction, Liquid	3/8" Suction, 1/4" Liquid	3/8" Suction, 1/4" Liquid	3/8" Suction, 1/4" Liquid	3/8" Suction, 1/4" Liquid	1/2" Suction, 1/4" Liquid
Net Weights	Lb	210	220	255	265	310
Crated Weights	Lb	361	370	456	466	566

*DIMENSIONS WITH POLISHED S/S SKIN SIDES

*Factory in its effort to upgrade and improve our products, has the right to change, modify, discontinue or change any feature, size or capacity on any model without prior notice.



512 South Airport Blvd., South San Francisco, CA 94080
 Tel: 855.885.2400 | 650.342.2400 | Fax: 650.342.7400
sales@oscartek.com | www.oscartek.com



ROSA CHOCOLATE SHOWCASE

ROSA CHOCOLATE					
TECHNICAL FEATURES		MODELS			
		ROSA C2000	ROSA C2100	ROSA C2600	ROSA C3000
External Dimensions (L-D-H)	Inches	*78 7/8" - 32 5/16" - 47 1/4"	*82 13/16" - 32 5/16" - 47 1/4"	*102 1/2" - 32 5/16" - 47 1/4"	*118 1/4" - 32 5/16" - 47 1/4"
Inches-MM	MM	*2003 - 821 - 1200	*2103 - 821 - 1200	*2603 - 821 - 1200	*3003 - 821 - 1200
Crated Dimensions (L-D-H)	Inches	85" - 40 1/2" - 55 1/4"	90 1/2" - 40 1/2" - 55 1/4"	109" - 40 1/2" - 55 1/4"	125" - 40 1/2" - 55 1/4"
Inches-MM	MM	2159 - 1030 - 1400	2300 - 1030 - 1400	2768 - 1030 - 1400	3175 - 1030 - 1400
Refrigeration	Type	Fan Ventilated	Fan Ventilated	Fan Ventilated	Fan Ventilated
Refrigeration Display Area	Type	Deck	Deck	Deck	Deck
Operating Temperature	°F	55°F	55°F	55°F	55°F
Compressor	Nr./Type	1 / Hermetic	1 / Hermetic	1 / Hermetic	1 / Hermetic
BTU'S @ +35°F Evap Temperature	BTU's	3300	3700	4200	5000
Electric Supply	(V/Ph/Hz)	208-220/1/60	208-220/1/60	208-220/1/60	208-220/1/60
Power Consumption	(W/A)	890/8.3	1150/10.9	1250/11.7	1450/13.9
Defrost	Mode/Type	Automatic	Automatic	Automatic	Automatic
Climatic Class	°F/H.R.	75°F-55%RH	75°F-55%RH	75°F-55%RH	75°F-55%RH
Refrigerant Gas	Type	R404A / R452A	R404A / R452A	R404A / R452A	R404A / R452A
Pipe Size (Inches)	Suction, Liquid	1/2" Suction, 1/4" Liquid	1/2" Suction, 1/4" Liquid	5/8" Suction, 5/16" Liquid	5/8" Suction, 5/16" Liquid
Net Weights	Lb	330	350	440	490
Crated Weights	Lb	645	654	744	794

*DIMENSIONS WITH POLISHED S/S SKIN SIDES

ROSA CHOCOLATE			
TECHNICAL FEATURES		MODELS	
		ROSA CA90SQ	ROSA CA90C
External Dimensions (L-D-H)	Inches	*51 1/4" - 32 5/16" - 47 1/4"	*78 1/8" - 32 5/16" - 47 1/4"
Inches-MM	MM	*1302 - 821 - 1200	*1984 - 821 - 1200
Crated Dimensions (L-D-H)	Inches	57" - 57" - 55 1/4"	87" - 40 1/2" - 55 1/4"
Inches-MM	MM	1447 - 1447 - 1400	2209 - 1030 - 1400
Refrigeration	Type	Fan Ventilated	Fan Ventilated
Refrigeration Display Area	Type	Deck	Deck
Operating Temperature	°F	55°F	55°F
Compressor	Nr./Type	1 / Hermetic	1 / Hermetic
BTU'S @ +35°F Evap Temperature	BTU's	3900	4200
Electric Supply	(V/Ph/Hz)	208-220/1/60	208-220/1/60
Power Consumption	(W/A)	1150/10.9	1150/10.9
Defrost	Mode/Type	Automatic	Automatic
Climatic Class	°F/H.R.	75°F-55%RH	75°F-55%RH
Refrigerant Gas	Type	R404A / R452A	R404A / R452A
Pipe Size (Inches)	Suction, Liquid	1/2" Suction, 1/4" Liquid	1/2" Suction, 1/4" Liquid
Net Weights	Lb	410	350
Crated Weights	Lb	728	654

*DIMENSIONS WITH POLISHED S/S SKIN SIDES

*Factory in its effort to upgrade and improve our products, has the right to change, modify, discontinue or change any feature, size or capacity on any model without prior notice.



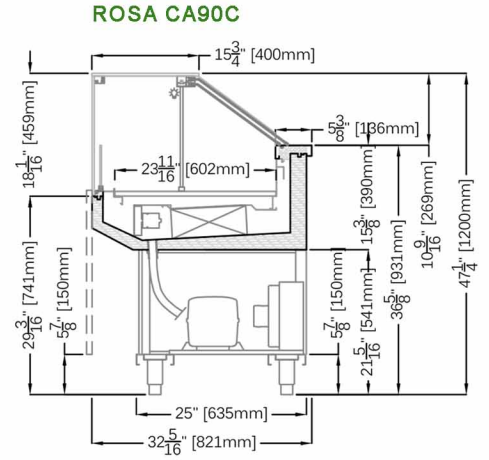
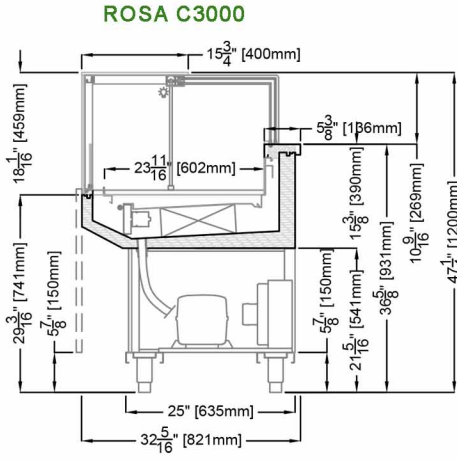
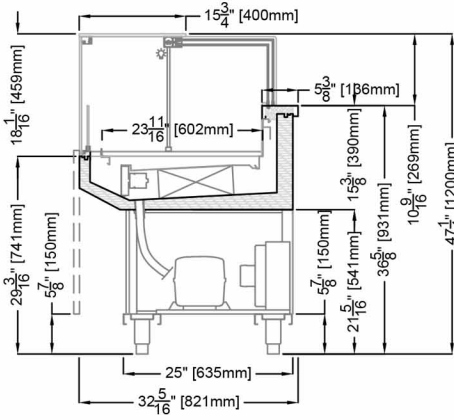
512 South Airport Blvd., South San Francisco, CA 94080
 Tel: 855.885.2400 | 650.342.2400 | Fax: 650.342.7400
 sales@oscartek.com | www.oscartek.com



ROSA CHOCOLATE SHOWCASE

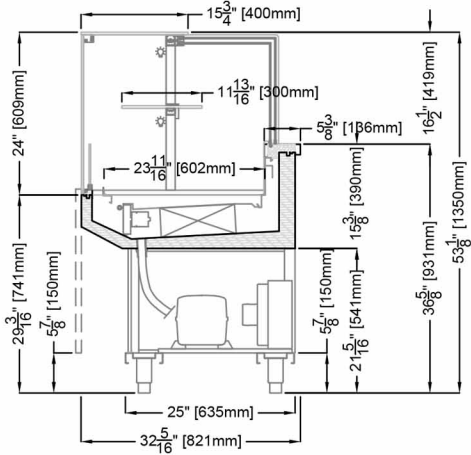
SECTION VIEWS: ROSA C900, C1000, C1300, C1500, C2000, C2100, C2600, C3000, CA90SQ, CA90C

ALL ROSA CHOCOLATE
LINEAR MODELS + CA90SQ
(EXCEPT FOR ROSA C3000)

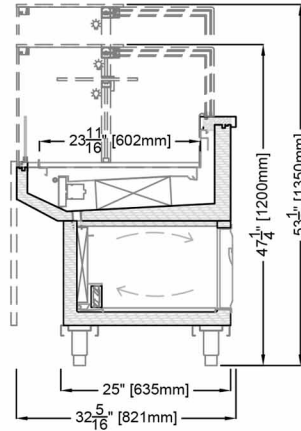


OPTIONAL:

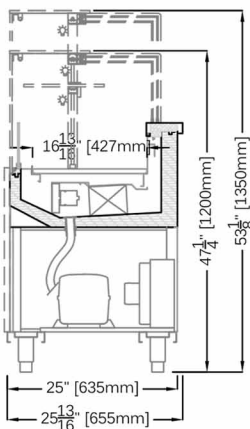
ROSA CHOCOLATE - AVAILABLE IN
53 1/8" H WITH NON-REFRIGERATED SHELF



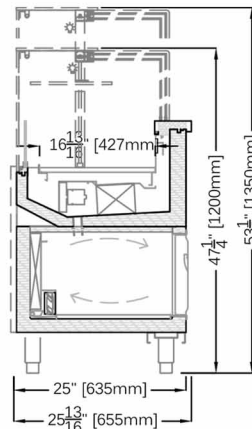
ROSA CHOCOLATE WITH COLD STORAGE
AVAILABLE IN 47 1/4" H & 53 1/8" H



ROSA CHOCOLATE NARROW
AVAILABLE IN 47 1/4" H & 53 1/8" H



ROSA CHOCOLATE NARROW WITH COLD STORAGE
AVAILABLE IN 47 1/4" H & 53 1/8" H



*Factory in its effort to upgrade and improve our products, has the right to change, modify, discontinue or change any feature, size or capacity on any model without prior notice.



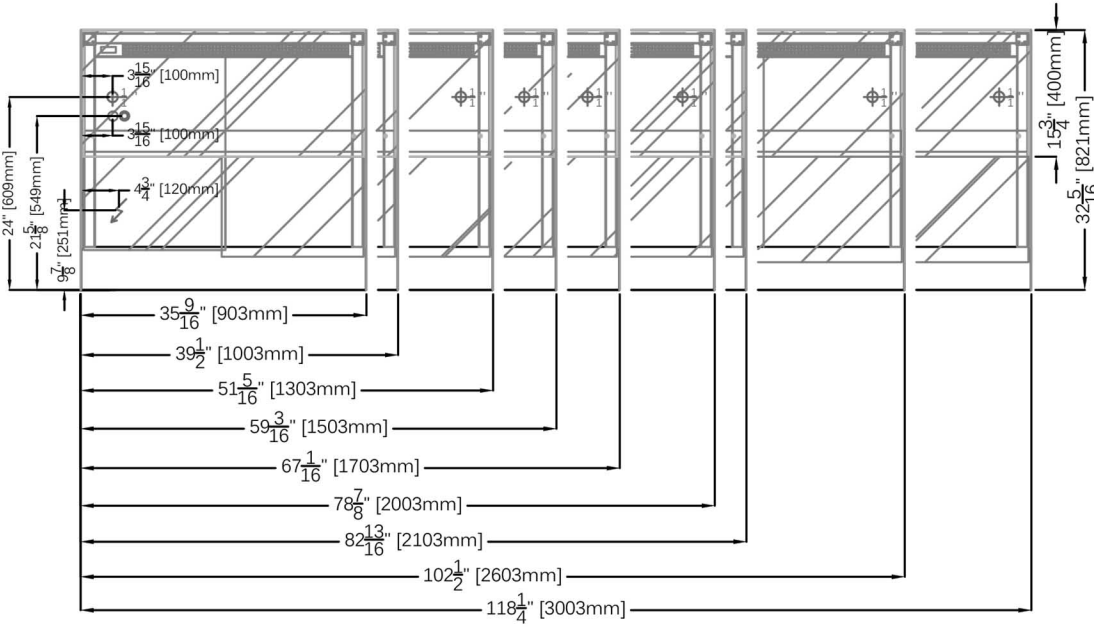
512 South Airport Blvd., South San Francisco, CA 94080
Tel: 855.885.2400 | 650.342.2400 | Fax: 650.342.7400
sales@oscartek.com | www.oscartek.com



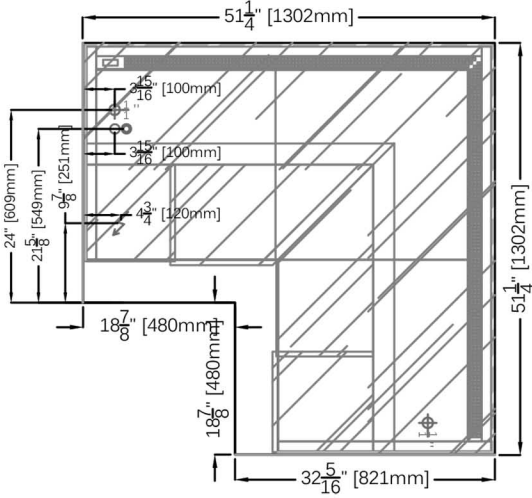
ROSA CHOCOLATE SHOWCASE

PLAN VIEWS: ROSA C900, C1000, C1300, C1500, C1700, C2000, C2100, C2600, C3000, CA90SQ, CA90C

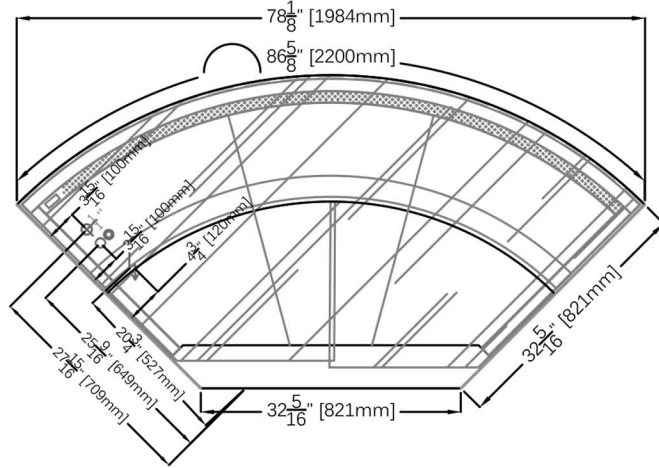
ROSA CHOCOLATE LINEAR MODELS



ROSA CA90SQ



ROSA CA90C



ELECTRICAL LEGEND

	REFRIGERATED LINES
	DRAIN
	POWER

*Factory in its effort to upgrade and improve our products, has the right to change, modify, discontinue or change any feature, size or capacity on any model without prior notice.



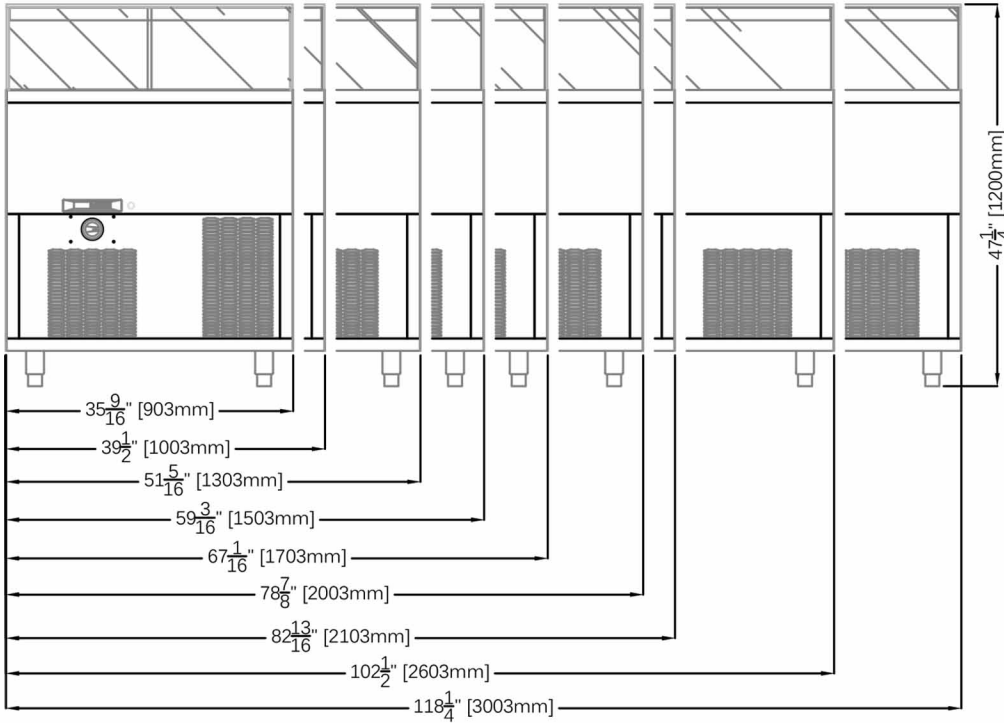
512 South Airport Blvd., South San Francisco, CA 94080
 Tel: 855.885.2400 | 650.342.2400 | Fax: 650.342.7400
 sales@oscartek.com | www.oscartek.com



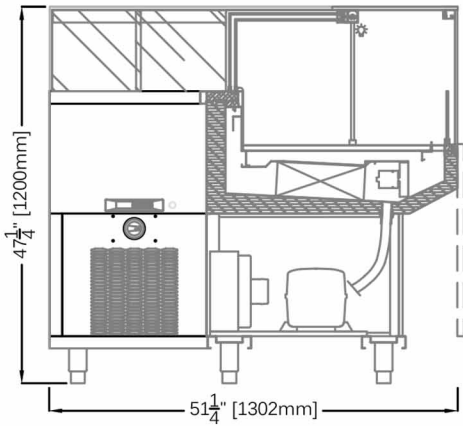
ROSA CHOCOLATE SHOWCASE

REAR ELEVATIONS (OPERATOR SIDE): SHOWN WITH OPTIONAL REAR VENTILATION ON LINEAR MODELS
 ROSA C900, C1000, C1300, C1500, C1700, C2000, C2100, C2600, C3000, CA90SQ, CA90C

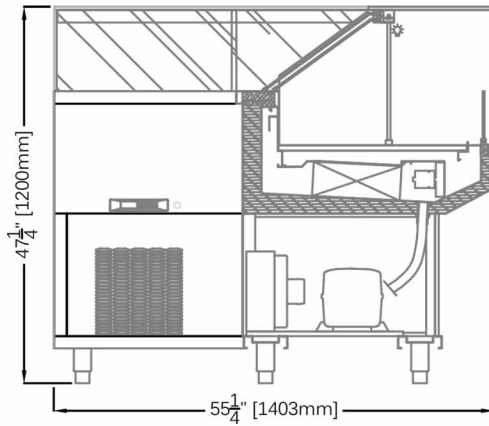
ROSA CHOCOLATE LINEAR MODELS



ROSA CA90SQ



ROSA CA90C



*Factory in its effort to upgrade and improve our products, has the right to change, modify, discontinue or change any feature, size or capacity on any model without prior notice.



512 South Airport Blvd., South San Francisco, CA 94080
 Tel: 855.885.2400 | 650.342.2400 | Fax: 650.342.7400
 sales@oscartek.com | www.oscartek.com



ROSA CHEESE & CHARCUTERIE SHOWCASE

STANDARD FEATURES

- Extra clear glass: front and top glasses with front air baffle
- Heated glass sides
- Diffused LED lighting 3000°K
- Sliding acrylic back doors
- Stainless steel lower interior foam tub
- Galvanized chassis structure
- All tempered glass
- Cases ship standard unfinished front and stainless steel skin sides

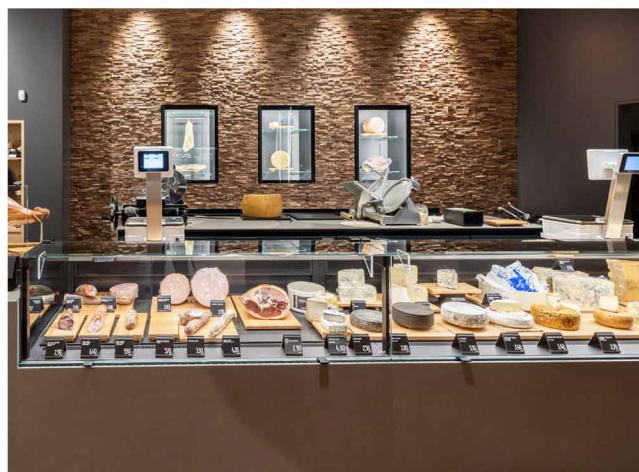


Photo shown with optional RAL color finish. Standard cases are unfinished front with stainless steel skin sides.

OPTIONS

- Available in 53 1/8"H with non-refrigerated shelf
- Narrow depth 25 7/16"D
- Lift up top glass
- Lift up mechanism for display plate and evaporator (linear models only)
- Work top perimeter (brushed s/s, corian, black HPL, granite)
- Stainless steel step shelf
- Cold storage
- Remote condensing unit
- RAL color finish/wood laminate front and side panels
- Epoxy RAL color interior over stainless steel
- Unfinished panels to accept custom millwork by others
- Heated pan for evaporator
- Casters



Visit our website for more finishing options and RAL colors
www.oscartek.com

ROSA CHEESE & CHARCUTERIE						
TECHNICAL FEATURES		MODELS				
		ROSA CC900	ROSA CC1000 (ROSACCR43912)	ROSA CC1300	ROSA CC1500 (ROSACCR45912)	ROSA CC1700
External Dimensions (L-D-H)	Inches	*35 9/16" - 32 5/16" - 47 1/4"	*39 1/2" - 32 5/16" - 47 1/4"	*51 5/16" - 32 5/16" - 47 1/4"	*59 3/16" - 32 5/16" - 47 1/4"	*67 1/16" - 32 5/16" - 47 1/4"
	MM	*903 - 821 - 1200	*1003 - 821 - 1200	*1303 - 821 - 1200	*1503 - 821 - 1200	*1703 - 821 - 1200
Crated Dimensions (L-D-H)	Inches	43 1/3" - 40 1/2" - 55 1/4"	46" - 40 1/2" - 55 1/4"	58" - 40 1/2" - 55 1/4"	66" - 40 1/2" - 55 1/4"	73" - 40 1/2" - 55 1/4"
	MM	1100 - 1030 - 1400	1168 - 1030 - 1400	1473 - 1030 - 1400	1676 - 1030 - 1400	1854 - 1030 - 1400
Refrigeration	Type	Fan Ventilated	Fan Ventilated	Fan Ventilated	Fan Ventilated	Fan Ventilated
Refrigeration Display Area	Type	Deck	Deck	Deck	Deck	Deck
Operating Temperature	°F	39°F	39°F	39°F	39°F	39°F
Compressor	Nr./Type	1 / Hermetic	1 / Hermetic	1 / Hermetic	1 / Hermetic	1 / Hermetic
BTU'S @ +14°F Evap Temperature	BTU's	2000	2100	2700	3200	3400
Electric Supply	(V/Ph/Hz)	115/1/60	115/1/60	115/1/60	115/1/60	115/1/60
Power Consumption	(W/A)	550/5.2	550/5.2	650/5.9	710/6.7	850/8.1
Defrost	Mode/Type	Automatic	Automatic	Automatic	Automatic	Automatic
Climatic Class	°F/H.R.	75°F-55%RH	75°F-55%RH	75°F-55%RH	75°F-55%RH	75°F-55%RH
Refrigerant Gas	Type	R404A / R452A	R404A / R452A	R404A / R452A	R404A / R452A	R404A / R452A
Pipe Size (Inches)	Suction, Liquid	3/8" Suction, 1/4" Liquid	3/8" Suction, 1/4" Liquid	3/8" Suction, 1/4" Liquid	1/2" Suction, 1/4" Liquid	1/2" Suction, 1/4" Liquid
Net Weights	Lb	240	260	279	320	350
Crated Weights	Lb	350	370	410	466	512

*DIMENSIONS WITH POLISHED S/S SKIN SIDES

*Factory in its effort to upgrade and improve our products, has the right to change, modify, discontinue or change any feature, size or capacity on any model without prior notice.



512 South Airport Blvd., South San Francisco, CA 94080
 Tel: 855.885.2400 | 650.342.2400 | Fax: 650.342.7400
sales@oscartek.com | www.oscartek.com



ROSA CHEESE & CHARCUTERIE SHOWCASE

ROSA CHEESE & CHARCUTERIE					
TECHNICAL FEATURES		MODELS			
		ROSA CC2000 (ROSACCR47912)	ROSA CC2100	ROSA CC2600 (ROSACCR410212)	ROSA CC3000 (ROSACCR411812)
External Dimensions (L-D-H)	Inches	*78 7/8" - 32 5/16" - 47 1/4"	*82 13/16" - 32 5/16" - 47 1/4"	*102 1/2" - 32 5/16" - 47 1/4"	*118 1/4" - 32 5/16" - 47 1/4"
Inches-MM	MM	*2003 - 821 - 1200	*2103 - 821 - 1200	*2603 - 821 - 1200	*3003 - 821 - 1200
Crated Dimensions (L-D-H)	Inches	85" - 40 1/2" - 55 1/4"	90 1/2" - 40 1/2" - 55 1/4"	109" - 40 1/2" - 55 1/4"	125" - 40 1/2" - 55 1/4"
Inches-MM	MM	2159 - 1030 - 1400	2300 - 1030 - 1400	2768 - 1030 - 1400	3175 - 1030 - 1400
Refrigeration	Type	Fan Ventilated	Fan Ventilated	Fan Ventilated	Fan Ventilated
Refrigeration Display Area	Type	Deck	Deck	Deck	Deck
Operating Temperature	°F	39°F	39°F	39°F	39°F
Compressor	Nr./Type	1 / Hermetic	1 / Hermetic	1 / Hermetic	1 / Hermetic
BTU'S @ +14°F Evap Temperature	BTU's	4000	4400	4800	5500
Electric Supply	(V/Ph/Hz)	115/1/60	115/1/60	115/1/60	115/1/60
Power Consumption	(W/A)	1350/12.9	1400/13.0	1500/14.2	1750/17.5
Defrost	Mode/Type	Automatic	Automatic	Automatic	Automatic
Climatic Class	°F/H.R.	75°F-55%RH	75°F-55%RH	75°F-55%RH	75°F-55%RH
Refrigerant Gas	Type	R404A / R452A	R404A / R452A	R404A / R452A	R404A / R452A
Pipe Size (Inches)	Suction, Liquid	1/2" Suction, 1/4" Liquid	5/8" Suction, 5/16" Liquid	5/8" Suction, 5/16" Liquid	5/8" Suction, 5/16" Liquid
Net Weights	Lb	380	420	459	550
Crated Weights	Lb	540	610	650	730

*DIMENSIONS WITH POLISHED S/S SKIN SIDES

ROSA CHEESE & CHARCUTERIE			
TECHNICAL FEATURES		MODELS	
		ROSA CCA90SQ (ROSACCR4AP9012)	ROSA CCA90C
External Dimensions (L-D-H)	Inches	*51 1/4" - 32 5/16" - 47 1/4"	*78 1/8" - 32 5/16" - 47 1/4"
Inches-MM	MM	*1302 - 821 - 1200	*1984 - 821 - 1200
Crated Dimensions (L-D-H)	Inches	57" - 57" - 55 1/4"	87" - 40 1/2" - 55 1/4"
Inches-MM	MM	1447 - 1447 - 1400	2209 - 1030 - 1400
Refrigeration	Type	Fan Ventilated	Fan Ventilated
Refrigeration Display Area	Type	Deck	Deck
Operating Temperature	°F	39°F	39°F
Compressor	Nr./Type	1 / Hermetic	1 / Hermetic
BTU'S @ +14°F Evap Temperature	BTU's	4800	5400
Electric Supply	(V/Ph/Hz)	115/1/60	115/1/60
Power Consumption	(W/A)	1500/14.2	1500/14.2
Defrost	Mode/Type	Automatic	Automatic
Climatic Class	°F/H.R.	75°F-55%RH	75°F-55%RH
Refrigerant Gas	Type	R404A / R452A	R404A / R452A
Pipe Size (Inches)	Suction, Liquid	5/8" Suction, 5/16" Liquid	1/2" Suction, 1/4" Liquid
Net Weights	Lb	380	380
Crated Weights	Lb	540	540

*DIMENSIONS WITH POLISHED S/S SKIN SIDES

*Factory in its effort to upgrade and improve our products, has the right to change, modify, discontinue or change any feature, size or capacity on any model without prior notice.



512 South Airport Blvd., South San Francisco, CA 94080
 Tel: 855.885.2400 | 650.342.2400 | Fax: 650.342.7400
 sales@oscartek.com | www.oscartek.com

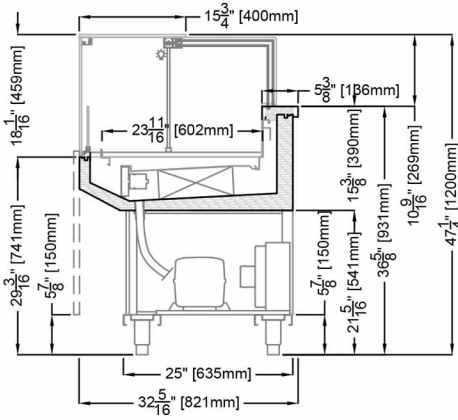


ROSA CHEESE & CHARCUTERIE SHOWCASE

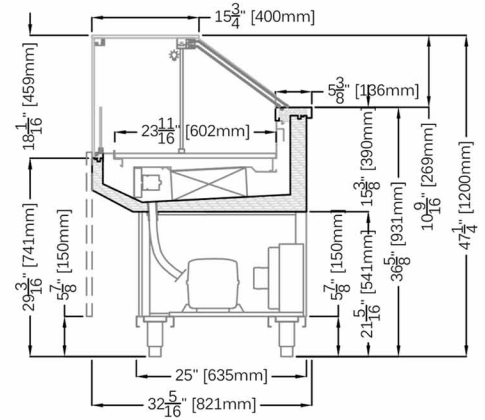
SECTION VIEWS: ROSA CC900, CC1000, CC1300, CC1500, CC2000, CC2100, CC2600, CC3000, CCA90SQ, CCA90C

**ALL ROSA CHEESE & CHARCUTERIE
LINEAR MODELS + CCA90SQ
(EXCEPT FOR ROSA CC3000)**

ROSA CC3000

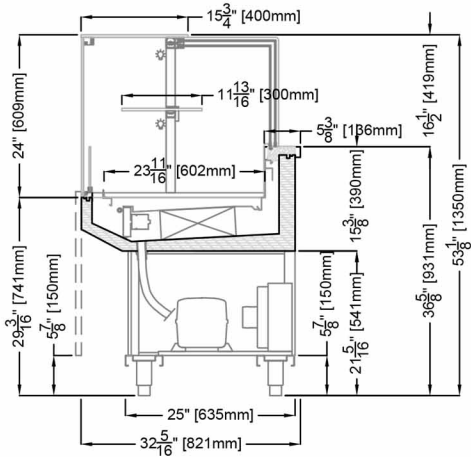


ROSA CCA90C

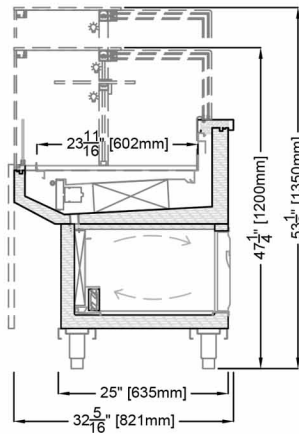


OPTIONAL:

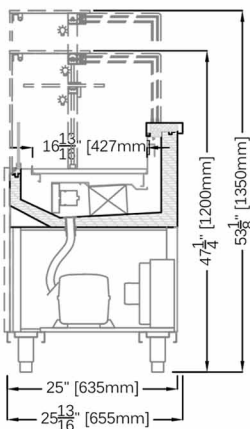
**ROSA CHEESE & CHARCUTERIE - AVAILABLE IN
53 1/8"H WITH NON-REFRIGERATED SHELF**



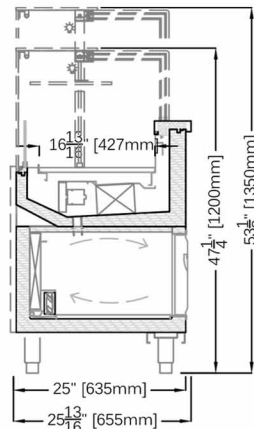
**ROSA CHEESE & CHARCUTERIE WITH COLD STORAGE
AVAILABLE IN 47 1/4"H & 53 1/8"H**



**ROSA CHEESE & CHARCUTERIE NARROW
AVAILABLE IN 47 1/4"H & 53 1/8"H**



**ROSA CHEESE & CHARCUTERIE NARROW WITH COLD STORAGE
AVAILABLE IN 47 1/4"H & 53 1/8"H**



*Factory in its effort to upgrade and improve our products, has the right to change, modify, discontinue or change any feature, size or capacity on any model without prior notice.



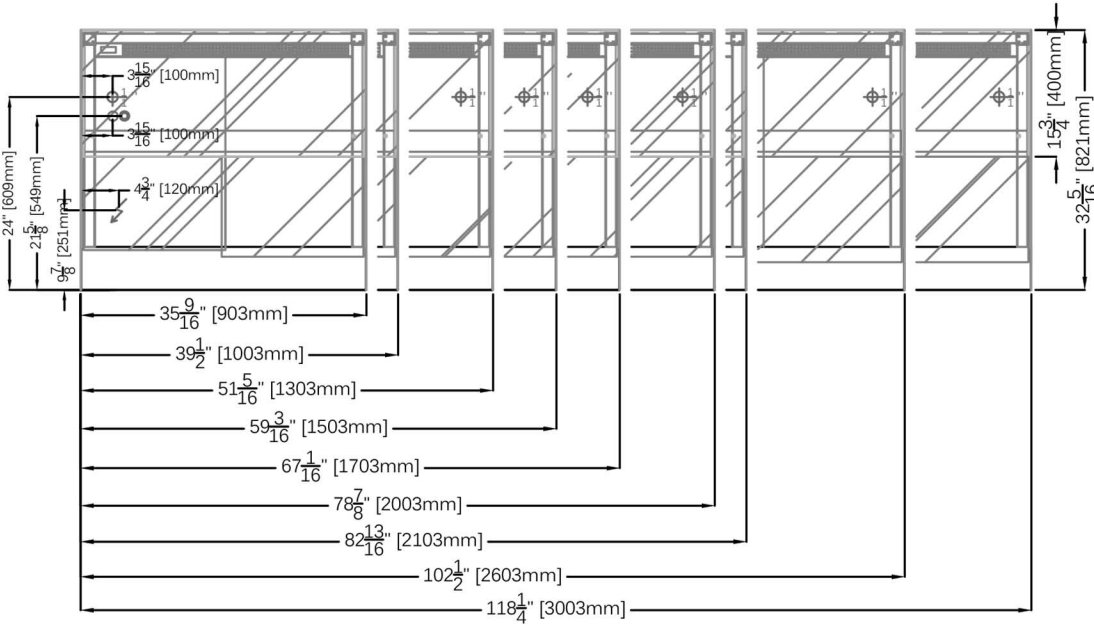
512 South Airport Blvd., South San Francisco, CA 94080
Tel: 855.885.2400 | 650.342.2400 | Fax: 650.342.7400
sales@oscartek.com | www.oscartek.com



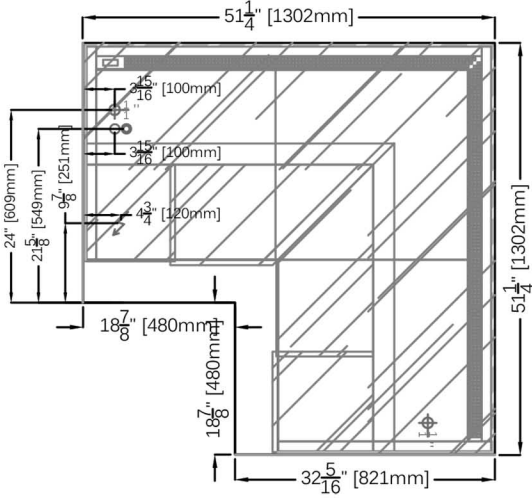
ROSA CHEESE & CHARCUTERIE SHOWCASE

PLAN VIEWS: ROSA CC900, CC1000, CC1300, CC1500, CC1700, CC2000, CC2100, CC2600, CC3000, CCA90SQ, CCA90C

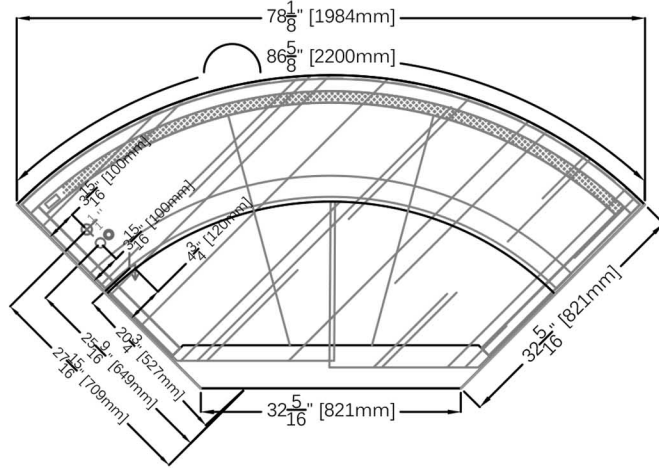
ROSA CHEESE & CHARCUTERIE LINEAR MODELS



ROSA CCA90SQ



ROSA CCA90C



ELECTRICAL LEGEND

	REFRIGERATED LINES
	DRAIN
	POWER

*Factory in its effort to upgrade and improve our products, has the right to change, modify, discontinue or change any feature, size or capacity on any model without prior notice.



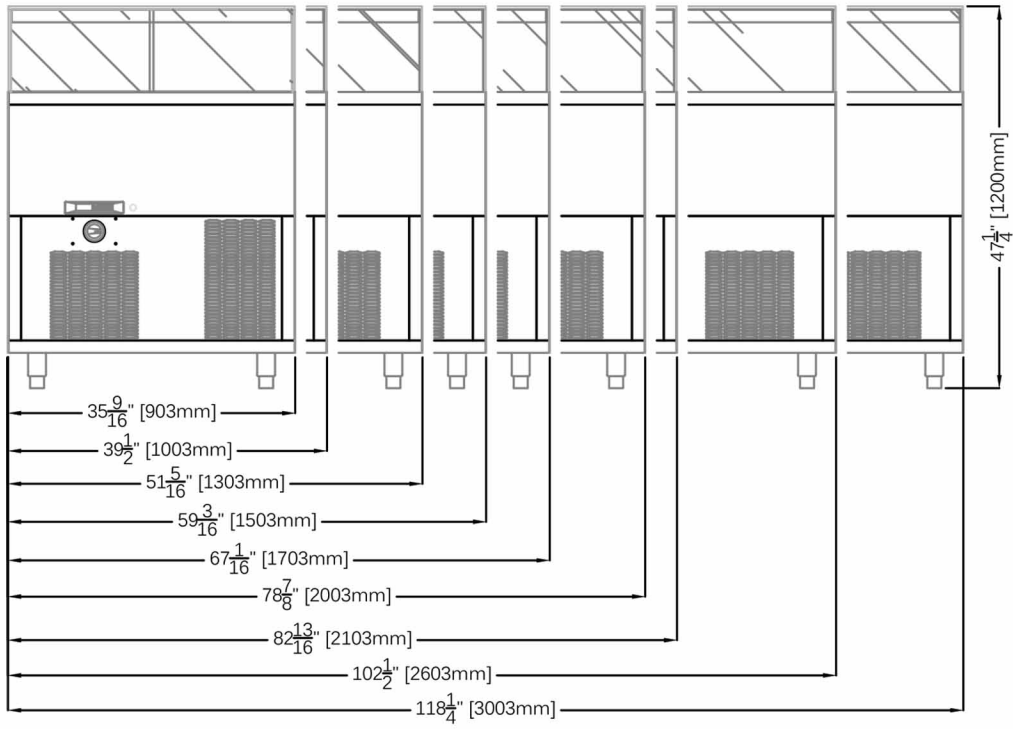
512 South Airport Blvd., South San Francisco, CA 94080
 Tel: 855.885.2400 | 650.342.2400 | Fax: 650.342.7400
 sales@oscartek.com | www.oscartek.com



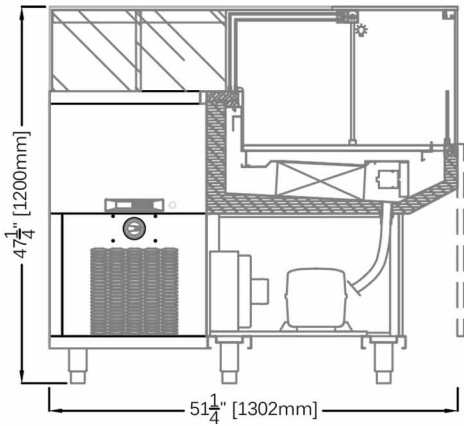
ROSA CHEESE & CHARCUTERIE SHOWCASE

REAR ELEVATIONS (OPERATOR SIDE): SHOWN WITH OPTIONAL REAR VENTILATION ON LINEAR MODELS
 ROSA CC900, CC1000, CC1300, CC1500, CC1700, CC2000, CC2100, CC2600, CC3000, CCA90SQ, CCA90C

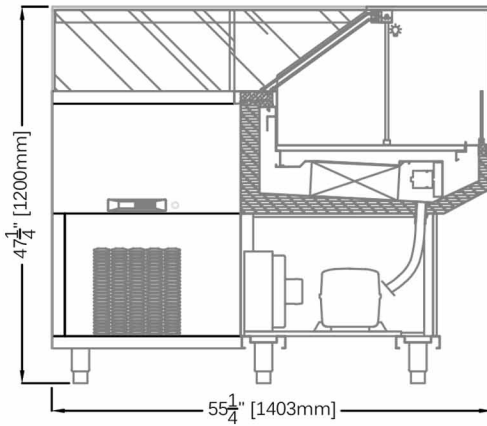
ROSA CHEESE & CHARCUTERIE LINEAR MODELS



ROSA CCA90SQ



ROSA CCA90C



*Factory in its effort to upgrade and improve our products, has the right to change, modify, discontinue or change any feature, size or capacity on any model without prior notice.



512 South Airport Blvd., South San Francisco, CA 94080
 Tel: 855.885.2400 | 650.342.2400 | Fax: 650.342.7400
 sales@oscartek.com | www.oscartek.com



ROSA RED MEAT SHOWCASE

STANDARD FEATURES

- Extra clear glass: front and top glasses with front air baffle
- Heated glass sides
- Diffused LED lighting 3000°K
- Sliding acrylic back doors
- Stainless steel lower interior foam tub
- Galvanized chassis structure
- All tempered glass
- Cases ship standard unfinished front and stainless steel skin sides



Photo shown with front and side finish by others. Standard cases are unfinished front with stainless steel skin sides.

OPTIONS

- Available in 53 1/8"H with non-refrigerated shelf
- Narrow depth 25 7/16"D
- Lift up top glass
- Lift up mechanism for display plate and evaporator (linear models only)
- Work top perimeter (brushed s/s, corian, black HPL, granite)
- Stainless steel step shelf
- Remote condensing unit
- RAL color finish/wood laminate front and side panels
- Epoxy RAL color interior over stainless steel
- Unfinished panels to accept custom millwork by others
- Heated pan for evaporator
- Casters



Visit our website for more finishing options and RAL colors
www.oscartek.com

ROSA RED MEAT						
TECHNICAL FEATURES		MODELS				
		ROSA RM900	ROSA RM1000 (ROSAMR43912)	ROSA RM1300	ROSA RM1500 (ROSAMR45912)	ROSA RM1700
External Dimensions (L-D-H)	Inches	*35 9/16" - 32 5/16" - 47 1/4"	*39 1/2" - 32 5/16" - 47 1/4"	*51 5/16" - 32 5/16" - 47 1/4"	*59 3/16" - 32 5/16" - 47 1/4"	*67 1/16" - 32 5/16" - 47 1/4"
	Inches-MM	*903 - 821 - 1200	*1003 - 821 - 1200	*1303 - 821 - 1200	*1503 - 821 - 1200	*1703 - 821 - 1200
Crated Dimensions (L-D-H)	Inches	43 1/3" - 40 1/2" - 55 1/4"	46" - 40 1/2" - 55 1/4"	58" - 40 1/2" - 55 1/4"	66" - 40 1/2" - 55 1/4"	73" - 40 1/2" - 55 1/4"
	Inches-MM	1100 - 1030 - 1400	1168 - 1030 - 1400	1473 - 1030 - 1400	1676 - 1030 - 1400	1854 - 1030 - 1400
Refrigeration	Type	Fan Ventilated	Fan Ventilated	Fan Ventilated	Fan Ventilated	Fan Ventilated
Refrigeration Display Area	Type	Deck	Deck	Deck	Deck	Deck
Operating Temperature	°F	39°F	39°F	39°F	39°F	39°F
Compressor	Nr./Type	1 / Hermetic	1 / Hermetic	1 / Hermetic	1 / Hermetic	1 / Hermetic
BTU'S @ +14°F Evap Temperature	BTU's	2000	2100	2700	3200	3400
Electric Supply	(V/Ph/Hz)	115/1/60	115/1/60	115/1/60	115/1/60	115/1/60
Power Consumption	(W/A)	700/7.0	750/7.1	850/8.1	1150/10.9	1200/11.0
Defrost	Mode/Type	Automatic	Automatic	Automatic	Automatic	Automatic
Climatic Class	°F/H.R.	75°F-55%RH	75°F-55%RH	75°F-55%RH	75°F-55%RH	75°F-55%RH
Refrigerant Gas	Type	R404A / R452A	R404A / R452A	R404A / R452A	R404A / R452A	R404A / R452A
Pipe Size (Inches)	Suction, Liquid	3/8" Suction, 1/4" Liquid	3/8" Suction, 1/4" Liquid	3/8" Suction, 1/4" Liquid	1/2" Suction, 1/4" Liquid	3/8" Suction, 1/4" Liquid
Net Weights	Lb	240	260	279	320	350
Crated Weights	Lb	350	370	410	466	512

*DIMENSIONS WITH POLISHED S/S SKIN SIDES

*Factory in its effort to upgrade and improve our products, has the right to change, modify, discontinue or change any feature, size or capacity on any model without prior notice.



512 South Airport Blvd., South San Francisco, CA 94080
 Tel: 855.885.2400 | 650.342.2400 | Fax: 650.342.7400
 sales@oscartek.com | www.oscartek.com



ROSA RED MEAT SHOWCASE

ROSA RED MEAT					
TECHNICAL FEATURES		MODELS			
		ROSA RM2000 (ROSAMR47912)	ROSA RM2100	ROSA RM2600 (ROSAMR410212)	ROSA RM3000 (ROSAMR411812)
External Dimensions (L-D-H)	Inches	*78 7/8" - 32 5/16" - 47 1/4"	*82 13/16" - 32 5/16" - 47 1/4"	*102 1/2" - 32 5/16" - 47 1/4"	*118 1/4" - 32 5/16" - 47 1/4"
	Inches-MM	*2003 - 821 - 1200	*2103 - 821 - 1200	*2603 - 821 - 1200	*3003 - 821 - 1200
Crated Dimensions (L-D-H)	Inches	85" - 40 1/2" - 55 1/4"	90 1/2" - 40 1/2" - 55 1/4"	109" - 40 1/2" - 55 1/4"	125" - 40 1/2" - 55 1/4"
	Inches-MM	2159 - 1030 - 1400	2300 - 1030 - 1400	2768 - 1030 - 1400	3175 - 1030 - 1400
Refrigeration	Type	Fan Ventilated	Fan Ventilated	Fan Ventilated	Fan Ventilated
Refrigeration Display Area	Type	Deck	Deck	Deck	Deck
Operating Temperature	°F	39°F	39°F	39°F	39°F
Compressor	Nr./Type	1 / Hermetic	1 / Hermetic	1 / Hermetic	1 / Hermetic
BTU'S @ +14°F Evap Temperature	BTU's	4000	4400	4800	5500
Electric Supply	(V/Ph/Hz)	115/1/60	115/1/60	115/1/60	115/1/60
Power Consumption	(W/A)	1350/12.9	1400/13.0	1500/14.2	1750/17.5
Defrost	Mode/Type	Automatic	Automatic	Automatic	Automatic
Climatic Class	°F/H.R.	75°F-55%RH	75°F-55%RH	75°F-55%RH	75°F-55%RH
Refrigerant Gas	Type	R404A / R452A	R404A / R452A	R404A / R452A	R404A / R452A
Pipe Size (Inches)	Suction, Liquid	5/8" Suction, 5/16" Liquid	5/8" Suction, 5/16" Liquid	5/8" Suction, 5/16" Liquid	5/8" Suction, 5/16" Liquid
Net Weights	Lb	380	420	459	550
Crated Weights	Lb	540	610	650	730

*DIMENSIONS WITH POLISHED S/S SKIN SIDES

ROSA RED MEAT			
TECHNICAL FEATURES		MODELS	
		ROSA RMA90SQ (ROSAMR4AP9012)	ROSA RMA90C
External Dimensions (L-D-H)	Inches	*51 1/4" - 32 5/16" - 47 1/4"	*78 1/8" - 32 5/16" - 47 1/4"
	Inches-MM	*1302 - 821 - 1200	*1984 - 821 - 1200
Crated Dimensions (L-D-H)	Inches	57" - 57" - 55 1/4"	87" - 40 1/2" - 55 1/4"
	Inches-MM	1447 - 1447 - 1400	2209 - 1030 - 1400
Refrigeration	Type	Fan Ventilated	Fan Ventilated
Refrigeration Display Area	Type	Deck	Deck
Operating Temperature	°F	39°F	39°F
Compressor	Nr./Type	1 / Hermetic	1 / Hermetic
BTU'S @ +14°F Evap Temperature	BTU's	4800	5400
Electric Supply	(V/Ph/Hz)	115/1/60	115/1/60
Power Consumption	(W/A)	1500/14.2	1500/14.2
Defrost	Mode/Type	Automatic	Automatic
Climatic Class	°F/H.R.	75°F-55%RH	75°F-55%RH
Refrigerant Gas	Type	R404A / R452A	R404A / R452A
Pipe Size (Inches)	Suction, Liquid	5/8" Suction, 5/16" Liquid	5/8" Suction, 5/16" Liquid
Net Weights	Lb	380	380
Crated Weights	Lb	540	540

*DIMENSIONS WITH POLISHED S/S SKIN SIDES

*Factory in its effort to upgrade and improve our products, has the right to change, modify, discontinue or change any feature, size or capacity on any model without prior notice.



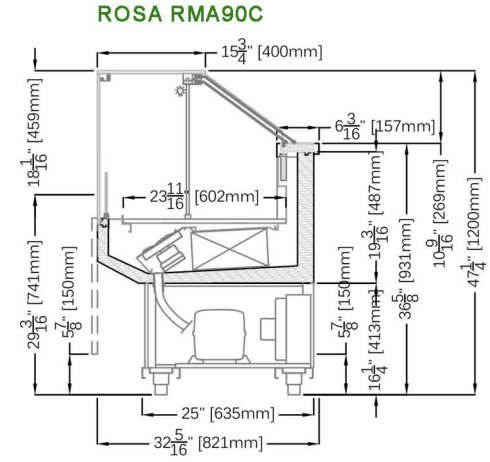
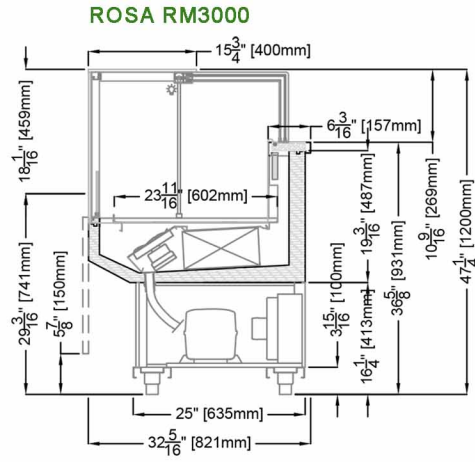
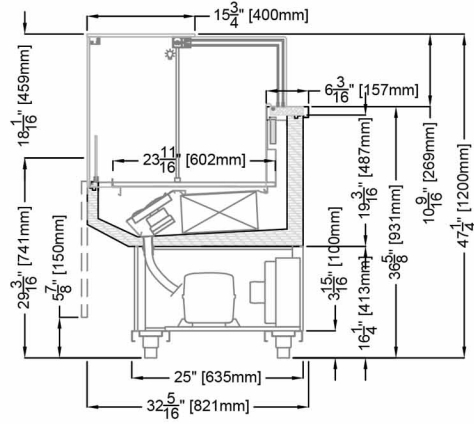
512 South Airport Blvd., South San Francisco, CA 94080
 Tel: 855.885.2400 | 650.342.2400 | Fax: 650.342.7400
 sales@oscartek.com | www.oscartek.com



ROSA RED MEAT SHOWCASE

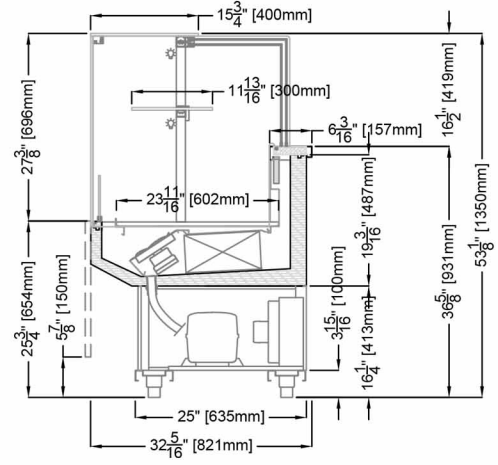
SECTION VIEWS: ROSA RM900, RM1000, RM1300, RM1500, RM2000, RM2100, RM2600, RM3000, RMA90SQ, RMA90C

**ALL ROSA RED MEAT
LINEAR MODELS + RMA90SQ
(EXCEPT FOR ROSA RM3000)**



OPTIONAL:

**ROSA RED MEAT -
AVAILABLE IN 53 1/8"H WITH NON-REFRIGERATED SHELF**



*Factory in its effort to upgrade and improve our products, has the right to change, modify, discontinue or change any feature, size or capacity on any model without prior notice.



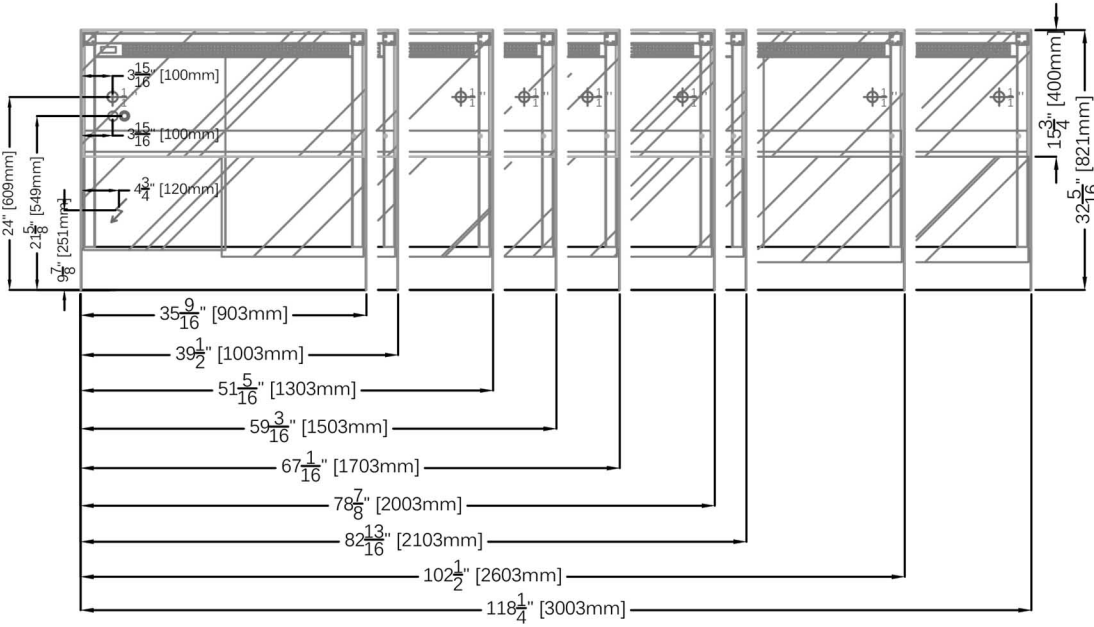
512 South Airport Blvd., South San Francisco, CA 94080
 Tel: 855.885.2400 | 650.342.2400 | Fax: 650.342.7400
 sales@oscartek.com | www.oscartek.com



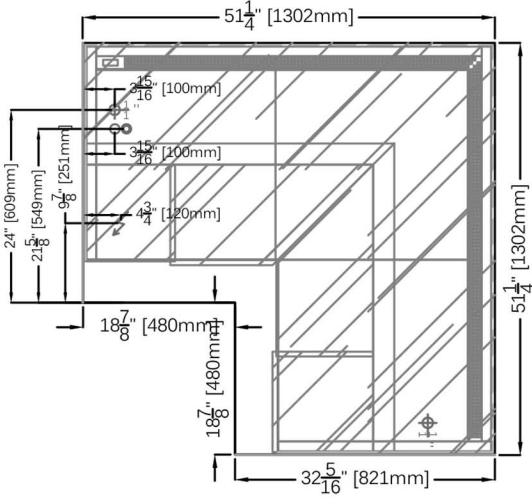
ROSA RED MEAT SHOWCASE

PLAN VIEWS: ROSA RM900, RM1000, RM1300, RM1500, RM1700, RM2000, RM2100, RM2600, RM3000, RMA90SQ, RMA90C

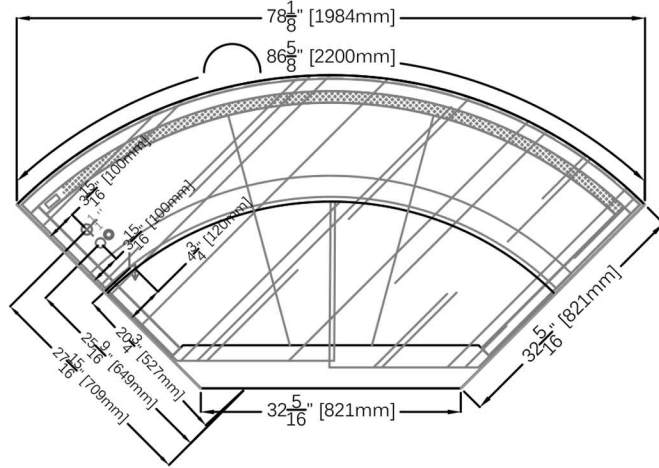
ROSA RED MEAT LINEAR MODELS






ROSA RMA90SQ



ROSA RMA90C



ELECTRICAL LEGEND

	REFRIGERATED LINES
	DRAIN
	POWER

*Factory in its effort to upgrade and improve our products, has the right to change, modify, discontinue or change any feature, size or capacity on any model without prior notice.



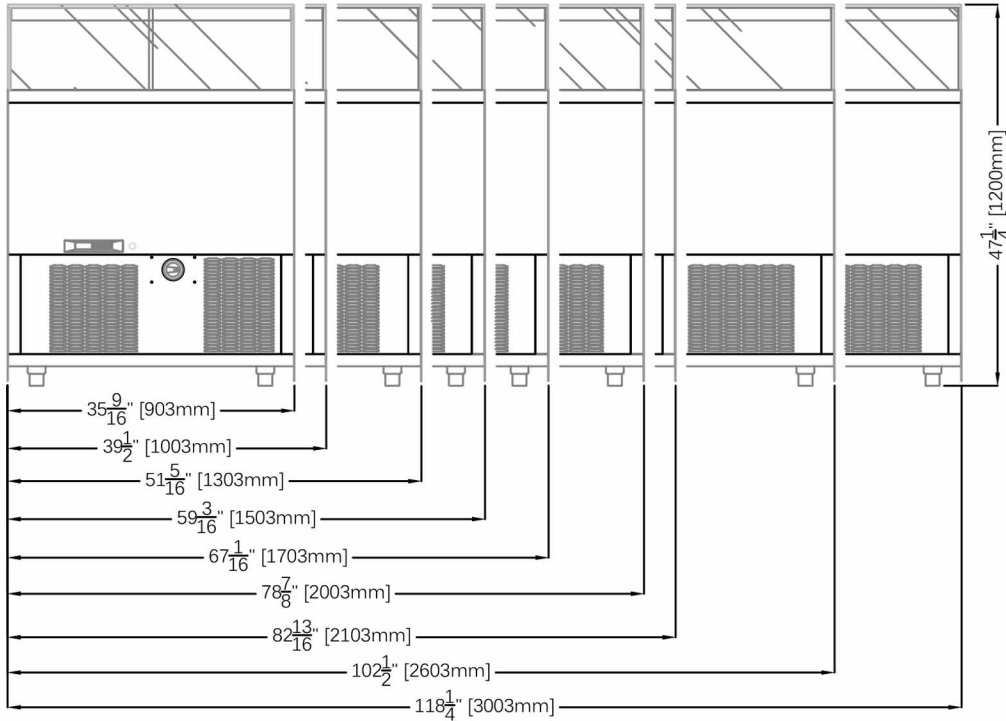
512 South Airport Blvd., South San Francisco, CA 94080
 Tel: 855.885.2400 | 650.342.2400 | Fax: 650.342.7400
 sales@oscartek.com | www.oscartek.com



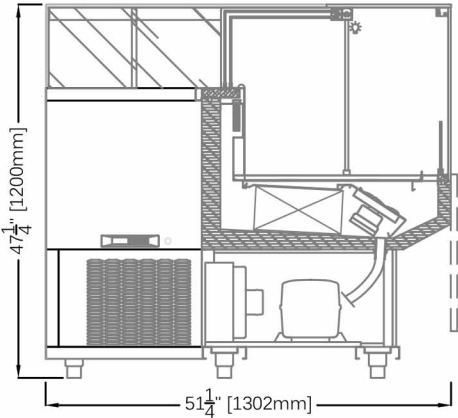
ROSA RED MEAT SHOWCASE

REAR ELEVATIONS (OPERATOR SIDE): SHOWN WITH OPTIONAL REAR VENTILATION ON LINEAR MODELS
 ROSA RM900, RM1000, RM1300, RM1500, RM1700, RM2000, RM2100, RM2600, RM3000, RMA90SQ, RMA90C

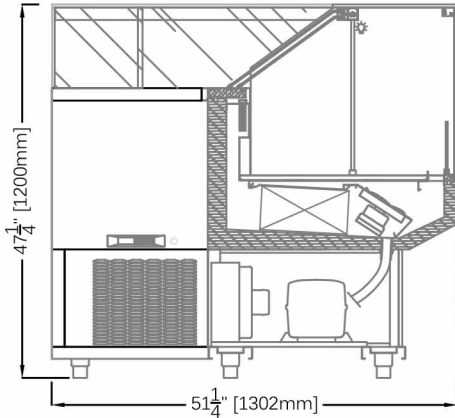
ROSA RED MEAT LINEAR MODELS



ROSA RMA90SQ



ROSA RMA90C



*Factory in its effort to upgrade and improve our products, has the right to change, modify, discontinue or change any feature, size or capacity on any model without prior notice.



512 South Airport Blvd., South San Francisco, CA 94080
 Tel: 855.885.2400 | 650.342.2400 | Fax: 650.342.7400
 sales@oscartek.com | www.oscartek.com



ROSA FISH SHOWCASE

STANDARD FEATURES

- Extra clear glass: front, top, and sides glasses
- Diffused LED lighting 3000°K
- Sliding acrylic back doors
- Stainless steel cold wall static cooling insulated bin to retain ice
- Insulated stainless steel interior AISI 316 anti-corrosion
- Floor sink required
- All tempered glass
- Cases ship standard unfinished front and stainless steel skin sides



Photo shown with optional G1 glass top and stone work top. Standard cases are R4 glass top and brushed s/s work top.

OPTIONS

- Available in 53 1/8"H with non-refrigerated shelf
- Narrow depth 25 7/16"D
- Lift up top glass
- Work top perimeter (brushed s/s, corian, black HPL, granite)
- Remote condensing unit
- RAL color finish/wood laminate front and side panels
- Unfinished panels to accept custom millwork by others
- Casters



Visit our website for more finishing options and RAL colors
www.oscartek.com

ROSA FISH						
TECHNICAL FEATURES		MODELS				
		ROSA F900	ROSA F1000 (ROSAFR43912)	ROSA F1300	ROSA F1500 (ROSAFR45912)	ROSA F1700
External Dimensions (L-D-H)	Inches	*35 9/16" - 32 5/16" - 47 1/4"	*39 1/2" - 32 5/16" - 47 1/4"	*51 5/16" - 32 5/16" - 47 1/4"	*59 3/16" - 32 5/16" - 47 1/4"	*67 1/16" - 32 5/16" - 47 1/4"
	Inches-MM	*903 - 821 - 1200	*1003 - 821 - 1200	*1303 - 821 - 1200	*1503 - 821 - 1200	*1703 - 821 - 1200
Crated Dimensions (L-D-H)	Inches	43 1/3" - 40 1/2" - 55 1/4"	46" - 40 1/2" - 55 1/4"	58" - 40 1/2" - 55 1/4"	66" - 40 1/2" - 55 1/4"	73" - 40 1/2" - 55 1/4"
	Inches-MM	1100 - 1030 - 1400	1168 - 1030 - 1400	1473 - 1030 - 1400	1676 - 1030 - 1400	1854 - 1030 - 1400
Operating Temperature	°F	36°F	36°F	36°F	36°F	36°F
Compressor	Nr./Type	1 / Hermetic	1 / Hermetic	1 / Hermetic	1 / Hermetic	1 / Hermetic
BTU'S @ +3°F Evap Temperature	BTU's	2000	2100	2700	3200	3400
Electric Supply	(V/Ph/Hz)	115/1/60	115/1/60	115/1/60	115/1/60	115/1/60
Power Consumption	(W/A)	450/4.4	550/5.2	650/5.4	850/8.1	890/8.3
Climatic Class	°F/H.R.	75°F-55%RH	75°F-55%RH	75°F-55%RH	75°F-55%RH	75°F-55%RH
Refrigerant Gas	Type	R404A / R452A	R404A / R452A	R404A / R452A	R404A / R452A	R404A / R452A
Pipe Size (Inches)	Suction, Liquid	3/8" Suction, 1/4" Liquid	3/8" Suction, 1/4" Liquid	3/8" Suction, 1/4" Liquid	1/2" Suction, 1/4" Liquid	1/2" Suction, 1/4" Liquid
Net Weights	Lb	240	260	279	320	350
Crated Weights	Lb	350	370	410	466	512

*DIMENSIONS WITH POLISHED S/S SKIN SIDES

*Factory in its effort to upgrade and improve our products, has the right to change, modify, discontinue or change any feature, size or capacity on any model without prior notice.



512 South Airport Blvd., South San Francisco, CA 94080
 Tel: 855.885.2400 | 650.342.2400 | Fax: 650.342.7400
sales@oscartek.com | www.oscartek.com



ROSA FISH SHOWCASE

ROSA FISH					
TECHNICAL FEATURES		MODELS			
		ROSA F2000 (ROSAFR47912)	ROSA F2100	ROSA F2600	ROSA F3000
External Dimensions (L-D-H)	Inches	*78 7/8" - 32 5/16" - 47 1/4"	*82 13/16" - 32 5/16" - 47 1/4"	*102 1/2" - 32 5/16" - 47 1/4"	*118 1/4" - 32 5/16" - 47 1/4"
	Inches-MM	*2003 - 821 - 1200	*2103 - 821 - 1200	*2603 - 821 - 1200	*3003 - 821 - 1200
Crated Dimensions (L-D-H)	Inches	85" - 40 1/2" - 55 1/4"	90 1/2" - 40 1/2" - 55 1/4"	109" - 40 1/2" - 55 1/4"	125" - 40 1/2" - 55 1/4"
	Inches-MM	2159 - 1030 - 1400	2300 - 1030 - 1400	2768 - 1030 - 1400	3175 - 1030 - 1400
Operating Temperature	°F	36°F	36°F	36°F	36°F
Compressor	Nr./Type	1 / Hermetic	1 / Hermetic	1 / Hermetic	1 / Hermetic
BTU'S @ +3°F Evap Temperature	BTU's	4000	4400	4800	5500
Electric Supply	(V/Ph/Hz)	115/1/60	115/1/60	115/1/60	115/1/60
Power Consumption	(W/A)	1350/12.9	1400/13.0	1500/14.2	1750/17.5
Climatic Class	°F/H.R.	75°F-55%RH	75°F-55%RH	75°F-55%RH	75°F-55%RH
Refrigerant Gas	Type	R404A / R452A	R404A / R452A	R404A / R452A	R404A / R452A
Pipe Size (Inches)	Suction, Liquid	1/2" Suction, 1/4" Liquid	1/2" Suction, 1/4" Liquid	1/2" Suction, 1/4" Liquid	1/2" Suction, 1/4" Liquid
Net Weights	Lb	380	420	459	550
Crated Weights	Lb	540	610	650	730

*DIMENSIONS WITH POLISHED S/S SKIN SIDES

ROSA FISH			
TECHNICAL FEATURES		MODELS	
		ROSA FA90SQ (ROSAFR4AP9012)	ROSA FA90C
External Dimensions (L-D-H)	Inches	*51 1/4" - 32 5/16" - 47 1/4"	*78 1/8" - 32 5/16" - 47 1/4"
	Inches-MM	*1302 - 821 - 1200	*1984 - 821 - 1200
Crated Dimensions (L-D-H)	Inches	57" - 57" - 55 1/4"	87" - 40 1/2" - 55 1/4"
	Inches-MM	1447 - 1447 - 1400	2209 - 1030 - 1400
Operating Temperature	°F	36°F	36°F
Compressor	Nr./Type	1 / Hermetic	1 / Hermetic
BTU'S @ +3°F Evap Temperature	BTU's	4800	5400
Electric Supply	(V/Ph/Hz)	115/1/60	115/1/60
Power Consumption	(W/A)	1500/14.2	1500/14.2
Climatic Class	°F/H.R.	75°F-55%RH	75°F-55%RH
Refrigerant Gas	Type	R404A / R452A	R404A / R452A
Pipe Size (Inches)	Suction, Liquid	1/2" Suction, 1/4" Liquid	1/2" Suction, 1/4" Liquid
Net Weights	Lb	380	380
Crated Weights	Lb	540	540

*DIMENSIONS WITH POLISHED S/S SKIN SIDES

*Factory in its effort to upgrade and improve our products, has the right to change, modify, discontinue or change any feature, size or capacity on any model without prior notice.



512 South Airport Blvd., South San Francisco, CA 94080
 Tel: 855.885.2400 | 650.342.2400 | Fax: 650.342.7400
 sales@oscartek.com | www.oscartek.com



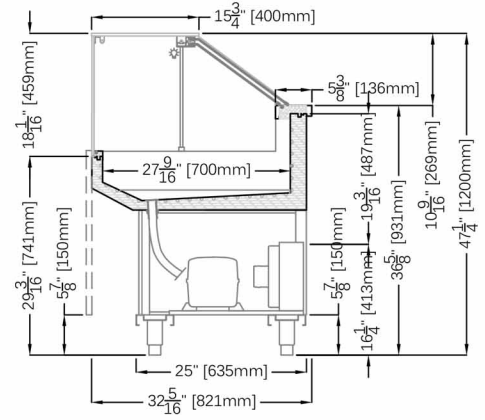
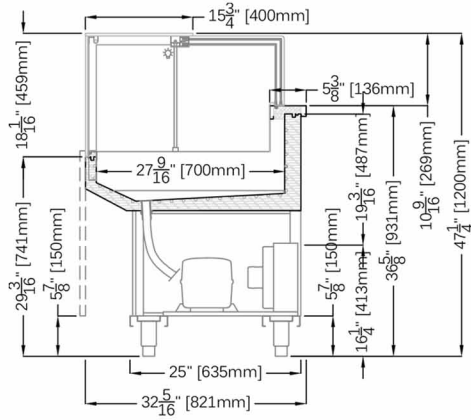
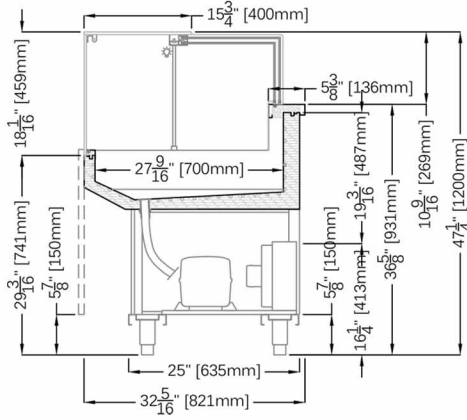
ROSA FISH SHOWCASE

SECTION VIEWS: ROSA F900, F1000, F1300, F1500, F2000, F2100, F2600, F3000, FA90SQ, FA90C

**ALL ROSA FISH
LINEAR MODELS + FA90SQ
(EXCEPT FOR ROSA F3000)**

ROSA F3000

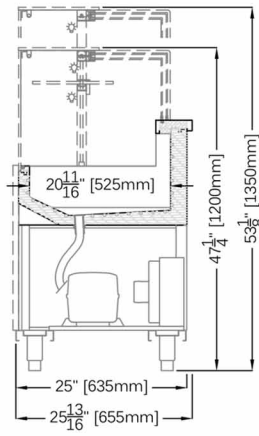
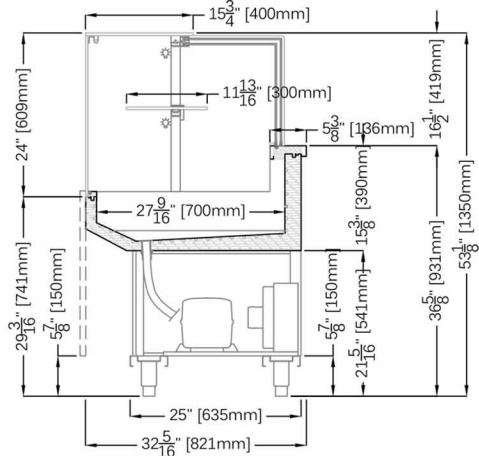
ROSA FA90C



OPTIONAL:

**ROSA FISH - AVAILABLE IN
53 1/8"H WITH NON-REFRIGERATED SHELF**

**ROSA FISH NARROW
AVAILABLE IN 47 1/4"H & 53 1/8"H**



*Factory in its effort to upgrade and improve our products, has the right to change, modify, discontinue or change any feature, size or capacity on any model without prior notice.



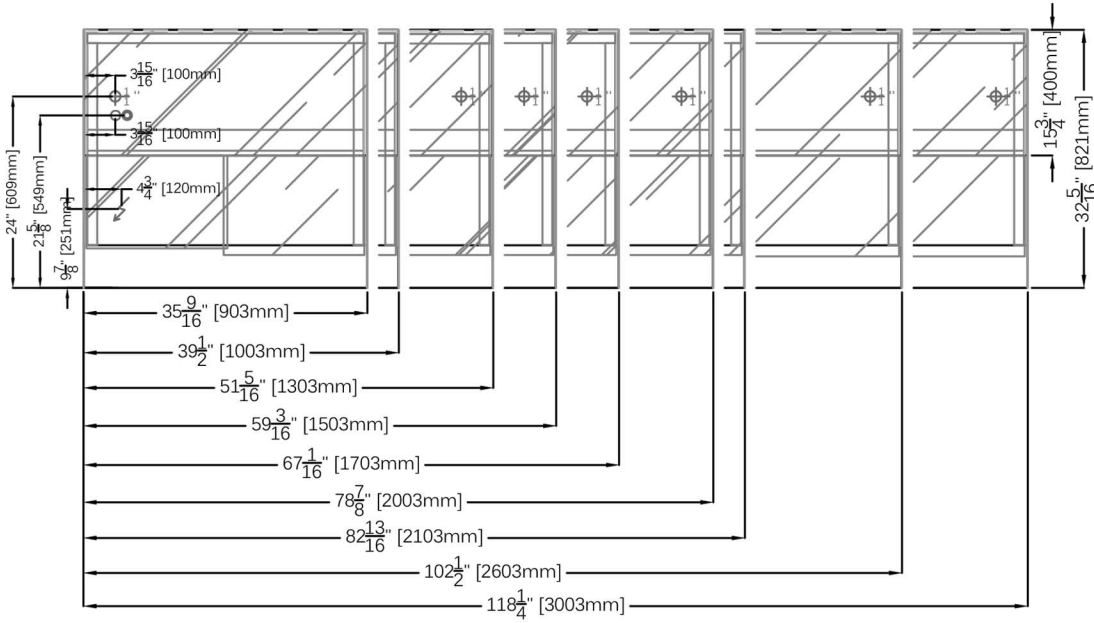
512 South Airport Blvd., South San Francisco, CA 94080
 Tel: 855.885.2400 | 650.342.2400 | Fax: 650.342.7400
 sales@oscartek.com | www.oscartek.com



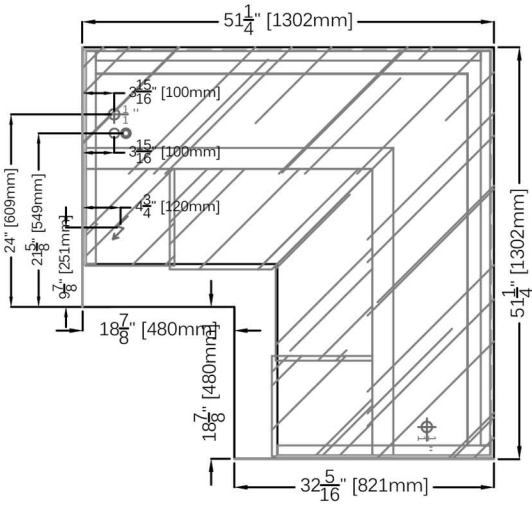
ROSA FISH SHOWCASE

PLAN VIEWS: ROSA F900, F1000, F1300, F1500, F1700, F2000, F2100, F2600, F3000, FA90SQ, FA90C

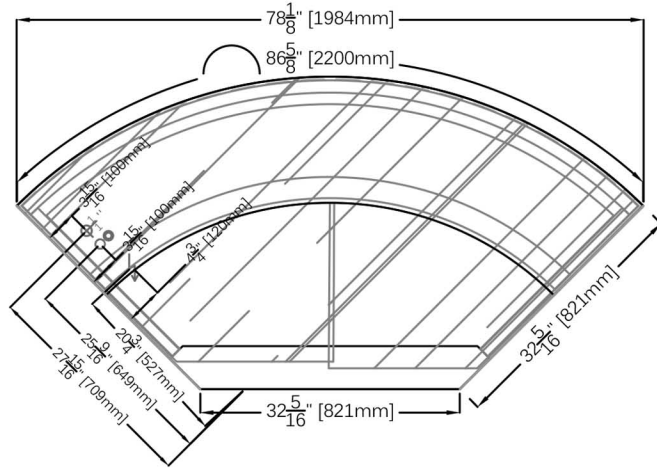
ROSA FISH LINEAR MODELS



ROSA FA90SQ



ROSA FA90C



ELECTRICAL LEGEND

	REFRIGERATED LINES
	DRAIN
	POWER

*Factory in its effort to upgrade and improve our products, has the right to change, modify, discontinue or change any feature, size or capacity on any model without prior notice.



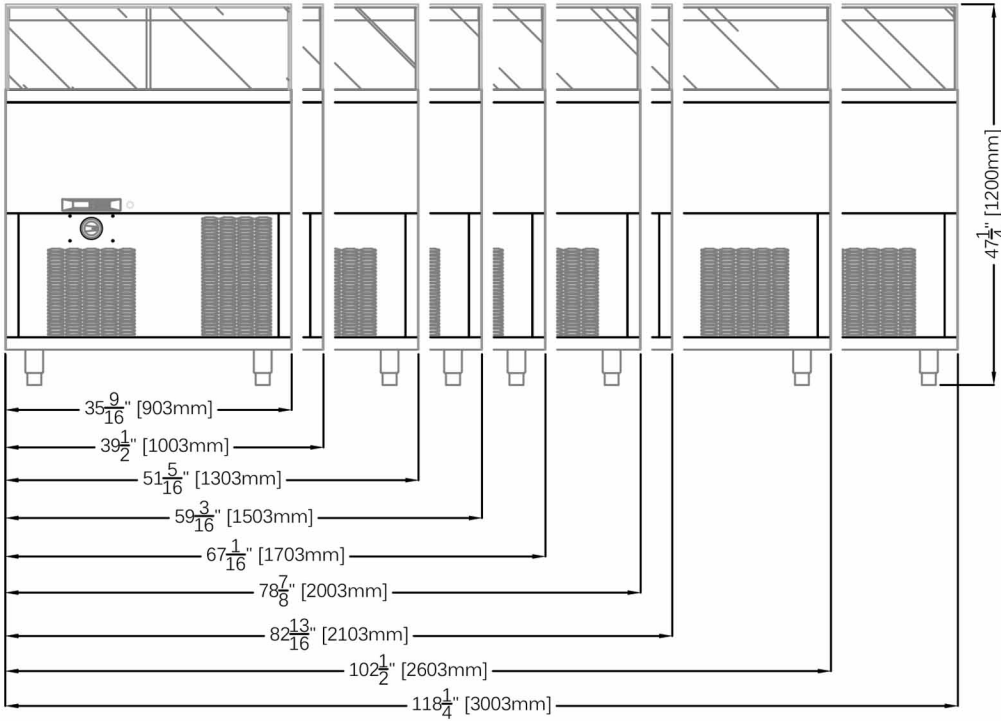
512 South Airport Blvd., South San Francisco, CA 94080
 Tel: 855.885.2400 | 650.342.2400 | Fax: 650.342.7400
 sales@oscartek.com | www.oscartek.com



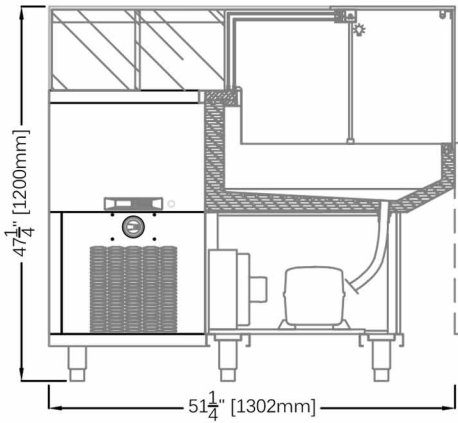
ROSA FISH SHOWCASE

REAR ELEVATIONS (OPERATOR SIDE): SHOWN WITH OPTIONAL REAR VENTILATION ON LINEAR MODELS
 ROSA F900, F1000, F1300, F1500, F1700, F2000, F2100, F2600, F3000, FA90SQ, FA90C

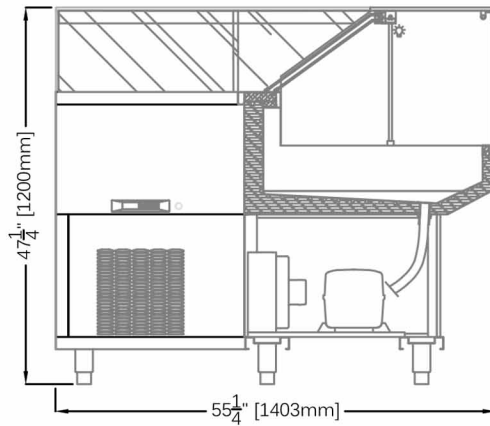
ROSA FISH LINEAR MODELS



ROSA FA90SQ



ROSA FA90C



*Factory in its effort to upgrade and improve our products, has the right to change, modify, discontinue or change any feature, size or capacity on any model without prior notice.



512 South Airport Blvd., South San Francisco, CA 94080
 Tel: 855.885.2400 | 650.342.2400 | Fax: 650.342.7400
 sales@oscartek.com | www.oscartek.com



ROSA HOT SHOWCASE

STANDARD FEATURES

- Extra clear glass: front, top, and sides glasses
- Heat lamp
- Stainless steel lower interior foam tub
- Galvanized chassis structure
- All tempered glass
- CS - dry
- CBM - bain marie
- Cases ship standard unfinished front and stainless steel skin sides

OPTIONS

- Available in 53 1/8"H with shelf
- Lift up top glass
- Work top perimeter (brushed s/s, corian, black HPL, granite)
- RAL color finish/wood laminate front and side panels
- Epoxy RAL color interior over stainless steel
- Unfinished panels to accept custom millwork by others
- Casters

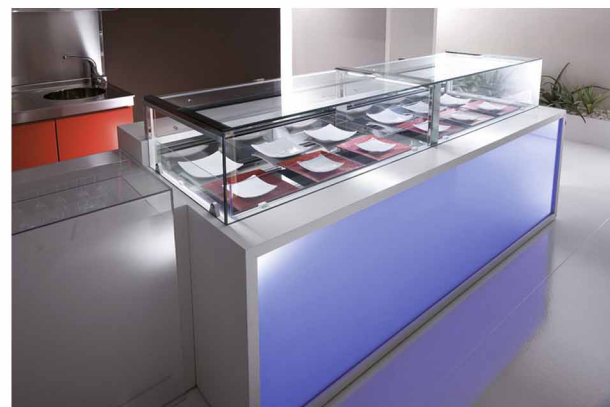


Photo shown with optional custom front. Standard cases are unfinished front with stainless steel skin sides.



Visit our website for more finishing options and RAL colors
www.oscartek.com

ROSA HOT (CS-DRY)				
TECHNICAL FEATURES		MODELS		
		ROSA CS1150 (ROSACSR44512)	ROSA CS1500 (ROSACSR45912)	ROSA CS2150 (ROSACSR48512)
External Dimensions (L-D-H)	Inches	*45 3/8" - 32 5/16" - 47 1/4"	*59 3/16" - 32 5/16" - 47 1/4"	*84 3/4" - 32 5/16" - 47 1/4"
	Inches-MM	*1153 - 821 - 1200	*1503 - 821 - 1200	*2153 - 821 - 1200
Crated Dimensions (L-D-H)	Inches	52" - 40 1/2" - 55 1/4"	66" - 40 1/2" - 55 1/4"	91" - 40 1/2" - 55 1/4"
	Inches-MM	1320 - 1030 - 1400	1676 - 1030 - 1400	2311 - 1030 - 1400
Electric Supply**	(V/Ph/Hz)	(2) 208-220/1/60	(2) 208-220/1/60	(2) 208-220/1/60
Power Consumption	HEAT LAMP (V/W/A)	208-220/620/3.5	208-220/900/4.2	208-220/1200/6.1
Direct Connection**	HOT PLATE (V/A)	120/6.5 - NEMA 5-15P	120/9.3 - NEMA 5-15P	120/12 - NEMA 5-15P
Operating Temperature	°F	177°F	177°F	177°F
Climatic Class	°F/H.R.	75°F-55%RH	75°F-55%RH	75°F-55%RH
Net Weights	Lb	220	260	360
Crated Weights	Lb	270	320	420

*DIMENSIONS WITH POLISHED S/S SKIN SIDES

**REQUIRES 2 INDEPENDENT ELECTRIC SUPPLY

ROSA HOT (CBM- BAIN MARIE)				
TECHNICAL FEATURES		MODELS		
		ROSA CBM1150 (ROSABMR44512)	ROSA CBM1500 (ROSABMR45912)	ROSA CBM2150 (ROSABMR48512)
External Dimensions (L-D-H)	Inches	*45 3/8" - 32 5/16" - 47 1/4"	*59 3/16" - 32 5/16" - 47 1/4"	*84 3/4" - 32 5/16" - 47 1/4"
	Inches-MM	*1153 - 821 - 1200	*1503 - 821 - 1200	*2153 - 821 - 1200
Crated Dimensions (L-D-H)	Inches	52" - 40 1/2" - 55 1/4"	66" - 40 1/2" - 55 1/4"	91" - 40 1/2" - 55 1/4"
	Inches-MM	1320 - 1030 - 1400	1676 - 1030 - 1400	2311 - 1030 - 1400
Electric Supply**	(V/Ph/Hz)	(2) 208-220/1/60	(2) 208-220/1/60	(2) 208-220/1/60
Power Consumption	HEAT LAMP (V/W/A)	208-220/1530/7.2	208-220/2030/9.5	208-220/3100/14.5
Direct Connection**	BAIN MARIE (V/PH/A)	***208-220/1/11.6 - 6-15P (OPTIONAL PLUG)	***208-220/1/17.4 - 6-30P (OPTIONAL PLUG)	***208-220/1/28.9 - NEMA-6-50P (OPTIONAL PLUG)
Operating Temperature	°F	177°F	177°F	177°F
Climatic Class	°F/H.R.	75°F-55%RH	75°F-55%RH	75°F-55%RH
Net Weights	Lb	220	260	360
Crated Weights	Lb	270	320	420

*DIMENSIONS WITH POLISHED S/S SKIN SIDES

**REQUIRES 2 INDEPENDENT ELECTRIC SUPPLY

***AVAILABLE IN 3 PHASE

NOTE: CBM-BAIN MARIE: DRAIN SIZE FOR INDIVIDUAL WELL 3/4"

*Factory in its effort to upgrade and improve our products, has the right to change, modify, discontinue or change any feature, size or capacity on any model without prior notice.



512 South Airport Blvd., South San Francisco, CA 94080
 Tel: 855.885.2400 | 650.342.2400 | Fax: 650.342.7400
sales@oscartek.com | www.oscartek.com

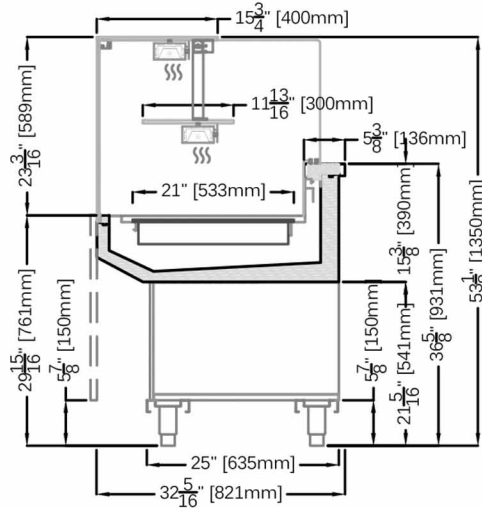
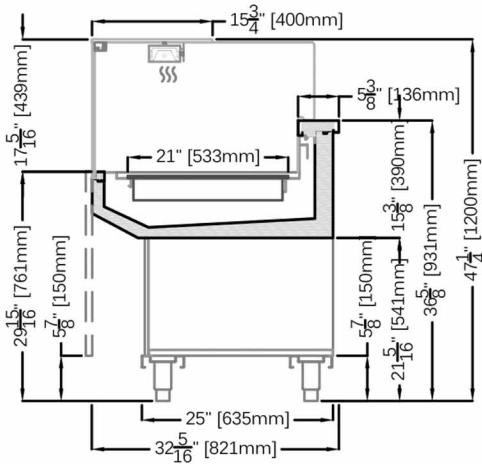


ROSA HOT SHOWCASE

ROSA HOT: CS-DRY SECTION VIEWS: ROSA CS1150, CS1650, CS2150

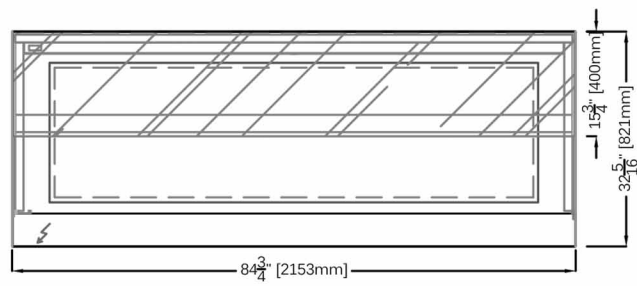
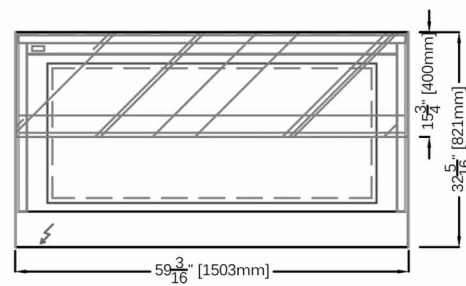
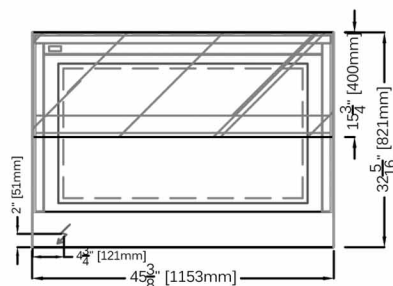
OPTIONAL: ROSA HOT: CS-DRY AVAILABLE IN 53 1/8"H WITH SHELF

STANDARD: ROSA HOT: CS -DRY 47 1/4"H

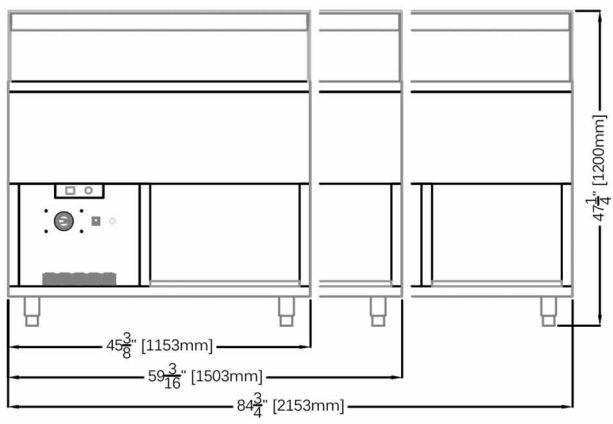


ROSA HOT: CS-DRY PLAN VIEWS: ROSA CS1150, CS1650, CS2150

ELECTRICAL LEGEND	
	POWER



ROSA HOT: CS-DRY REAR ELEVATIONS (OPERATOR SIDE): ROSA CS1150, CS1650, CS2150



*Factory in its effort to upgrade and improve our products, has the right to change, modify, discontinue or change any feature, size or capacity on any model without prior notice.



512 South Airport Blvd., South San Francisco, CA 94080
 Tel: 855.885.2400 | 650.342.2400 | Fax: 650.342.7400
 sales@oscartek.com | www.oscartek.com

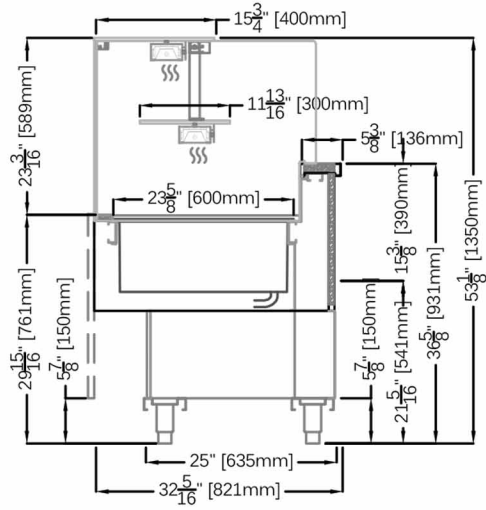
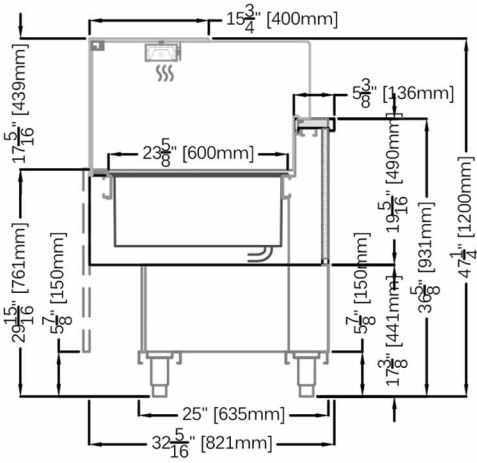


ROSA HOT SHOWCASE

ROSA HOT: CBM-BAIN MARIE SECTION VIEWS: ROSA CBM1150, CBM1650, CBM2150

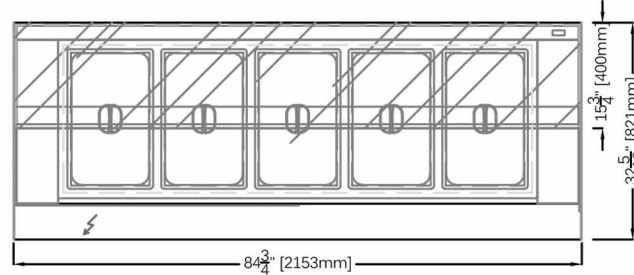
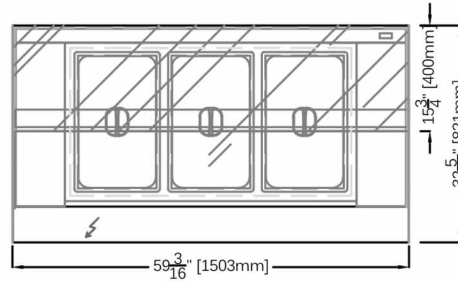
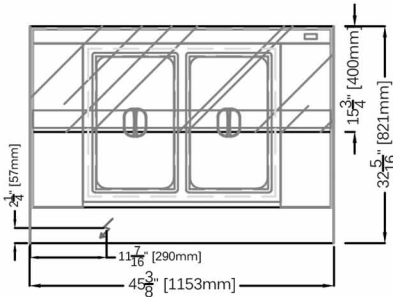
OPTIONAL: ROSA HOT: CBM-BAIN MARIE AVAILABLE IN 53 1/8" H WITH SHELF

STANDARD: ROSA HOT: CBM-BAIN MARIE 47 1/4" H

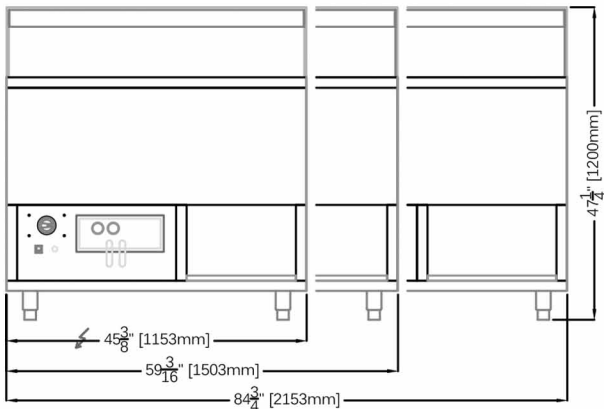


ROSA HOT: CBM-BAIN MARIE PLAN VIEWS: ROSA CBM1150, CBM1650, CBM2150

ELECTRICAL LEGEND	
	POWER



ROSA HOT: CBM-BAIN MARIE REAR ELEVATIONS (OPERATOR SIDE): ROSA CBM1150, CBM1650, CBM2150



*Factory in its effort to upgrade and improve our products, has the right to change, modify, discontinue or change any feature, size or capacity on any model without prior notice.



512 South Airport Blvd., South San Francisco, CA 94080
 Tel: 855.885.2400 | 650.342.2400 | Fax: 650.342.7400
 sales@oscartek.com | www.oscartek.com



ROSA NEUTRAL SHOWCASE

STANDARD FEATURES

- Extra clear glass: front, top, and sides glasses
- Diffused LED lighting 3000°K
- Sliding acrylic back doors
- Stainless steel lower interior foam tub
- Galvanized chassis structure
- All tempered glass
- Cases ship standard unfinished front and stainless steel skin sides



Photo shown with front finish by others. Standard cases are unfinished front with stainless steel skin sides.

OPTIONS

- Available in 53 1/8" H with shelf
- Narrow depth 25 7/16" D
- Lift up top glass
- Work top perimeter (brushed s/s, corian, black HPL, granite)
- Stainless steel step shelf
- RAL color finish/wood laminate front and side panels
- Epoxy RAL color interior over stainless steel
- Unfinished panels to accept custom millwork by others
- Casters



Visit our website for more finishing options and RAL colors
www.oscartek.com

ROSA NEUTRAL						
TECHNICAL FEATURES		MODELS				
		ROSA N900	ROSA N1000 (ROSANTLR43912)	ROSA N1300	ROSA N1500 (ROSANTLR45912)	ROSA N1700
External Dimensions (L-D-H)	Inches	*35 9/16" - 32 5/16" - 47 1/4"	*39 1/2" - 32 5/16" - 47 1/4"	*51 5/16" - 32 5/16" - 47 1/4"	*59 3/16" - 32 5/16" - 47 1/4"	*67 1/16" - 32 5/16" - 47 1/4"
Inches-MM	MM	*903 - 821 - 1200	*1003 - 821 - 1200	*1303 - 821 - 1200	*1503 - 821 - 1200	*1703 - 821 - 1200
Crated Dimensions (L-D-H)	Inches	43 1/3" - 40 1/2" - 55 1/4"	46" - 40 1/2" - 55 1/4"	58" - 40 1/2" - 55 1/4"	66" - 40 1/2" - 55 1/4"	73" - 40 1/2" - 55 1/4"
Inches-MM	MM	1100 - 1030 - 1400	1168 - 1030 - 1400	1473 - 1030 - 1400	1676 - 1030 - 1400	1854 - 1030 - 1400
Electric Supply	(V/Ph/Hz)	115/1/60	115/1/60	115/1/60	115/1/60	115/1/60
Power Consumption	(W/A)	20/0.2	20/0.2	30/0.3	30/0.3	40/0.4
Operating Temperature	°F	Ambient	Ambient	Ambient	Ambient	Ambient
Net Weights	Lb	210	230	249	300	320
Crated Weights	Lb	320	340	390	430	490

*DIMENSIONS WITH POLISHED S/S SKIN SIDES

ROSA NEUTRAL					
TECHNICAL FEATURES		MODELS			
		ROSA N2000 (ROSANTLR47912)	ROSA N2100	ROSA N2600	ROSA N3000
External Dimensions (L-D-H)	Inches	*78 7/8" - 32 5/16" - 47 1/4"	*82 13/16" - 32 5/16" - 47 1/4"	*102 1/2" - 32 5/16" - 47 1/4"	*118 1/4" - 32 5/16" - 47 1/4"
Inches-MM	MM	*2003 - 821 - 1200	*2103 - 821 - 1200	*2603 - 821 - 1200	*3003 - 821 - 1200
Crated Dimensions (L-D-H)	Inches	85" - 40 1/2" - 55 1/4"	90 1/2" - 40 1/2" - 55 1/4"	109" - 40 1/2" - 55 1/4"	125" - 40 1/2" - 55 1/4"
Inches-MM	MM	2159 - 1030 - 1400	2300 - 1030 - 1400	2768 - 1030 - 1400	3175 - 1030 - 1400
Electric Supply	(V/Ph/Hz)	115/1/60	115/1/60	115/1/60	115/1/60
Power Consumption	(W/A)	40/0.4	80/0.8	100/1.1	120/1.2
Operating Temperature	°F	Ambient	Ambient	Ambient	Ambient
Net Weights	Lb	350	395	429	510
Crated Weights	Lb	490	580	620	680

*DIMENSIONS WITH POLISHED S/S SKIN SIDES

*Factory in its effort to upgrade and improve our products, has the right to change, modify, discontinue or change any feature, size or capacity on any model without prior notice.



512 South Airport Blvd., South San Francisco, CA 94080
 Tel: 855.885.2400 | 650.342.2400 | Fax: 650.342.7400
sales@oscartek.com | www.oscartek.com



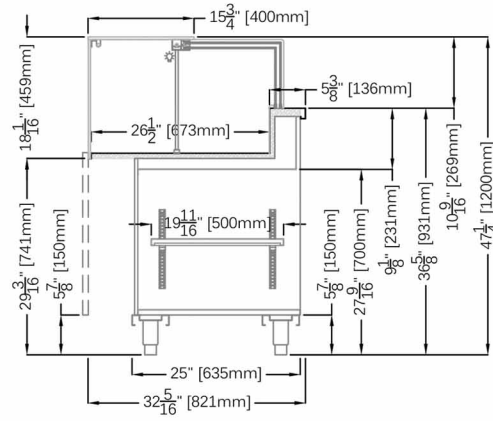
ROSA NEUTRAL SHOWCASE

ROSA NEUTRAL			
TECHNICAL FEATURES		MODELS	
		ROSA NA90SQ (ROSANTR4AP9012)	ROSA NA90C
External Dimensions (L-D-H)	Inches	*51 1/4" - 32 5/16" - 47 1/4"	*78 1/8" - 32 5/16" - 47 1/4"
	MM	*1302 - 821 - 1200	*1984 - 821 - 1200
Crated Dimensions (L-D-H)	Inches	57" - 57" - 55 1/4"	87" - 40 1/2" - 55 1/4"
	MM	1447 - 1447 - 1400	2209 - 1030 - 1400
Electric Supply	(V/Ph/Hz)	115/1/60	115/1/60
Power Consumption	(W/A)	50/0.5	50/0.5
Operating Temperature	°F	Ambient	Ambient
Net Weights	Lb	355	355
Crated Weights	Lb	495	495

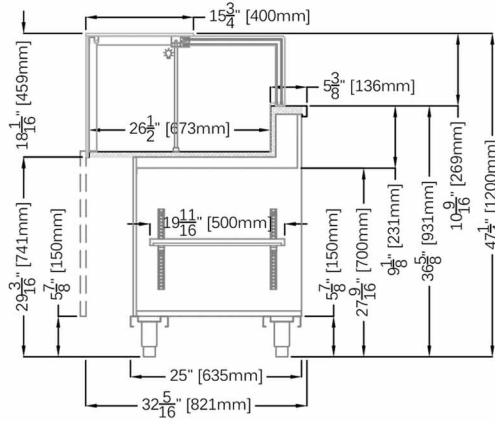
*DIMENSIONS WITH POLISHED S/S SKIN SIDES

SECTION VIEWS: ROSA N900, N1000, N1300, N1500, N2000, N2100, N2600, N3000, NA90SQ, NA90C

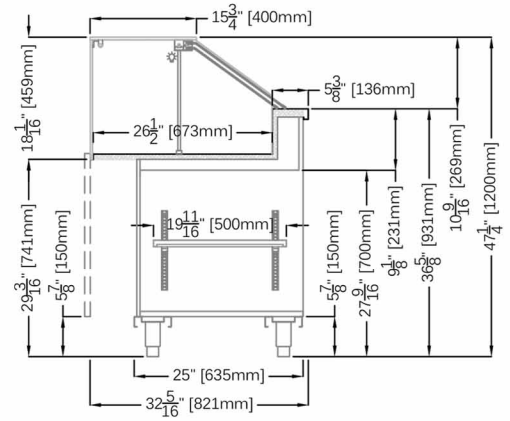
ALL ROSA NEUTRAL LINEAR MODELS + NA90SQ (EXCEPT FOR ROSA N3000)



ROSA N3000

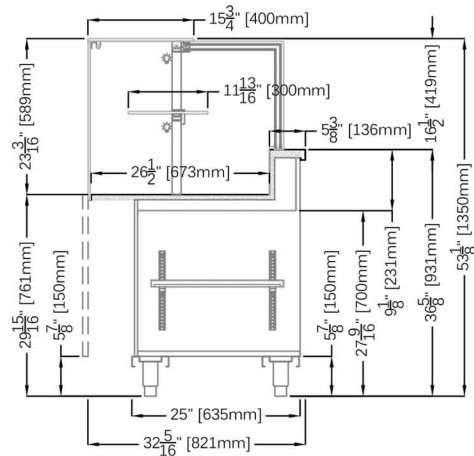


ROSA NA90C

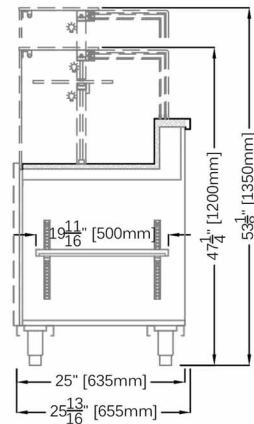


OPTIONAL:

ROSA NEUTRAL - AVAILABLE IN 53 1/8"H WITH SHELF



ROSA NEUTRAL NARROW AVAILABLE IN 47 1/4"H & 53 1/8"H



*Factory in its effort to upgrade and improve our products, has the right to change, modify, discontinue or change any feature, size or capacity on any model without prior notice.



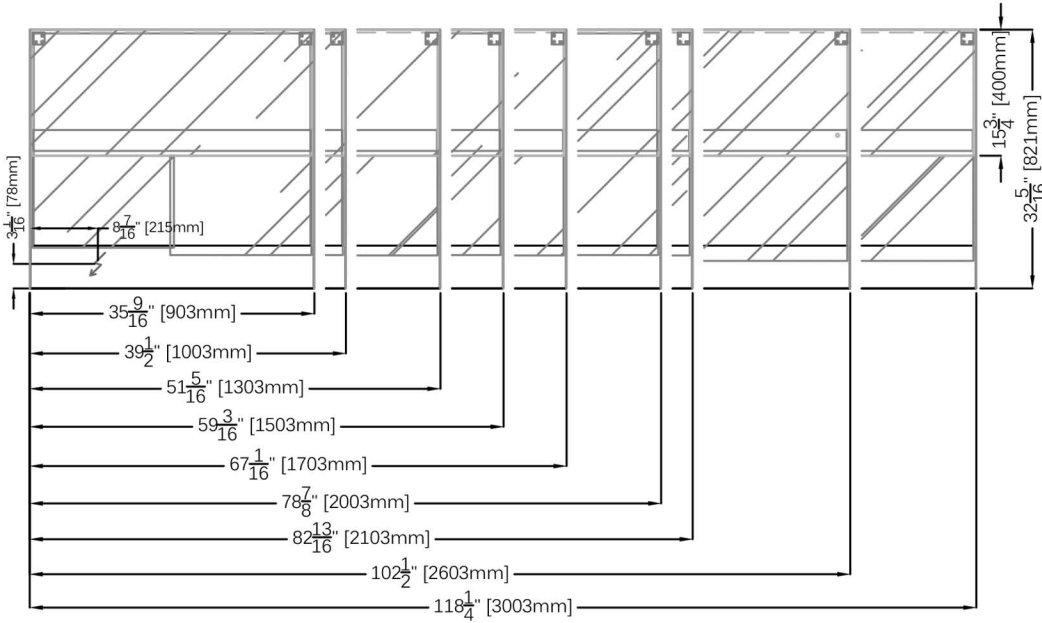
512 South Airport Blvd., South San Francisco, CA 94080
 Tel: 855.885.2400 | 650.342.2400 | Fax: 650.342.7400
 sales@oscartek.com | www.oscartek.com



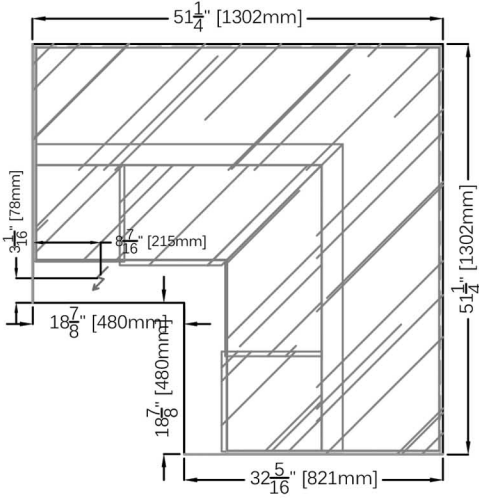
ROSA NEUTRAL SHOWCASE

PLAN VIEWS: ROSA N900, N1000, N1300, N1500, N1700, N2000, N2100, N2600, N3000, NA90SQ, NA90C

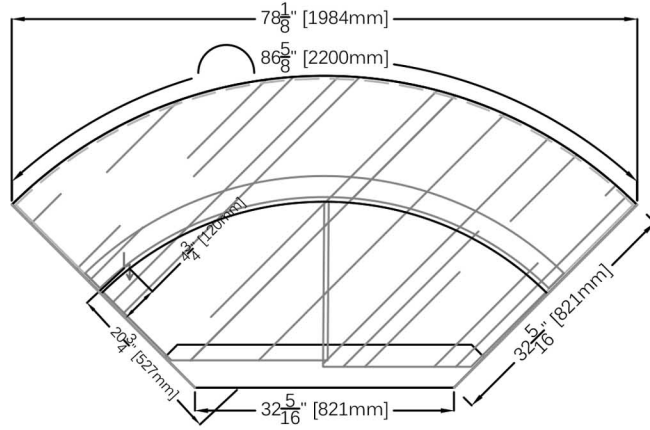
ROSA NEUTRAL LINEAR MODELS




ROSA NA90SQ



ROSA NA90C



ELECTRICAL LEGEND

 POWER

*Factory in its effort to upgrade and improve our products, has the right to change, modify, discontinue or change any feature, size or capacity on any model without prior notice.



512 South Airport Blvd., South San Francisco, CA 94080
 Tel: 855.885.2400 | 650.342.2400 | Fax: 650.342.7400
 sales@oscartek.com | www.oscartek.com

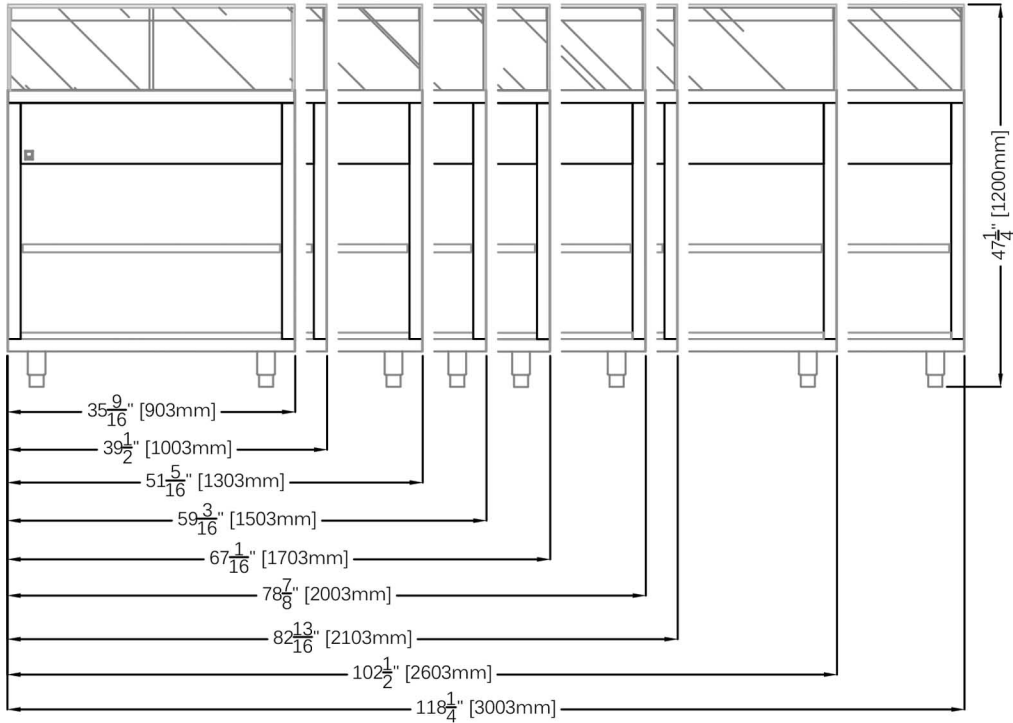


ROSA NEUTRAL SHOWCASE

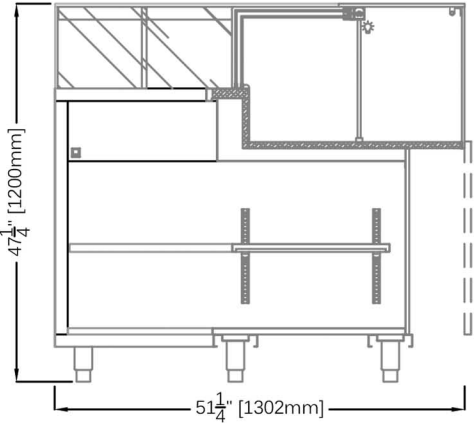
REAR ELEVATIONS (OPERATOR SIDE):

ROSA N900, N1000, N1300, N1500, N1700, N2000, N2100, N2600, N3000, NA90SQ, NA90C

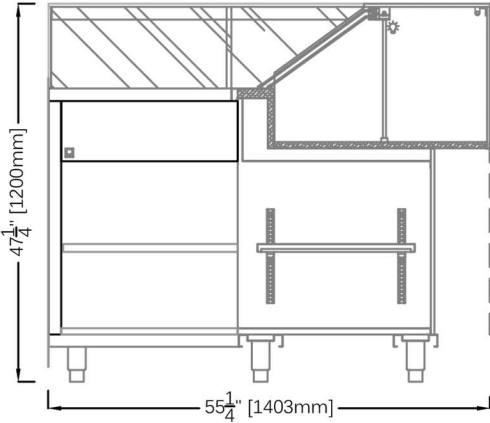
ROSA NEUTRAL LINEAR MODELS



ROSA NA90SQ



ROSA NA90C



*Factory in its effort to upgrade and improve our products, has the right to change, modify, discontinue or change any feature, size or capacity on any model without prior notice.



512 South Airport Blvd., South San Francisco, CA 94080
 Tel: 855.885.2400 | 650.342.2400 | Fax: 650.342.7400
 sales@oscartek.com | www.oscartek.com



ROSA COMBI NEUTRAL TOP & REFRIGERATED BOTTOM SHOWCASE

STANDARD FEATURES

- Neutral top and refrigerated bottom
- Extra clear glass: front, top, and sides glasses
- All tempered glass
- Glass shelf
- Diffused LED lighting 3000°K
- Sliding acrylic back doors
- High polished stainless steel interior
- Stainless steel lower interior foam tub
- Galvanized chassis structure
- Cases ship standard unfinished front and stainless steel skin sides



Photo shown with optional stainless steel front and optional stone top. Standard cases are unfinished front with stainless steel skin sides and brushed s/s top.



Visit our website for more finishing options and RAL colors
www.oscartek.com

OPTIONS

- Lift up top glass
- Work top perimeter (brushed s/s, corian, black HPL, granite)
- Remote condensing unit
- RAL color finish/wood laminate front and side panels
- Epoxy RAL color interior over stainless steel
- Unfinished panels to accept custom millwork by others
- Heated pan for evaporator
- Casters

ROSA COMBI - NEUTRAL TOP & REFRIGERATED BOTTOM				
TECHNICAL FEATURES		MODELS		
		COMBI 1000NT (MUROH34SL39C)	COMBI 1250NT (MUROH34SL49C)	COMBI 1500NT (MUROH34SL59C)
External Dimensions (L-D-H)	Inches	*39 1/2" - 38 15/16" - 48"	*49 5/16" - 38 15/16" - 48"	*59 3/16" - 38 15/16" - 48"
	MM	*1003 - 989 - 1219	*1253 - 989 - 1219	*1503 - 989 - 1219
Crated Dimensions (L-D-H)	Inches	46" - 45" - 55"	56" - 45" - 55"	66" - 45" - 55"
	MM	1168 - 1143 - 1397	1422 - 1143 - 1397	1676 - 1143 - 1397
Refrigeration	Type	Fan Ventilated	Fan Ventilated	Fan Ventilated
Refrigeration Display Area	Type	Bottom Display	Bottom Display	Bottom Display
Operating Temperature	°F	39°F	39°F	39°F
Compressor	Nr./Type	1 / Hermetic	1 / Hermetic	1 / Hermetic
BTU'S @ +14°F Evap Temperature	BTU'S	4000	4500	5100
Electric Supply	(V/Ph/Hz)	208-220/1/60	208-220/1/60	208-220/1/60
Power Consumption	(W/A)	1350/6.8	1550/7.5	1750/8.8
Defrost	Mode/Type	Electric	Electric	Electric
Climatic Class	°F/H.R.	75°F-55%RH	75°F-55%RH	75°F-55%RH
Refrigerant Gas	Type	R404A / R452A	R404A / R452A	R404A / R452A
Pipe Size (Inches)	Suction, Liquid	5/8" Suction, 5/16" Liquid	5/8" Suction, 5/16" Liquid	5/8" Suction, 5/16" Liquid
Net Weights	Kg/Lb	350	395	440
Crated Weights	Kg/Lb	400	445	490

*DIMENSIONS ARE WITH POLISHED S/S SKIN SIDES

*Factory in its effort to upgrade and improve our products, has the right to change, modify, discontinue or change any feature, size or capacity on any model without prior notice.

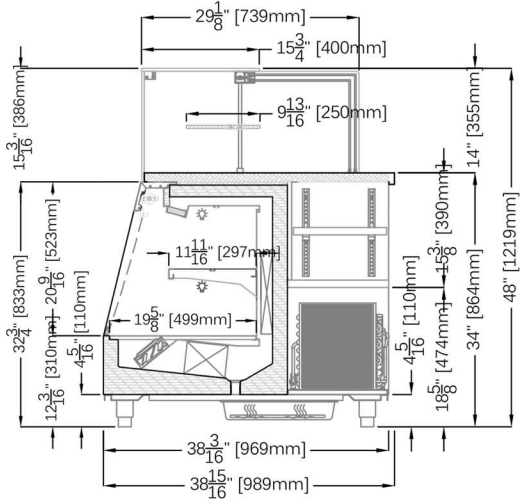


512 South Airport Blvd., South San Francisco, CA 94080
Tel: 855.885.2400 | 650.342.2400 | Fax: 650.342.7400
sales@oscartek.com | www.oscartek.com

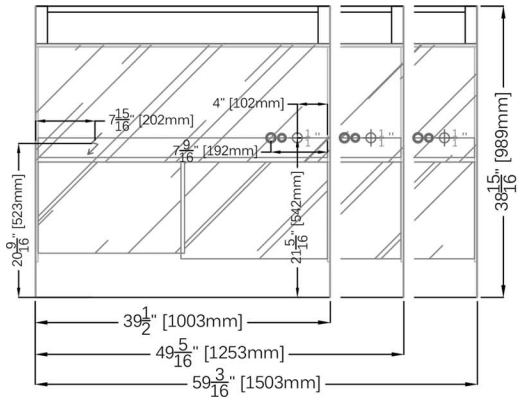


ROSA COMBI NEUTRAL TOP & REFRIGERATED BOTTOM SHOWCASE

SECTION VIEW: COMBI 1000NT, 1250NT, 1500NT

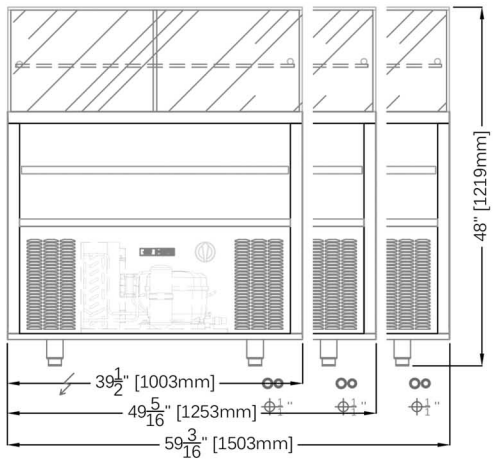


PLAN VIEWS: COMBI 1000NT, 1250NT, 1500NT



ELECTRICAL LEGEND	
	REFRIGERATED LINES
	DRAIN
	POWER

REAR ELEVATIONS (OPERATOR SIDE): COMBI 1000NT, 1250NT, 1500NT



*Factory in its effort to upgrade and improve our products, has the right to change, modify, discontinue or change any feature, size or capacity on any model without prior notice.



512 South Airport Blvd., South San Francisco, CA 94080
 Tel: 855.885.2400 | 650.342.2400 | Fax: 650.342.7400
 sales@oscartek.com | www.oscartek.com



ROSA COMBI M1 REFRIGERATED TOP & BOTTOM SHOWCASE

STANDARD FEATURES

- Rosa Combi M1: refrigerated top and bottom
- Extra clear glass: front and top glasses with front air baffle
- Heated glass sides
- All tempered glass
- Diffused LED lighting 3000°K
- Sliding acrylic back doors
- High polished stainless steel interior
- Stainless steel lower interior foam tub
- Galvanized chassis structure
- Rear ventilation
- Cases ship standard unfinished front and stainless steel skin sides



Photo shown with optional inclined front and optional RAL color finish. Standard cases are unfinished front and stainless steel skin sides.



Visit our website for more finishing options and RAL colors
www.oscartek.com

OPTIONS

- Available in 53 1/8"H with non-refrigerated shelf
- Lift up top glass
- Remote condensing unit
- Work top perimeter (brushed s/s, corian, black HPL, granite)
- RAL color finish/wood laminate front and side panels
- Epoxy RAL color interior over stainless steel
- Unfinished panels to accept custom millwork by others
- Heated pan for evaporator
- Casters

ROSA COMBI M1 - REFRIGERATED TOP & BOTTOM (SELF CONTAINED)						
TECHNICAL FEATURES		MODELS				
		ROSA COMBI M1 1000 (RSCOMR43912M1)	ROSA COMBI M1 1300 (RSCOMR45112M1)	ROSA COMBI M1 1500 (RSCOMR45912M1)	ROSA COMBI M1 1700 (RSCOMR46712M1)	ROSA COMBI M1 2000 (RSCOMR47812M1)
External Dimensions (L-D-H)	Inches	*39 1/2" - 32 5/16" - 47 1/4"	*51 5/16" - 32 5/16" - 47 1/4"	*59 3/16" - 32 5/16" - 47 1/4"	*67 1/16" - 32 5/16" - 47 1/4"	*78 7/8" - 32 5/16" - 47 1/4"
	Inches-MM	*1003 - 821 - 1200	*1303 - 821 - 1200	*1503 - 821 - 1200	*1703 - 821 - 1200	*2003 - 821 - 1200
Crated Dimensions (L-D-H)	Inches	46" - 40 1/2" - 55 1/4"	58" - 40 1/2" - 55 1/4"	66" - 40 1/2" - 55 1/4"	73" - 40 1/2" - 55 1/4"	85" - 40 1/2" - 55 1/4"
	Inches-MM	1168 - 1030 - 1400	1473 - 1030 - 1400	1676 - 1030 - 1400	1854 - 1030 - 1400	2159 - 1030 - 1400
Refrigeration	Type	Fan Ventilated	Fan Ventilated	Fan Ventilated	Fan Ventilated	Fan Ventilated
Refrigeration Display Area	Type	Top & Bottom Display	Top & Bottom Display	Top & Bottom Display	Top & Bottom Display	Top & Bottom Display
Operating Temperature	°F	39°F	39°F	39°F	39°F	39°F
Compressor	Nr./Type	1 / Hermetic	1 / Hermetic	1 / Hermetic	1 / Hermetic	1 / Hermetic
BTU'S @ +10°F Evap Temperature	BTU'S	4300	4700	5200	5700	6000
Electric Supply	(V/Ph/Hz)	208-220/1/60	208-220/1/60	208-220/1/60	208-220/1/60	208-220/1/60
Power Consumption	(W/A)	1350/6.8	1550/7.5	1750/8.8	1850/9.1	2000/10.5
Defrost	Mode/Type	Electric	Electric	Electric	Electric	Electric
Climatic Class	°F/H.R.	75°F-55%RH	75°F-55%RH	75°F-55%RH	75°F-55%RH	75°F-55%RH
Refrigerant Gas	Type	R404A / R452A	R404A / R452A	R404A / R452A	R404A / R452A	R404A / R452A
Pipe Size (Inches)	Suction, Liquid	5/8" Suction, 5/16" Liquid	5/8" Suction, 5/16" Liquid	5/8" Suction, 5/16" Liquid	5/8" Suction, 5/16" Liquid	5/8" Suction, 5/16" Liquid
Net Weights	Lb	360	390	450	530	580
Crated Weights	Lb	410	440	500	580	630

*DIMENSIONS ARE WITH POLISHED S/S SKIN SIDES

*Factory in its effort to upgrade and improve our products, has the right to change, modify, discontinue or change any feature, size or capacity on any model without prior notice.



512 South Airport Blvd., South San Francisco, CA 94080
Tel: 855.885.2400 | 650.342.2400 | Fax: 650.342.7400
sales@oscartek.com | www.oscartek.com

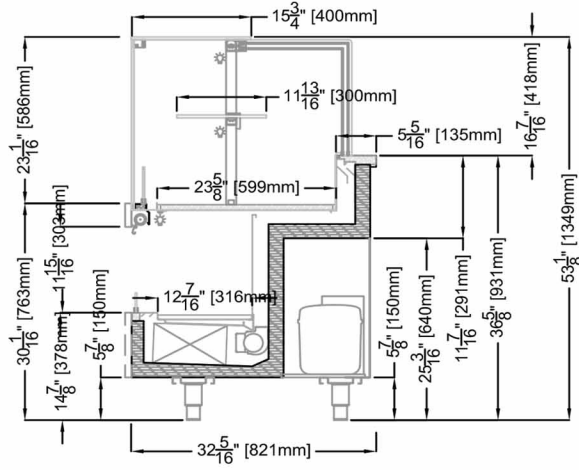
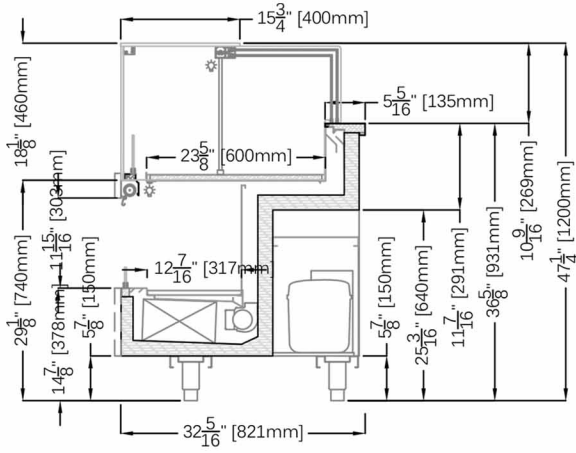


ROSA COMBI M1 REFRIGERATED TOP & BOTTOM SHOWCASE

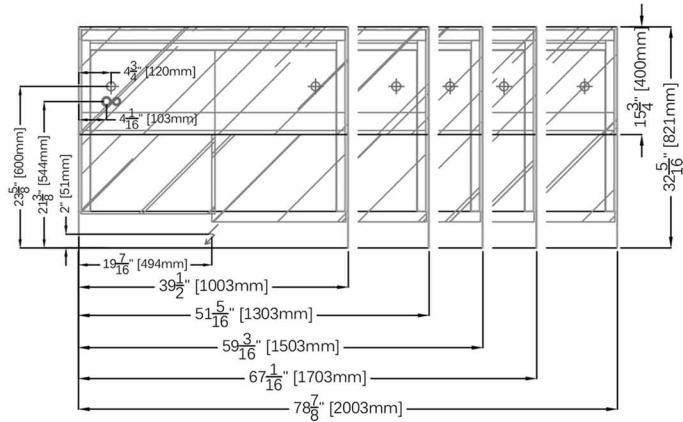
SECTION VIEW: ROSA COMBI M1 1000, 1300, 1500, 1700, 2000

STANDARD: 47" H

OPTIONAL: AVAILABLE IN 53 1/8" H WITH NON-REFRIGERATED SHELF

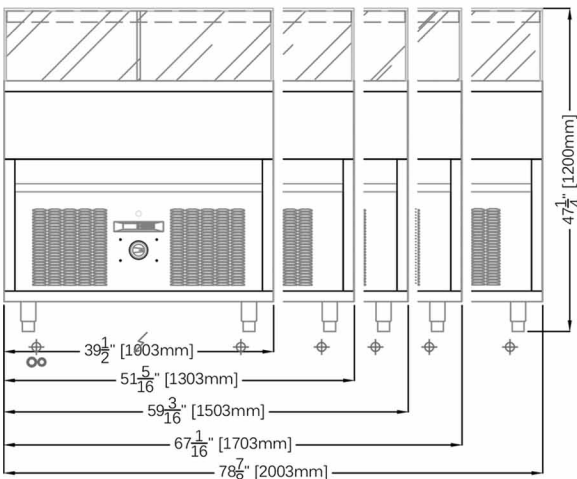


PLAN VIEWS: ROSA COMBI M1 1000, 1300, 1500, 1700, 2000



ELECTRICAL LEGEND	
	REFRIGERATED LINES
	DRAIN
	POWER

REAR ELEVATIONS (OPERATOR SIDE): ROSA COMBI M1 1000, 1300, 1500, 1700, 2000



*Factory in its effort to upgrade and improve our products, has the right to change, modify, discontinue or change any feature, size or capacity on any model without prior notice.



512 South Airport Blvd., South San Francisco, CA 94080
 Tel: 855.885.2400 | 650.342.2400 | Fax: 650.342.7400
 sales@oscartek.com | www.oscartek.com



ROSA COMBI H1 & H2 REFRIGERATED TOP & BOTTOM SHOWCASE

STANDARD FEATURES

Rosa Combi H1: Self-contained. Refrigerated top and bottom

Rosa Combi H2: Remote. Refrigerated top and bottom

Extra clear glass: front and top glasses with front air baffle

Heated glass sides

All tempered glass

Diffused LED lighting 3000°K

Sliding acrylic back doors

High polished stainless steel interior

Stainless steel lower interior foam tub

Galvanized chassis structure

Cases ship standard unfinished front and stainless steel skin sides



Custom case photo shown with optional RAL color finish. Standard cases are unfinished front with stainless steel skin sides.



Visit our website for more finishing options and RAL colors
www.oscartek.com

OPTIONS

Rosa Combi H1: Self-contained. Refrigerated top and bottom with switch control for refrigerated top to non-refrigerated top

Rosa Combi H2: Remote. Refrigerated top and bottom with switch control for refrigerated top to non-refrigerated top

Available in 53 1/8"H with non-refrigerated shelf, self contained or remote

Lift up top glass

Work top perimeter (brushed s/s, corian, black HPL, granite)

Remote condensing unit

RAL color finish/wood laminate front and side panels

Epoxy RAL color interior over stainless steel

Unfinished panels to accept custom millwork by others

Heated pan for evaporator

Casters

ROSA COMBI H1 - REFRIGERATED TOP & BOTTOM (SELF CONTAINED)						
TECHNICAL FEATURES		MODELS				
		ROSA COMBI H1 1000 (RSCOMR43912H1)	ROSA COMBI H1 1300 (RSCOMR45112H1)	ROSA COMBI H1 1500 (RSCOMR45912H1)	ROSA COMBI H1 1700 (RSCOMR46712H1)	ROSA COMBI H1 2000 (RSCOMR47812H1)
External Dimensions (L-D-H)	Inches	*39 1/2" - 32 5/16" - 47 1/4"	*51 5/16" - 32 5/16" - 47 1/4"	*59 3/16" - 32 5/16" - 47 1/4"	*67 1/16" - 32 5/16" - 47 1/4"	*78 7/8" - 32 5/16" - 47 1/4"
	Inches-MM	*1003 - 821 - 1200	*1303 - 821 - 1200	*1503 - 821 - 1200	*1703 - 821 - 1200	*2003 - 821 - 1200
Crated Dimensions (L-D-H)	Inches	46" - 40 1/2" - 55 1/4"	58" - 40 1/2" - 55 1/4"	66" - 40 1/2" - 55 1/4"	73" - 40 1/2" - 55 1/4"	85" - 40 1/2" - 55 1/4"
	Inches-MM	1168 - 1030 - 1400	1473 - 1030 - 1400	1676 - 1030 - 1400	1854 - 1030 - 1400	2159 - 1030 - 1400
Refrigeration	Type	Fan Ventilated	Fan Ventilated	Fan Ventilated	Fan Ventilated	Fan Ventilated
Refrigeration Display Area	Type	Top & Bottom Display	Top & Bottom Display	Top & Bottom Display	Top & Bottom Display	Top & Bottom Display
Operating Temperature	°F	39°F	39°F	39°F	39°F	39°F
Compressor	Nr./Type	1 / Hermetic	1 / Hermetic	1 / Hermetic	1 / Hermetic	1 / Hermetic
BTU'S @ +14°F Evap Temperature	BTU'S	3800	4400	4900	5200	5300
Electric Supply	(V/Ph/Hz)	208-220/1/60	208-220/1/60	208-220/1/60	208-220/1/60	208-220/1/60
Power Consumption	(W/A)	1250/6.5	1350/6.8	1550/7.5	1750/8.8	1850/9.1
Defrost	Mode/Type	Electric	Electric	Electric	Electric	Electric
Climatic Class	°F/H.R.	75°F-55%RH	75°F-55%RH	75°F-55%RH	75°F-55%RH	75°F-55%RH
Refrigerant Gas	Type	R404A / R452A	R404A / R452A	R404A / R452A	R404A / R452A	R404A / R452A
Pipe Size (Inches)	Suction, Liquid	1/2" Suction, 1/4" Liquid	5/8" Suction, 5/16" Liquid	5/8" Suction, 5/16" Liquid	5/8" Suction, 5/16" Liquid	5/8" Suction, 5/16" Liquid
Net Weights	Lb	290	310	340	360	380
Crated Weights	Lb	340	360	390	410	430

*DIMENSIONS ARE WITH POLISHED S/S SKIN SIDES

*Factory in its effort to upgrade and improve our products, has the right to change, modify, discontinue or change any feature, size or capacity on any model without prior notice.



512 South Airport Blvd., South San Francisco, CA 94080
Tel: 855.885.2400 | 650.342.2400 | Fax: 650.342.7400
sales@oscartek.com | www.oscartek.com



ROSA COMBI H1 & H2

REFRIGERATED TOP & BOTTOM SHOWCASE

ROSA COMBI H2 - REFRIGERATED TOP & BOTTOM (REMOTE)						
TECHNICAL FEATURES		MODELS				
		ROSA COMBI H2 1000 (RSCOMR43912H2)	ROSA COMBI H2 1300 (RSCOMR45112H2)	ROSA COMBI H2 1500 (RSCOMR45912H2)	ROSA COMBI H2 1700 (RSCOMR46712H2)	ROSA COMBI H2 2000 (RSCOMR47812H2)
External Dimensions (L-D-H)	Inches	*39 1/2" - 32 5/16" - 47 1/4"	*51 5/16" - 32 5/16" - 47 1/4"	*59 3/16" - 32 5/16" - 47 1/4"	*67 1/16" - 32 5/16" - 47 1/4"	*78 7/8" - 32 5/16" - 47 1/4"
	MM	*1003 - 821 - 1200	*1303 - 821 - 1200	*1503 - 821 - 1200	*1703 - 821 - 1200	*2003 - 821 - 1200
Crated Dimensions (L-D-H)	Inches	46" - 40 1/2" - 55 1/4"	58" - 40 1/2" - 55 1/4"	66" - 40 1/2" - 55 1/4"	73" - 40 1/2" - 55 1/4"	85" - 40 1/2" - 55 1/4"
	MM	1168 - 1030 - 1400	1473 - 1030 - 1400	1676 - 1030 - 1400	1854 - 1030 - 1400	2159 - 1030 - 1400
Refrigeration	Type	Fan Ventilated	Fan Ventilated	Fan Ventilated	Fan Ventilated	Fan Ventilated
Refrigeration Display Area	Type	Top & Bottom Display	Top & Bottom Display	Top & Bottom Display	Top & Bottom Display	Top & Bottom Display
Operating Temperature	°F	39°F	39°F	39°F	39°F	39°F
Compressor	Nr./Type	1 / Hermetic	1 / Hermetic	1 / Hermetic	1 / Hermetic	1 / Hermetic
BTU'S @ +14°F Evap Temperature	BTU'S	4300	4700	5200	5700	6000
Electric Supply	(V/Ph/Hz)	208-220/1/60	208-220/1/60	208-220/1/60	208-220/1/60	208-220/1/60
Power Consumption	(W/A)	1350/6.8	1550/7.5	1750/8.8	1850/9.1	2000/10.5
Defrost	Mode/Type	Electric	Electric	Electric	Electric	Electric
Climatic Class	°F/H.R.	75°F-55%RH	75°F-55%RH	75°F-55%RH	75°F-55%RH	75°F-55%RH
Refrigerant Gas	Type	R404A / R452A	R404A / R452A	R404A / R452A	R404A / R452A	R404A / R452A
Pipe Size (Inches)	Suction, Liquid	5/8" Suction, 5/16" Liquid	5/8" Suction, 5/16" Liquid	5/8" Suction, 5/16" Liquid	5/8" Suction, 5/16" Liquid	5/8" Suction, 5/16" Liquid
Net Weights	Lb	350	395	440	510	550
Crated Weights	Lb	400	445	490	560	600

*DIMENSIONS ARE WITH POLISHED S/S SKIN SIDES

*Factory in its effort to upgrade and improve our products, has the right to change, modify, discontinue or change any feature, size or capacity on any model without prior notice.



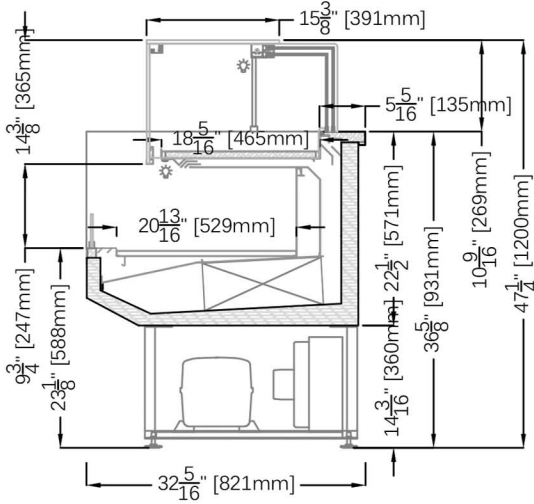
512 South Airport Blvd., South San Francisco, CA 94080
 Tel: 855.885.2400 | 650.342.2400 | Fax: 650.342.7400
 sales@oscartek.com | www.oscartek.com



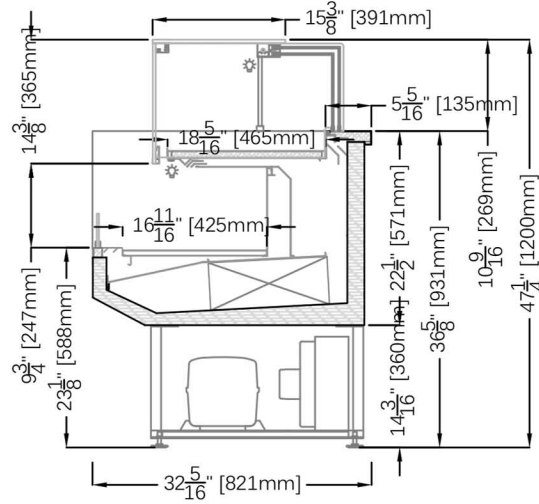
ROSA COMBI H1 & H2 REFRIGERATED TOP & BOTTOM SHOWCASE

ROSA COMBI H1 (SELF CONTAINED) SECTION VIEWS: ROSA COMBI H1 1000, 1300, 1500, 1700, 2000

**STANDARD:
REFRIGERATED TOP & BOTTOM**

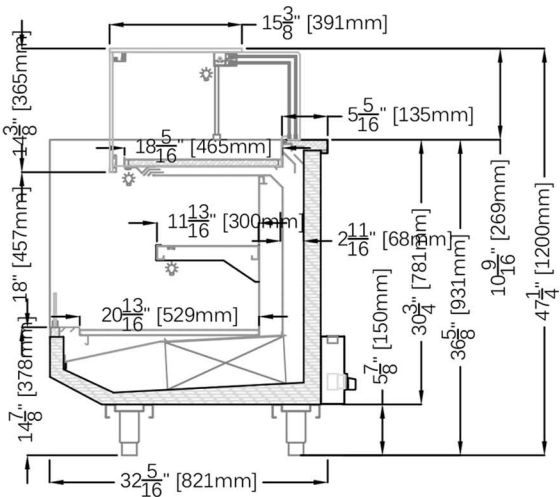


**OPTIONAL:
REFRIGERATED TOP AND BOTTOM
WITH SWITCH CONTROL FOR
REFRIGERATED TOP TO NON-REFRIGERATED TOP**

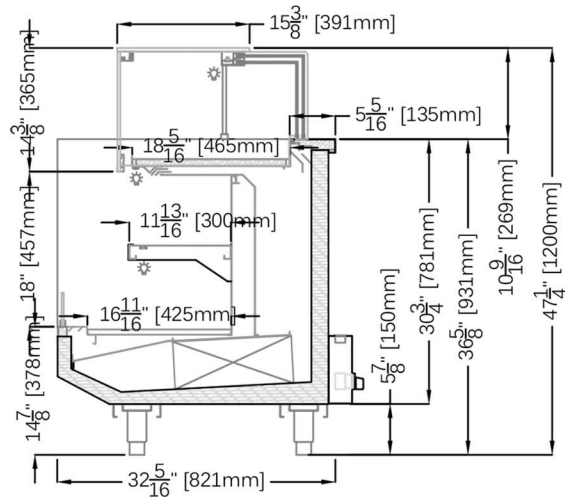


ROSA COMBI H2 (REMOTE) SECTION VIEWS: ROSA COMBI H2 1000, 1300, 1500, 1700, 2000

**STANDARD:
REFRIGERATED TOP & BOTTOM**



**OPTIONAL:
REFRIGERATED TOP AND BOTTOM
WITH SWITCH CONTROL FOR
REFRIGERATED TOP TO NON-REFRIGERATED TOP**



*Factory in its effort to upgrade and improve our products, has the right to change, modify, discontinue or change any feature, size or capacity on any model without prior notice.



512 South Airport Blvd., South San Francisco, CA 94080
Tel: 855.885.2400 | 650.342.2400 | Fax: 650.342.7400
sales@oscartek.com | www.oscartek.com

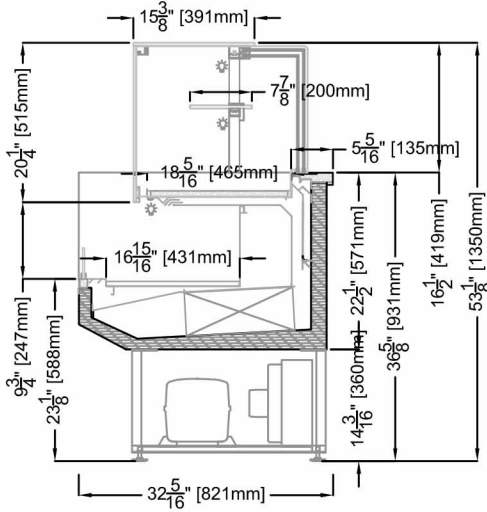


ROSA COMBI H1 & H2 REFRIGERATED TOP & BOTTOM SHOWCASE

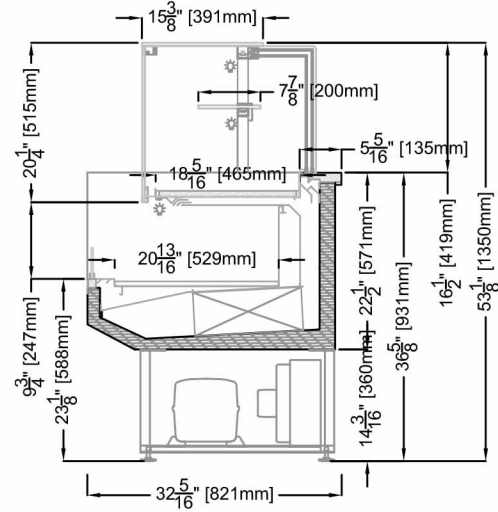
OPTIONAL: 53 1/8" H WITH NON-REFRIGERATED SHELF ROSA COMBI H1 (SELF CONTAINED) SECTION VIEWS:

ROSA COMBI H1 1000, 1300, 1500, 1700, 2000

OPTIONAL: REFRIGERATED TOP & BOTTOM



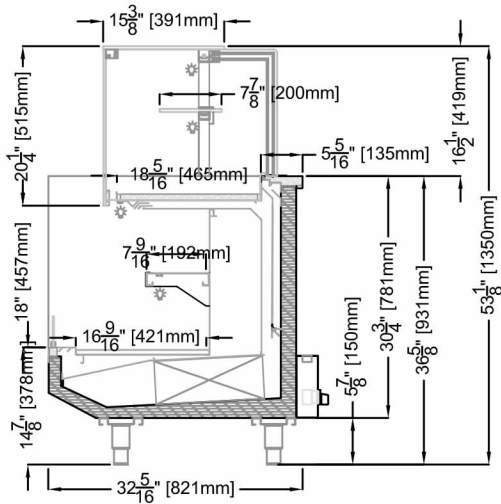
OPTIONAL: REFRIGERATED TOP AND BOTTOM WITH SWITCH CONTROL FOR REFRIGERATED TOP TO NON-REFRIGERATED TOP



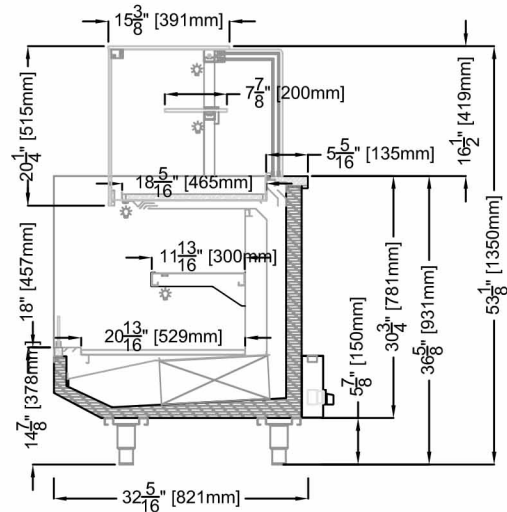
OPTIONAL: 53 1/8" H WITH NON-REFRIGERATED SHELF ROSA COMBI H2 (REMOTE) SECTION VIEWS:

ROSA COMBI H2 1000, 1300, 1500, 1700, 2000

OPTIONAL: REFRIGERATED TOP & BOTTOM



OPTIONAL: REFRIGERATED TOP AND BOTTOM WITH SWITCH CONTROL FOR REFRIGERATED TOP TO NON-REFRIGERATED TOP



*Factory in its effort to upgrade and improve our products, has the right to change, modify, discontinue or change any feature, size or capacity on any model without prior notice.

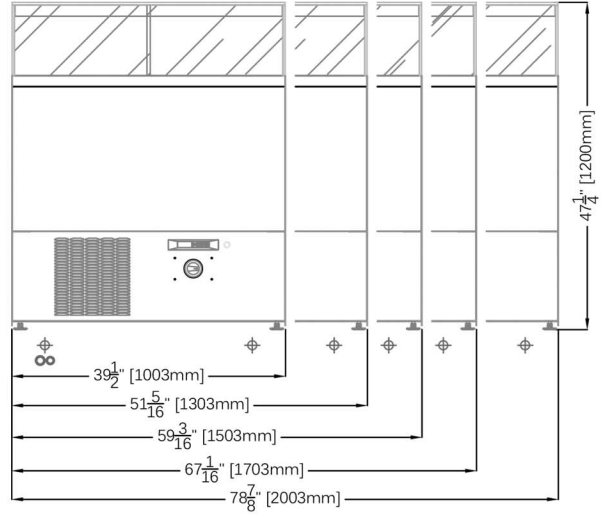
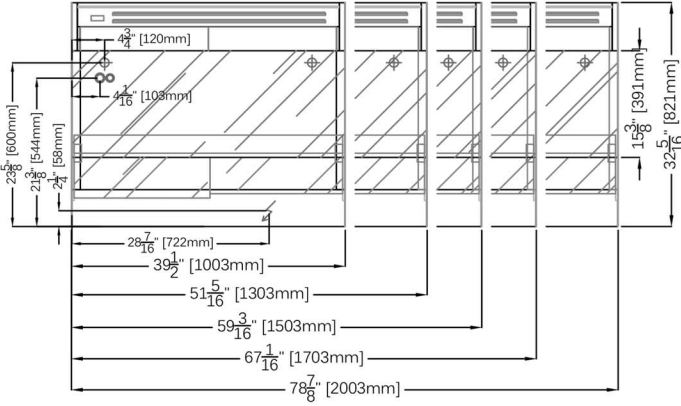


512 South Airport Blvd., South San Francisco, CA 94080
Tel: 855.885.2400 | 650.342.2400 | Fax: 650.342.7400
sales@oscartek.com | www.oscartek.com

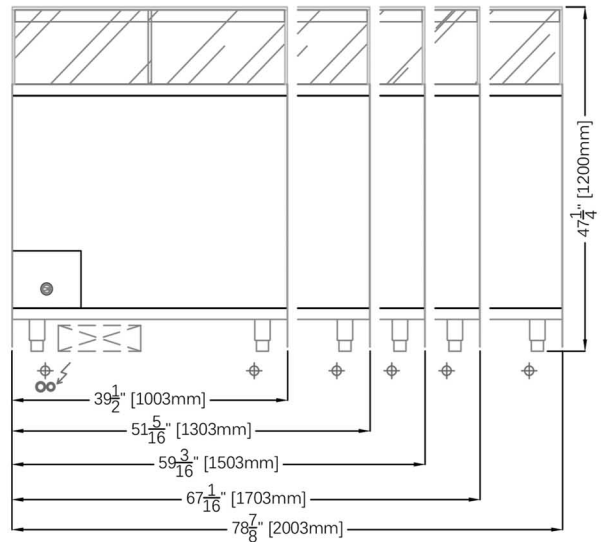
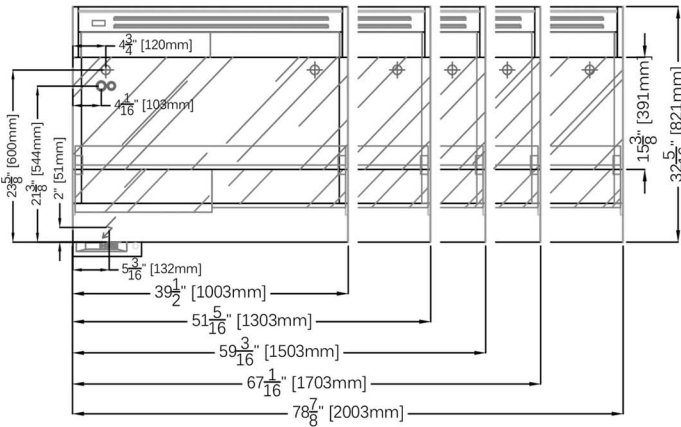


ROSA COMBI H1 & H2 REFRIGERATED TOP & BOTTOM SHOWCASE

ROSA COMBI H1 (SELF CONTAINED) PLAN VIEWS & REAR ELEVATION (OPERATOR SIDE): ROSA COMBI H1 1000, 1300, 1500, 1700, 2000



ROSA COMBI H2 (REMOTE) PLAN VIEWS & REAR ELEVATIONS (OPERATOR SIDE): ROSA COMBI H2 1000, 1300, 1500, 1700, 2000



ELECTRICAL LEGEND	
	REFRIGERATED LINES
	DRAIN
	POWER

*Factory in its effort to upgrade and improve our products, has the right to change, modify, discontinue or change any feature, size or capacity on any model without prior notice.



512 South Airport Blvd., South San Francisco, CA 94080
 Tel: 855.885.2400 | 650.342.2400 | Fax: 650.342.7400
 sales@oscartek.com | www.oscartek.com

