

OPTIMA

Self serve with style



The smallest solution to display beverage and pre-packed food, flexible and available with combi configuration with extra-clear glass top.



Discover the Art of Display...

512 South Airport Blvd., South San Francisco, CA 94080
Tel: 855.885.2400 | 650.342.2400 | Fax: 650.342.7400
sales@oscartek.com | www.oscartek.com





Discover the Art of Display...

Project Name: _____

Item #: _____ Quantity: _____

STANDARD FEATURES

- Standard 34"H, 30"D – Optima 1000, Optima 1250, Optima 1500
- Standard 35"H, 30"D – Optima 2000 only
- Solid stainless steel sides
- Dixell digital control
- Bottom evaporator ventilation cooling
- Stainless steel foam in place bottom and top
- Adjustable feet
- Roll down night curtain
- Open back shelving
- Cases ship standard polished stainless steel interior and exterior

OPTIONS

- Available in 34"H, narrow depth 26"D – Optima 1000, Optima 1250, Optima 1500
- Available in 35"H, narrow depth 26"D – Optima 2000 only
- Available in 34"H, 30"D with top glass and shelf – Combi: Optima 1000, Optima 1250, Optima 1500. Total height 50"H
- Available in 35"H, 30"D with top glass and shelf – Combi: Optima 2000 only. Total height 51"H
- Available in 34"H with night shutter – Optima 1000, Optima 1250, Optima 1500
- Available in 32 1/2"H with legs and 32 3/8"H with casters to fit case under 34"H counter by customers (30"D, narrow 26"D): Optima 1000, Optima 1250, Optima 1500
- Available in 32 1/2"H with legs and 32 3/8"H with casters (top glass with shelf – Combi). Total height 48 3/8"H: Optima 1000, Optima 1250, Optima 1500
- Black/white interior
- Remote/water cooled condensing unit
- RAL color/laminate front and side panels
- Unfinished panels to accept custom millwork by others
- Heated pan for evaporator
- Casters

OPTIMA

Self-Serve Air Screen Refrigeration Showcase

MODELS: OPTIMA 1000, OPTIMA 1250, OPTIMA 1500, OPTIMA 2000



Photo shown with optional custom finish. Standard cases are polished stainless steel front and sides.



Photo shown with optional top glass with shelf – Combi with optional RAL color front finish



Visit our website for more finishing options and RAL colors
www.oscartek.com

*Oscartek reserves the right to change, modify, discontinue, or change any features, sizes, or capacity on any model without prior notice.

OSCARTEK®
512 South Airport Blvd., South San Francisco, CA 94080
Tel: 650.342.2400 | Fax: 650.342.7400
www.oscartek.com





Discover the Art of Display...

Project Name: _____

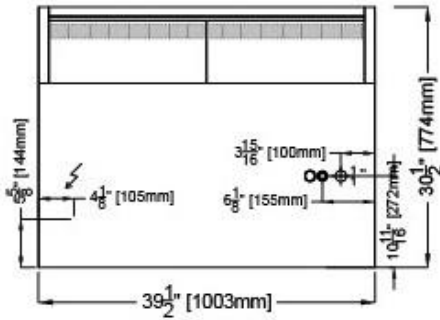
Item #: _____ Quantity: _____

OPTIMA - 34" H

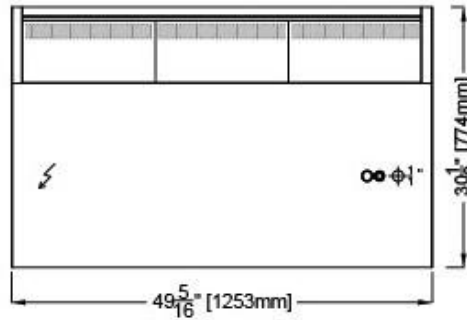
MODELS: OPTIMA 1000, OPTIMA 1250, OPTIMA 1500, OPTIMA 2000

STANDARD PLAN VIEWS:

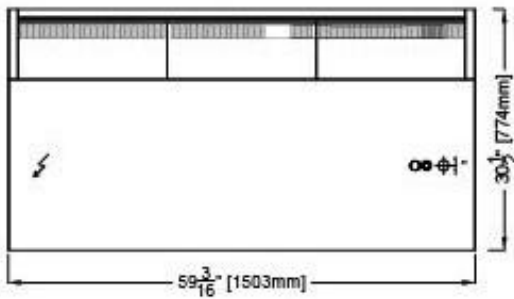
OPTIMA 1000



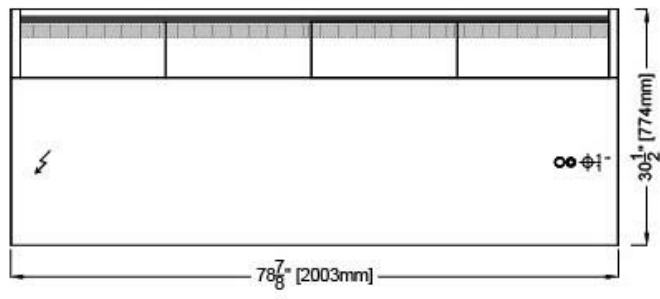
OPTIMA 1250



OPTIMA 1500



OPTIMA 2000 - 35" H



ELECTRICAL LEGEND

∞	REFRIGERATION LINES
Φ 1"	DRAIN
⚡	POWER

*Oscartek reserves the right to change, modify, discontinue, or change any features, sizes, or capacity on any model without prior notice.

OSCARTEK®
512 South Airport Blvd., South San Francisco, CA 94080
Tel: 650.342.2400 | Fax: 650.342.7400
www.oscartek.com





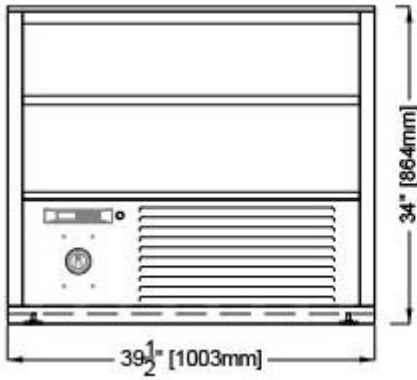
Project Name: _____
 Item #: _____ Quantity: _____

OPTIMA - 34''H

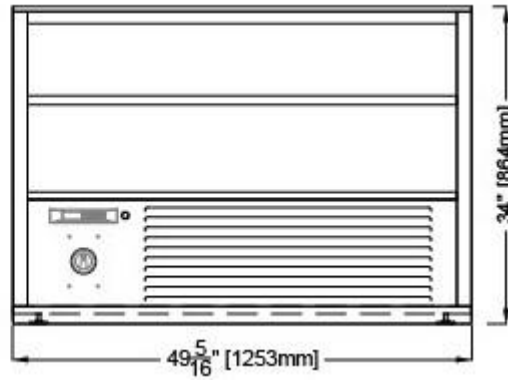
MODELS: OPTIMA 1000, OPTIMA 1250, OPTIMA 1500, OPTIMA 2000

STANDARD REAR ELEVATIONS:

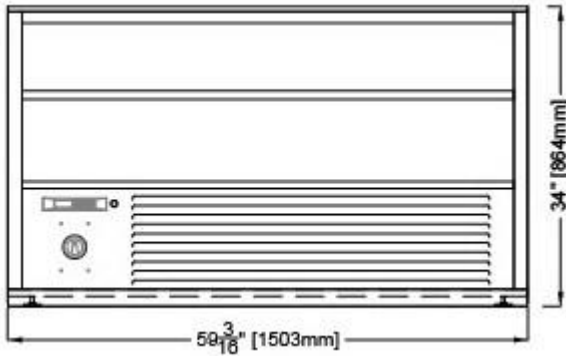
OPTIMA 1000



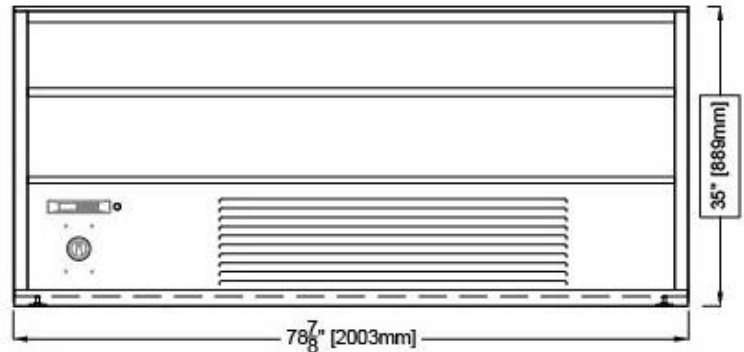
OPTIMA 1250



OPTIMA 1500



OPTIMA 2000 – 35''H



ELECTRICAL LEGEND

∞	REFRIGERATION LINES
⌀ 1"	DRAIN
⚡	POWER

*Oscartek reserves the right to change, modify, discontinue, or change any features, sizes, or capacity on any model without prior notice.

OSCARTEK®
 512 South Airport Blvd., South San Francisco, CA 94080
 Tel: 650.342.2400 | Fax: 650.342.7400
 www.oscartek.com





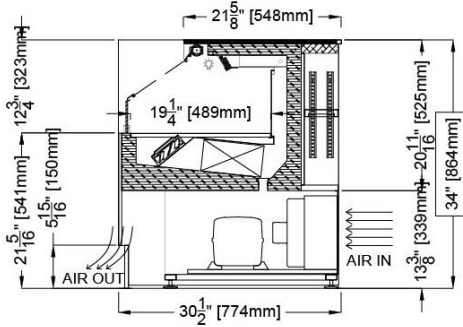
Project Name: _____
 Item #: _____ Quantity: _____

OPTIMA - 34" H

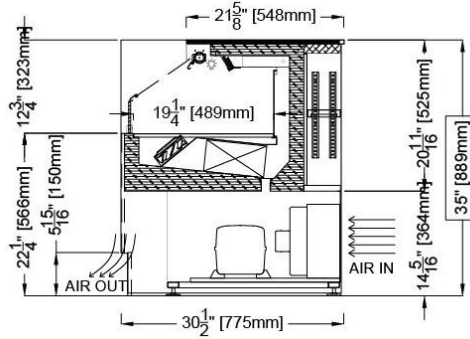
MODELS: OPTIMA 1000, OPTIMA 1250, OPTIMA 1500, OPTIMA 2000

STANDARD: 30" D SECTION VIEW

OPTIMA 1000, OPTIMA 1250, OPTIMA 1500 – 34" H

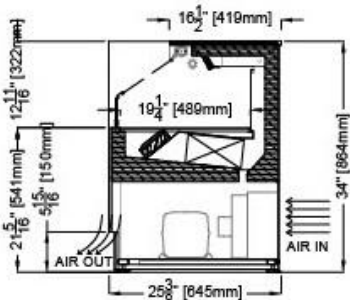


OPTIMA 2000 – 35" H

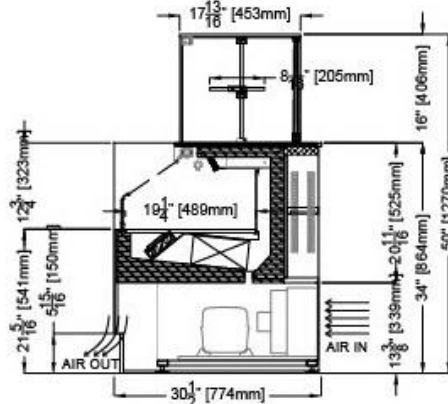


OPTIONALS SECTION VIEWS

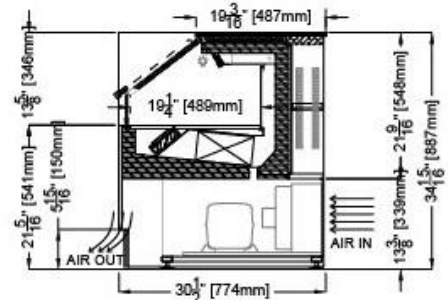
NARROW – 26" D



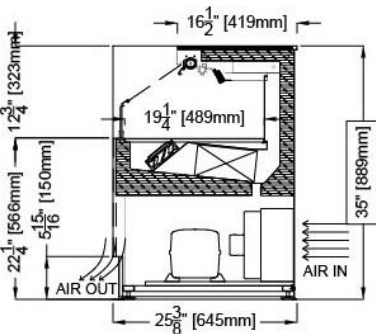
COMBI



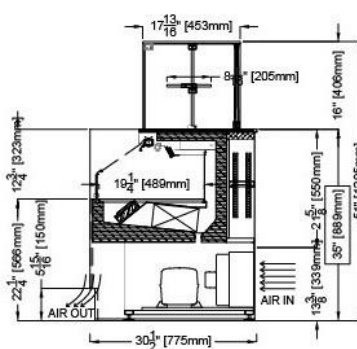
NIGHT SHUTTER



OPTIMA 2000 NARROW – 35" H



OPTIMA 2000 COMBI – 35" H



*Oscartek reserves the right to change, modify, discontinue, or change any features, sizes, or capacity on any model without prior notice.

OSCARTEK®
 512 South Airport Blvd., South San Francisco, CA 94080
 Tel: 650.342.2400 | Fax: 650.342.7400
 www.oscartek.com

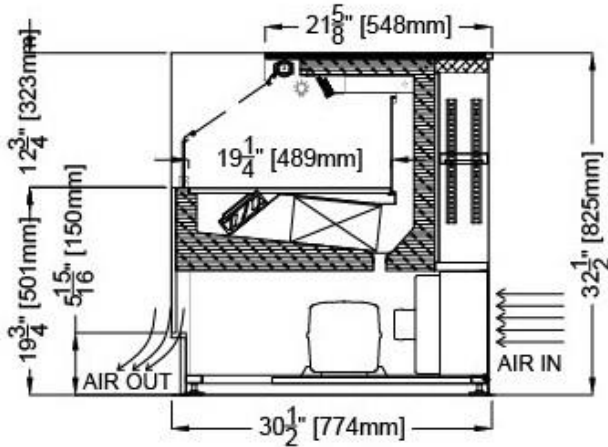


OPTIONAL: OPTIMA – 32-1/2”H

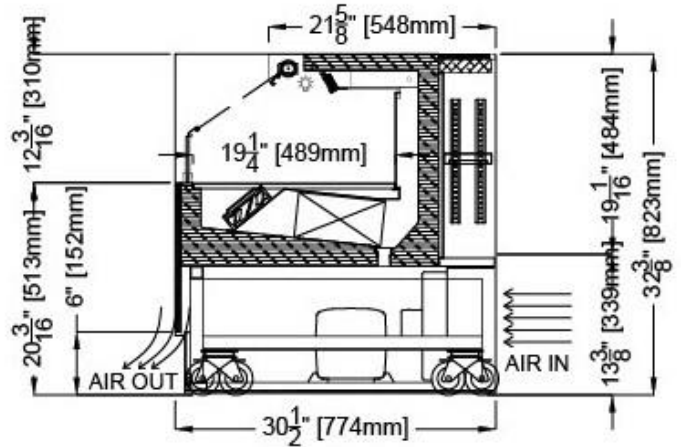
MODELS: OPTIMA 1000, OPTIMA 1250, OPTIMA 1500, OPTIMA 2000

**OPTIONALS
SECTION VIEWS**

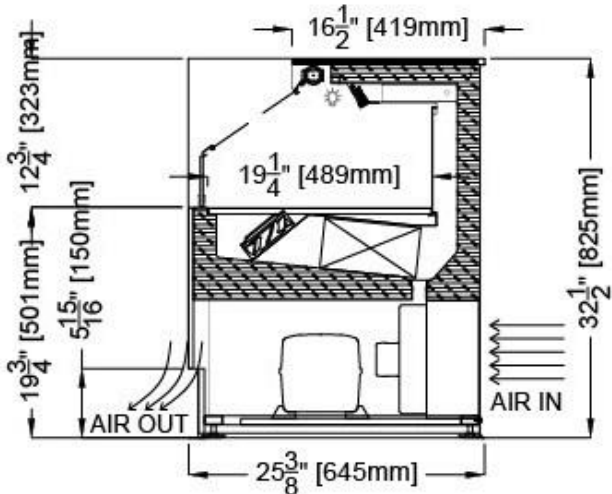
STANDARD 30”D W/ LEGS



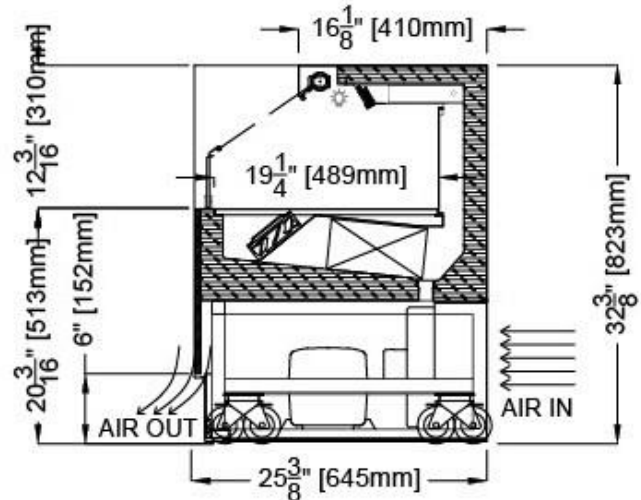
STANDARD 30”D W/ CASTERS



NARROW 26”D W/ LEGS



NARROW 26”D W/ CASTERS



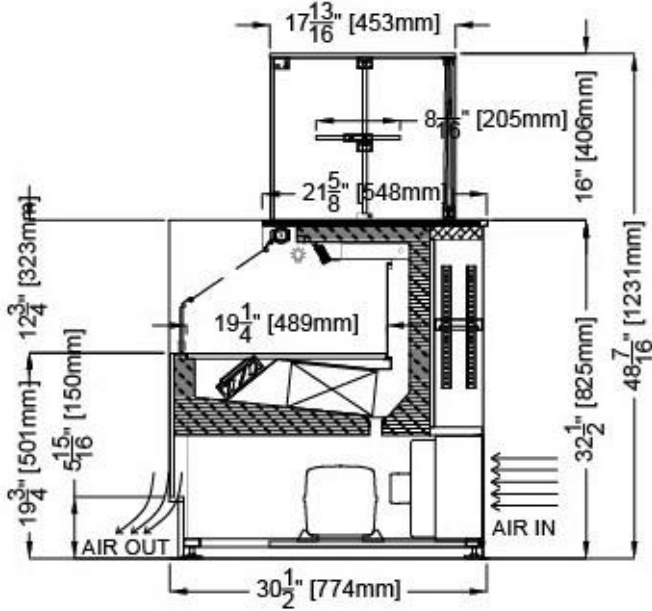
*Oscartek reserves the right to change, modify, discontinue, or change any features, sizes, or capacity on any model without prior notice.

OPTIONAL: OPTIMA – 32-1/2”H

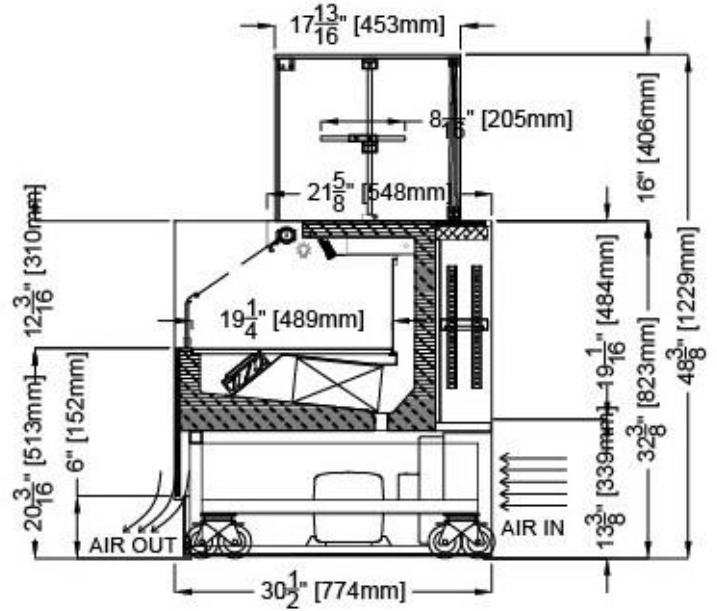
MODELS: OPTIMA 1000, OPTIMA 1250, OPTIMA 1500, OPTIMA 2000

SECTION VIEWS

COMBI W/ LEGS



COMBI W/ CASTERS



*Oscartek reserves the right to change, modify, discontinue, or change any features, sizes, or capacity on any model without prior notice.



Project Name: _____
 Item #: _____ Quantity: _____

OPTIMA - 34"H

MODELS: OPTIMA 1000, OPTIMA 1250, OPTIMA 1500, OPTIMA 2000

OPTIMA - SELF SERVE REFRIGERATION					
TECHNICAL FEATURES		MODELS			
		OPTIMA 1000 (MUROOP39F)	OPTIMA 1250 (MUROOP49F)	OPTIMA 1500 (MUROOP59F)	OPTIMA 2000
External Dimensions (L-D-H) Inches-MM	Inches MM	*39 1/2" - 30 1/2" - 34" *1003 - 775 - 864	*49 5/16" - 30 1/2" - 34" *1253 - 775 - 864	*59 3/16" - 30 1/2" - 34" *1503 - 775 - 864	*78 7/8" - 30 1/2" - 35" *2003 - 775 - 889
Crated Dimensions (L-D-H) Inches-MM	Inches MM	46" - 37" - 40" 1168 - 939 - 1016	55" - 37" - 40" 1397 - 939 - 1016	66" - 37" - 40" 1676 - 939 - 1016	86" - 37" - 41" 2184 - 939 - 1041
BTU's @ +14°F Evap Temperature	BTU'S	3600	4500	5100	6500
Electric Supply	(V/Ph/Hz)	208-220V/60Hz	208-220V/60Hz	208-220V/60Hz	208-220V/60Hz
Power Consumption	(W/A)	1500/7.5	1850/8.9	2000/10.5	2200/11.5
Operating Temperature	°F	40°F	40°F	40°F	40°F
Climatic Class	°F/H.R.	75°F-55%RH	75°F-55%RH	75°F-55%RH	75°F-55%RH
Refrigerant Gas	Type	R404A / R452A	R404A / R452A	R404A / R452A	R404A / R452A
Pipe Size (Inches)	Suction, Liquid	1/2" Suction, 1/4" Liquid	5/8" Suction, 5/16" Liquid	5/8" Suction, 5/16" Liquid	5/8" Suction, 5/16" Liquid
Net Weights	Lb	290	350	400	480
Crated Weights	Lb	370	430	480	560
* DIMENSIONS ARE WITH POLISHED S/S SIDES					
NOTES:					
1) 85°F AMBIENT AND 55% RELATIVE HUMIDITY 2) FLOOR SINK RECOMMENDED ON THESE MODELS					

*Oscartek reserves the right to change, modify, discontinue, or change any features, sizes, or capacity on any model without prior notice.

OSCARTEK®
 512 South Airport Blvd., South San Francisco, CA 94080
 Tel: 650.342.2400 | Fax: 650.342.7400
 www.oscartek.com





Discover the Art of Display...

Project Name: _____
Item #: _____ Quantity: _____



Photo shown with optional top glass with shelf - Combi and optional custom finish. Standard cases are unfinished front with polished stainless steel sides.



Visit our website for more finishing options and RAL colors
www.oscartek.com

OPTIMA PRO

Self-Serve Air Screen Refrigeration Showcase

MODELS: OPTIMA PRO 1000, OPTIMA PRO 1250, OPTIMA PRO 1500, OPTIMA PRO A90

STANDARD FEATURES

- Heated single glass sides
- Dixell digital control
- Bottom evaporator ventilation cooling
- Stainless steel foam in place bottom and top
- Adjustable feet
- Cases ship standard unfinished front with polished stainless steel sides

OPTIONS

- Top glass with shelf – Combi
- Stainless steel side panels in lieu of glass
- Black/white interior
- Remote/water cooled condensing unit
- RAL color/laminate front and side panels
- Unfinished panels to accept custom millwork by others
- Heated pan for evaporator
- Casters

*Oscartek reserves the right to change, modify, discontinue, or change any features, sizes, or capacity on any model without prior notice.

OSCARTEK®
512 South Airport Blvd., South San Francisco, CA 94080
Tel: 650.342.2400 | Fax: 650.342.7400
www.oscartek.com

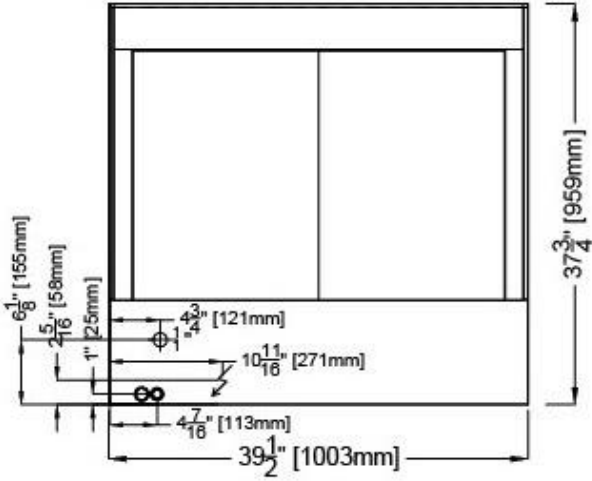


OPTIMA PRO

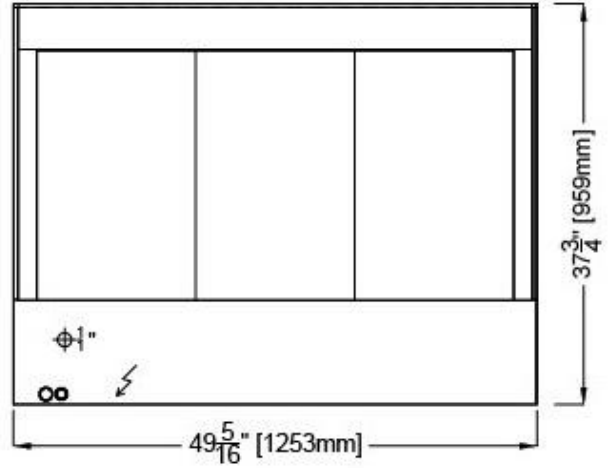
MODELS: OPTIMA PRO 1000, OPTIMA PRO 1250, OPTIMA PRO 1500, OPTIMA PRO A90

PLAN VIEWS: STANDARD

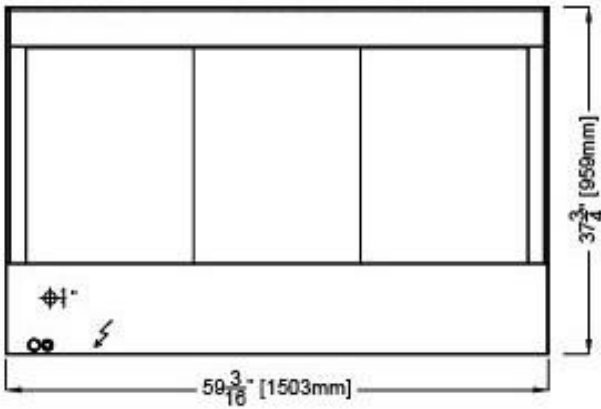
OPTIMA PRO 1000



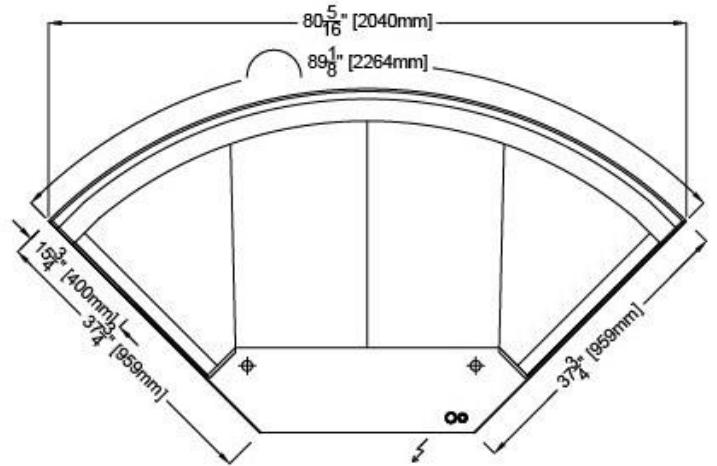
OPTIMA PRO 1250



OPTIMA PRO 1500



OPTIMA PRO A90



ELECTRICAL LEGEND

∞	REFRIGERATION LINES
⊕ 1"	DRAIN
⚡	POWER

*Oscartek reserves the right to change, modify, discontinue, or change any features, sizes, or capacity on any model without prior notice.

OSCARTEK®

512 South Airport Blvd., South San Francisco, CA 94080

Tel: 650.342.2400 | Fax: 650.342.7400

www.oscartek.com

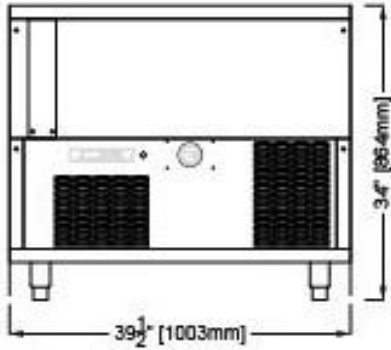


OPTIMA PRO

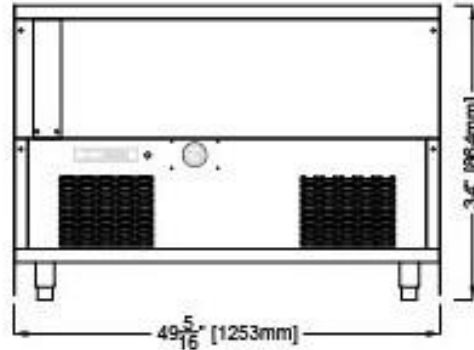
MODELS: OPTIMA PRO 1000, OPTIMA PRO 1250, OPTIMA PRO 1500, OPTIMA PRO A90

REAR ELEVATIONS: STANDARD

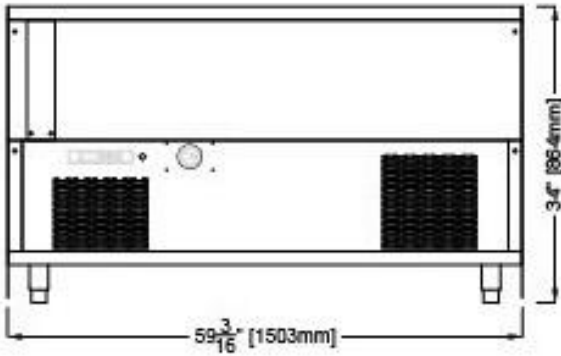
OPTIMA PRO 1000



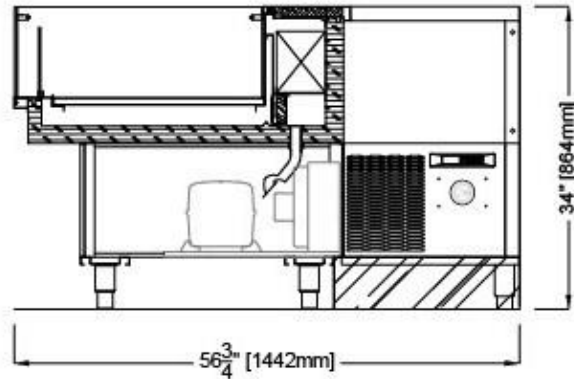
OPTIMA PRO 1250




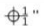

OPTIMA PRO 1500



OPTIMA PRO A90



ELECTRICAL LEGEND

	REFRIGERATION LINES
	DRAIN
	POWER

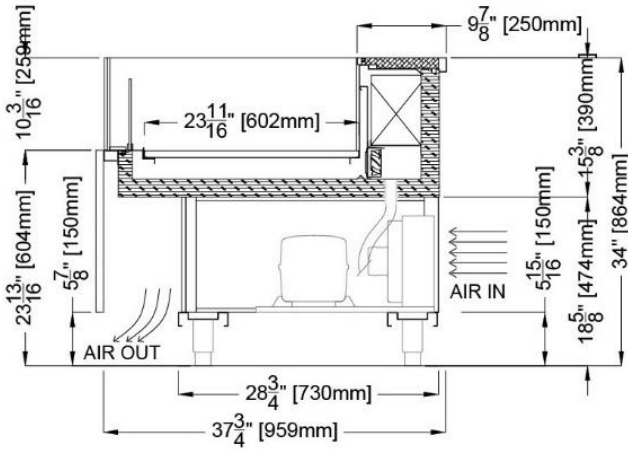
*Oscartek reserves the right to change, modify, discontinue, or change any features, sizes, or capacity on any model without prior notice.

OPTIMA PRO – LINEAR MODELS

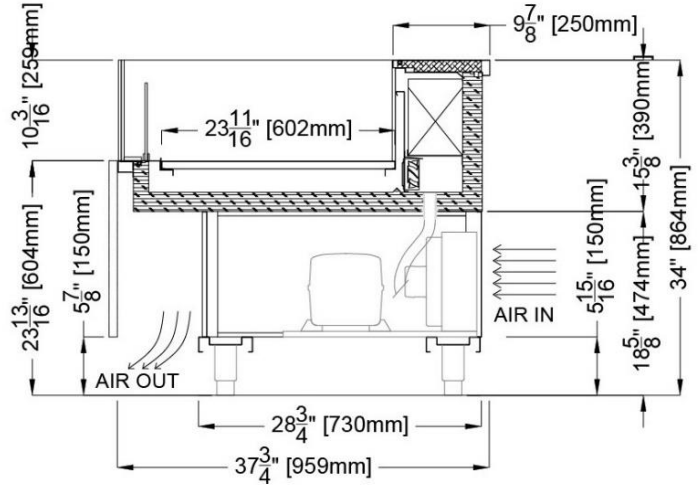
MODELS: OPTIMA PRO 1000, OPTIMA PRO 1250, OPTIMA PRO 1500, OPTIMA PRO A90

SECTION VIEWS: STANDARD

OPTIMA PRO - LINEAR MODELS

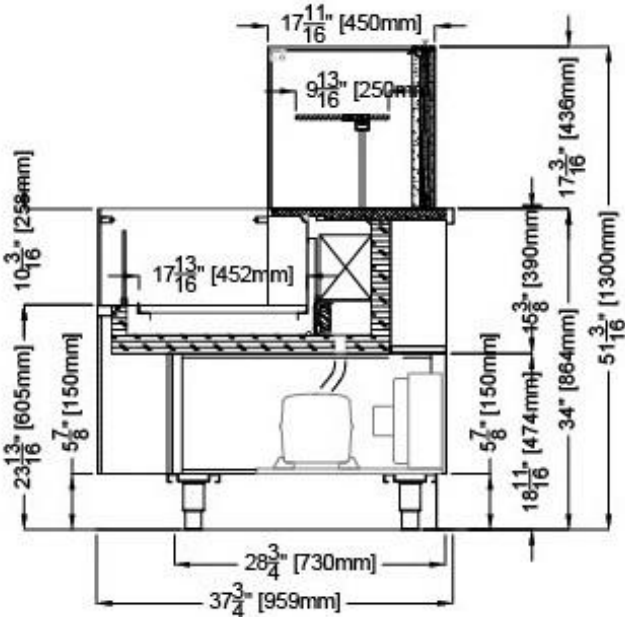


OPTIMA PRO A90

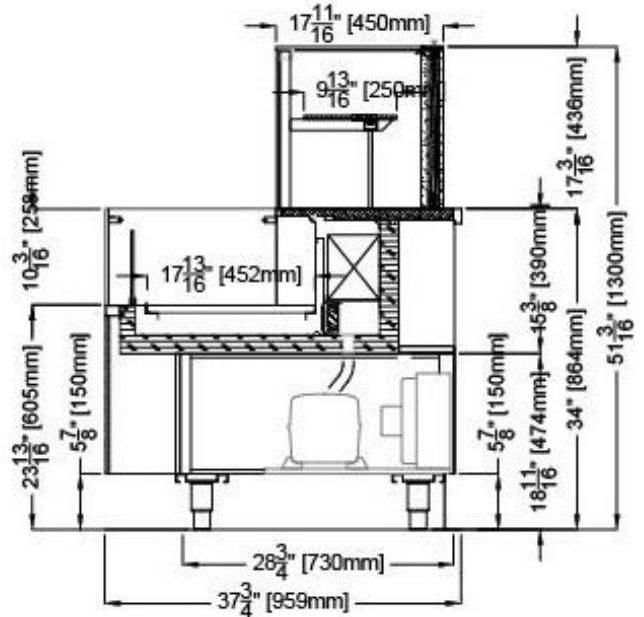


SECTION VIEWS: OPTIONALS

COMBI W/ SHELF A90 – LINEAR MODELS



COMBI W/ SHELF A90



*Oscartek reserves the right to change, modify, discontinue, or change any features, sizes, or capacity on any model without prior notice.



Discover the Art of Display...

Project Name: _____

Item #: _____ Quantity: _____

OPTIMA PRO

MODELS: OPTIMA PRO 1000, OPTIMA PRO 1250, OPTIMA PRO 1500, OPTIMA PRO A90

OPTIMA PRO - SELF SERVE REFRIGERATION					
TECHNICAL FEATURES		MODELS			
		OPTIMA PRO 1000	OPTIMA PRO 1250	OPTIMA PRO 1500	OPTIMA PRO A90
External Dimensions (L-D-H) Inches-MM	Inches MM	*39 1/2" - 37 3/4" - 34" *1003 - 959 - 864	*49 5/16" - 37 3/4" - 34" *1253 - 959 - 864	*59 3/16" - 37 3/4" - 34" *1503 - 959 - 864	*80 5/16" - 37 3/4" - 34" *2040 - 959 - 864
Crated Dimensions (L-D-H) Inches-MM	Inches MM	46" - 46" - 40" 1168 - 1168 - 1016	55" - 46" - 40" 1397 - 1168 - 1016	66" - 46" - 40" 1676 - 1168 - 1016	90" - 46" - 40" 1676 - 1168 - 1016
BTU's @ +6.8°F Evap Temperature	BTU'S	2750	3750	4450	4450
Electric Supply	(V/Ph/Hz)	208-220V/60Hz	208-220V/60Hz	208-220V/60Hz	208-220V/60Hz
Power Consumption	(W/A)	1250 / 6.5	1350 / 6.9	1500 / 7.8	1500 / 7.8
Operating Temperature	°F	40°F	40°F	40°F	40°F
Climatic Class	°F/H.R.	75°F-55%RH	75°F-55%RH	75°F-55%RH	75°F-55%RH
Refrigerant Gas	Type	R404A / R452A	R404A / R452A	R404A / R452A	R404A / R452A
Pipe Size (Inches)	Suction, Liquid	3/8" Suction, 1/4" Liquid	1/2" Suction, 1/4" Liquid	3/4" Suction, 5/16" Liquid	3/4" Suction, 5/16" Liquid
Net Weights	Lb	330	380	440	440
Crated Weights	Lb	410	460	520	520
* DIMENSIONS ARE WITH POLISHED S/S SIDES					
NOTES:					
1) 85°F AMBIENT AND 55% RELATIVE HUMIDITY 2) FLOOR SINK RECOMMENDED ON THESE MODELS					

*Oscartek reserves the right to change, modify, discontinue, or change any features, sizes, or capacity on any model without prior notice.

OSCARTEK®
512 South Airport Blvd., South San Francisco, CA 94080
Tel: 650.342.2400 | Fax: 650.342.7400
www.oscartek.com

