

ITALIA

Show your passion on a plate



A very modern and sophisticated look with a full refrigeration option for Ice cream cakes and novelty, it is available in Deli, Pastry and 4 models in Self Serve. It can tie into any Oscarstek™ Gelato and Ice cream showcase. Available in any Oscarstek™ pre-finish. LED lighting is standard.



Discover the Art of Display...

512 South Airport Blvd., South San Francisco, CA 94080
Tel: 855.885.2400 | 650.342.2400 | Fax: 650.342.7400
sales@oscartek.com | www.oscartek.com



ITALIA 2-3 GELATO/ICE CREAM SHOWCASE

STANDARD FEATURES

- Available in 2 heights available: 47"H and 53"H
- Diffused LED lighting 3000°K
- Insulated heated glass top, front, and sides
- Glass frame gray
- Sliding 90° acrylic back doors
- Electronic temperature control
- Cases ship standard unfinished front and stainless steel skin sides



Photo shown with optional RAL color finish. Standard cases are unfinished front with stainless steel skin sides.

OPTIONS

- Glass frame colors: black, white, and gold
- Extra clear glass
- 4 liter, 5 liter, 8 liter gelato pans
- Dipper well
- Cone holder
- Remote condensing unit
- Matches with Italia Deli/Pastry, Grab and Go
- RAL color/laminate front and side panels
- Popsicle display tray (stainless steel & plastic)
- Plastic available in color options (see images on right)
- Heated pan for evaporator
- Casters



Visit our website for more finishing options and RAL colors
www.oscartek.com

ITALIA 2 GELATO/ICE CREAM					
TECHNICAL FEATURES		MODELS			
		ITALIA 2 G1000	ITALIA 2 G1150 (ITL2GEL45)	ITALIA 2 G1650 (ITL2GEL65)	ITALIA 2 G2150 (ITL2GEL85)
External Dimensions (L-D-H)	Inches	*41 1/16" - 32 3/8" - 47 1/4"	*46 15/16" - 32 3/8" - 47 1/4"	*66 5/8" - 32 3/8" - 47 1/4"	*86 5/16" - 32 3/8" - 47 1/4"
	Inches-MM	*1043 - 823 - 1200	*1193 - 823 - 1200	*1693 - 823 - 1200	*2193 - 823 - 1200
Crated Dimensions (L-D-H)	Inches	49" - 38" - 54"	53" - 38" - 54"	73" - 38" - 54"	93" - 38" - 54"
	Inches-MM	1245 - 965 - 1371	1346 - 965 - 1371	1854 - 965 - 1371	2362 - 965 - 1371
4 Liter Pan Capacity** 10 1/8" x 6 1/8" x 5 7/8" (258mm x 156mm x 150mm)	Pan Configuration				
5 Liter Pan Capacity** 14 3/16" x 6 1/2" x 4 3/4" (360mm x 165mm x 120mm)	Pan Configuration				
8 Liter Pan Capacity** 14 3/16" x 9 13/16" x 4 3/4" (360mm x 250mm x 120mm)	Pan Configuration				
Refrigeration	Type	Fan Ventilated	Fan Ventilated	Fan Ventilated	Fan Ventilated
Refrigeration Display Area	Type	Deck	Deck	Deck	Deck
Operating Temperature	°F	-0.4°F	-0.4°F	-0.4°F	-0.4°F
Compressor	Nr./Type	1 / Hermetic	1 / Hermetic	1 / Hermetic	1 / Hermetic
BTU'S @ -31°F Expansion Temperature	BTU's	2000	2000	2600	3400
Electric Supply	V/Ph/Hz	208-220/1/60	208-220/1/60	208-220/1/60	208-220/1/60
Power Consumption	W/A	1700/9.0	1700/9.0	2100/10.1	2700/14.5
Defrost	Mode/Type	Hot Gas	Hot Gas	Hot Gas	Hot Gas
Climatic Class	°F/H.R.	75°F-55%RH	75°F-55%RH	75°F-55%RH	75°F-55%RH
Refrigerant Gas	Type	R404A / R452A	R404A / R452A	R404A / R452A	R404A / R452A
Pipe Size (Inches)	Suction, Liquid	5/8" Suction, 3/8" Liquid	5/8" Suction, 3/8" Liquid	5/8" Suction, 3/8" Liquid	3/4" Suction, 3/8" Liquid
Net Weights	Lb	350	360	430	590
Crated Weights	Lb	400	410	505	665

* DIMENSIONS WITH STANDARD POLISHED S/S SKIN SIDES

** PANS NOT INCLUDED

*Factory in its effort to upgrade and improve our products, has the right to change, modify, discontinue or change any feature, size or capacity on any model without prior notice.



512 South Airport Blvd., South San Francisco, CA 94080
Tel: 855.885.2400 | 650.342.2400 | Fax: 650.342.7400
sales@oscartek.com | www.oscartek.com



ITALIA 2-3 GELATO/ICE CREAM SHOWCASE

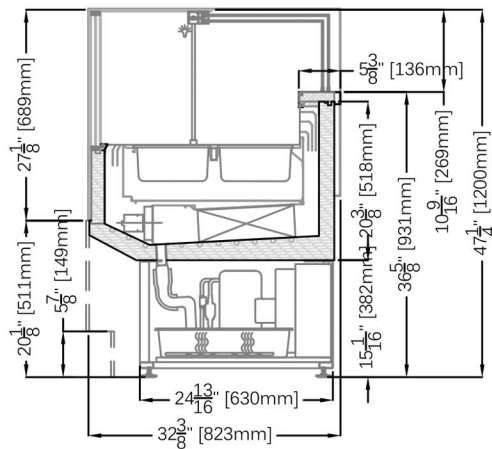
		ITALIA 3 GELATO/ICE CREAM			
TECHNICAL FEATURES		MODELS			
		ITALIA 3 G1000	ITALIA 3 G1150 (ITL3GEL45)	ITALIA 3 G1650 (ITL3GEL65)	ITALIA 3 G2150 (ITL3GEL85)
External Dimensions (L-D-H)	Inches	*41 1/16" - 32 3/8" - 53 1/8"	*46 15/16" - 32 3/8" - 53 1/8"	*66 5/8" - 32 3/8" - 53 1/8"	*86 5/16" - 32 3/8" - 53 1/8"
	MM	*1043 - 823 - 1350	*1193 - 823 - 1350	*1693 - 823 - 1350	*2193 - 823 - 1350
Crated Dimensions (L-D-H)	Inches	49" - 38" - 60"	53" - 38" - 60"	73" - 38" - 60"	93" - 38" - 60"
	MM	1245 - 965 - 1524	1346 - 965 - 1524	1854 - 965 - 1524	2362 - 965 - 1524
4 Liter Pan Capacity** 10 1/8" x 6 1/8" x 5 7/8" (258mm x 156mm x 150mm)	Pan Configuration				
5 Liter Pan Capacity** 14 3/16" x 6 1/2" x 4 3/4" (360mm x 165mm x 120mm)	Pan Configuration				
8 Liter Pan Capacity** 14 3/16" x 9 13/16" x 4 3/4" (360mm x 250mm x 120mm)	Pan Configuration				
Refrigeration	Type	Fan Ventilated	Fan Ventilated	Fan Ventilated	Fan Ventilated
Refrigeration Display Area	Type	Deck	Deck	Deck	Deck
Operating Temperature	°F	-0.4°F	-0.4°F	-0.4°F	-0.4°F
Compressor	Nr./Type	1 / Hermetic	1 / Hermetic	1 / Hermetic	1 / Hermetic
BTU'S @ -31°F Expansion Temperature	BTU's	2000	2000	2600	3400
Electric Supply	V/Ph/Hz	208-220/1/60	208-220/1/60	208-220/1/60	208-220/1/60
Power Consumption	W/A	1700/9.0	1700/9.0	2100/10.1	2700/14.5
Defrost	Mode/Type	Hot Gas	Hot Gas	Hot Gas	Hot Gas
Climatic Class	°F/H.R.	75°F-55%RH	75°F-55%RH	75°F-55%RH	75°F-55%RH
Refrigerant Gas	Type	R404A / R452A	R404A / R452A	R404A / R452A	R404A / R452A
Pipe Size (Inches)	Suction, Liquid	5/8" Suction, 3/8" Liquid	5/8" Suction, 3/8" Liquid	5/8" Suction, 3/8" Liquid	3/4" Suction, 3/8" Liquid
Net Weights	Lb	370	380	460	640
Crated Weights	Lb	420	430	535	715

* DIMENSIONS WITH STANDARD POLISHED S/S SKIN SIDES

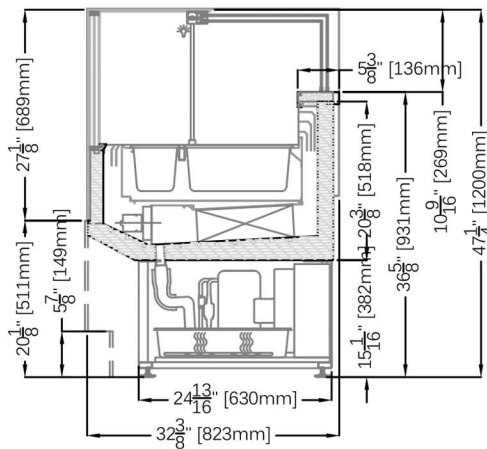
* PANS NOT INCLUDED

ITALIA 2 SECTION VIEWS: ITALIA 2 G1000, G1150, G1650, G2150

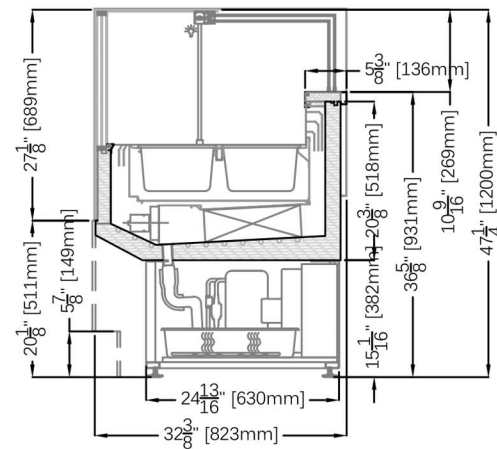
4 LITER PANS



5 LITER PANS



8 LITER PANS



*Factory in its effort to upgrade and improve our products, has the right to change, modify, discontinue or change any feature, size or capacity on any model without prior notice.



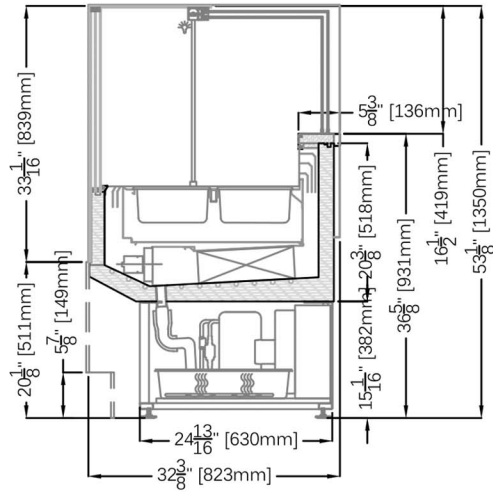
512 South Airport Blvd., South San Francisco, CA 94080
 Tel: 855.885.2400 | 650.342.2400 | Fax: 650.342.7400
 sales@oscartek.com | www.oscartek.com



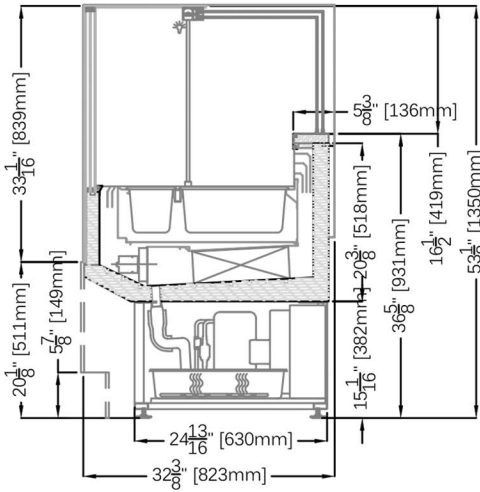
ITALIA 2-3 GELATO/ICE CREAM SHOWCASE

ITALIA 3 SECTION VIEWS: ITALIA 3 G1000, G1150, G1650, G2150

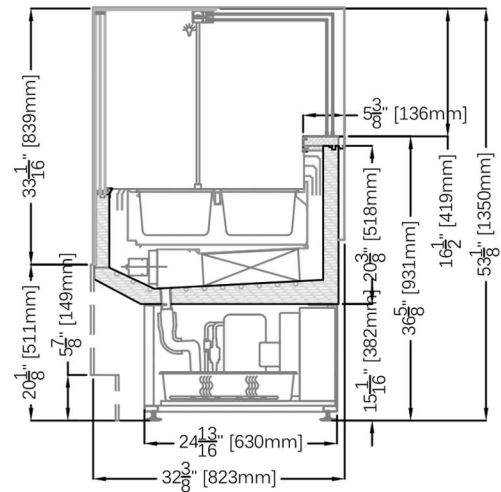
4 LITER PANS



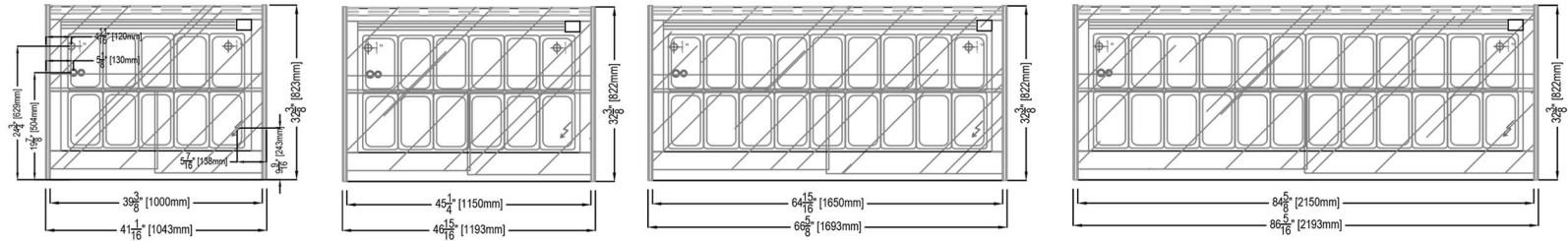
5 LITER PANS



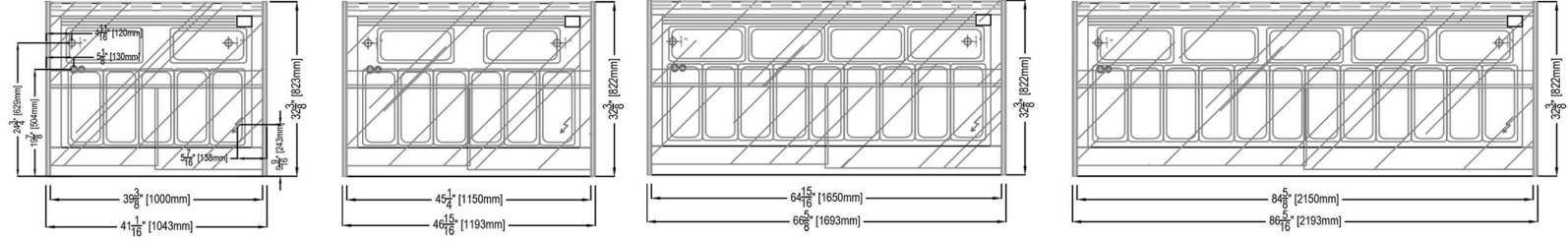
8 LITER PANS



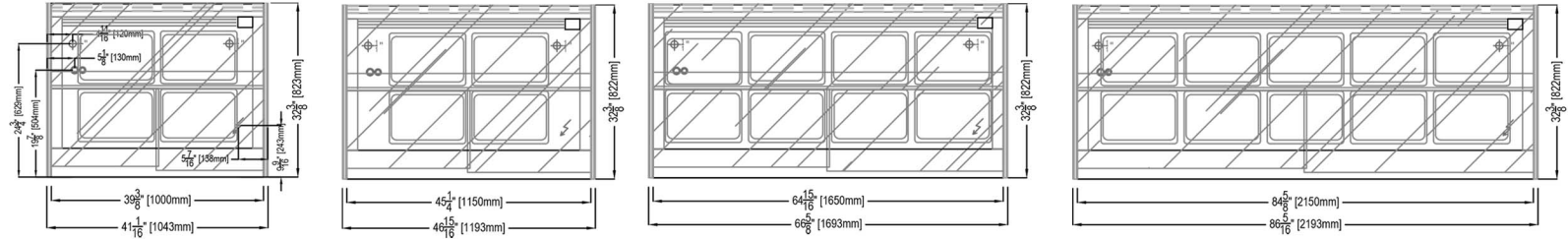
ITALIA 2-3 PLAN VIEWS - 4 LITER PANS: ITALIA 2-3 G1000, G1150, G1650, G2150



ITALIA 2-3 PLAN VIEWS - 5 LITER PANS: ITALIA 2-3 G1000, G1150, G1650, G2150



ITALIA 2-3 PLAN VIEWS - 8 LITER PANS: ITALIA 2-3 G1000, G1150, G1650, G2150



ELECTRICAL LEGEND

	REFRIGERATED LINES
	DRAIN
	POWER

*Factory in its effort to upgrade and improve our products, has the right to change, modify, discontinue or change any feature, size or capacity on any model without prior notice.

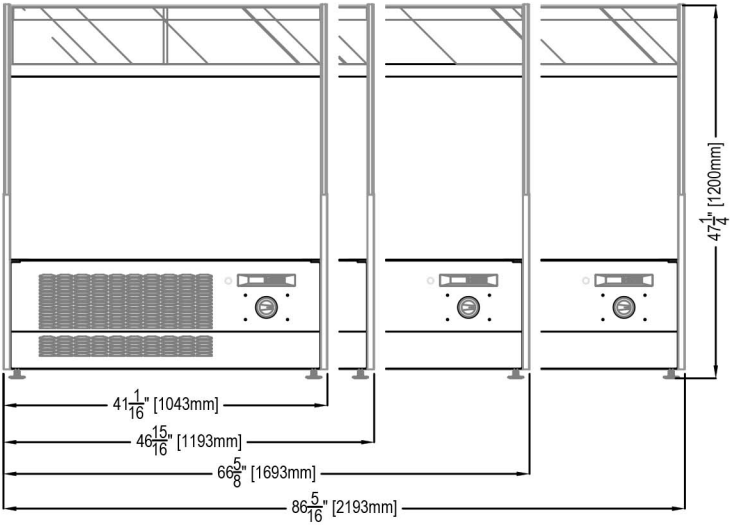


512 South Airport Blvd., South San Francisco, CA 94080
 Tel: 855.885.2400 | 650.342.2400 | Fax: 650.342.7400
 sales@oscartek.com | www.oscartek.com

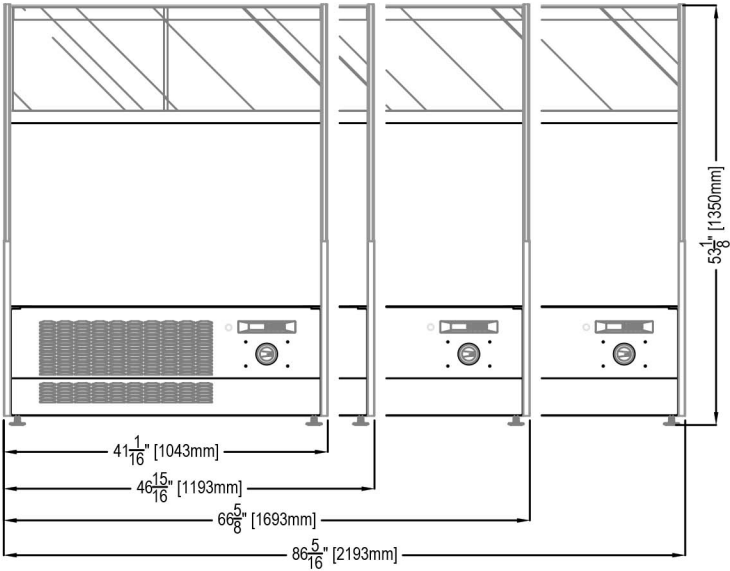


ITALIA 2-3 GELATO/ICE CREAM SHOWCASE

ITALIA 2 REAR ELEVATIONS (OPERATOR SIDE): ITALIA 2 G1000, G1150, G1650, G2150



ITALIA 3 REAR ELEVATIONS (OPERATOR SIDE): ITALIA 3 G1000, G1150, G1650, G2150



*Factory in its effort to upgrade and improve our products, has the right to change, modify, discontinue or change any feature, size or capacity on any model without prior notice.



512 South Airport Blvd., South San Francisco, CA 94080
 Tel: 855.885.2400 | 650.342.2400 | Fax: 650.342.7400
 sales@oscartek.com | www.oscartek.com



ITALIA 2-3 GELATO/ICE CREAM ROUND TUBS SHOWCASE

STANDARD FEATURES

- Available in 2 heights available: 47"H and 53"H
- Diffused LED lighting 3000°K
- Insulated heated glass top, front, and sides
- Glass frame gray
- Sliding 90° acrylic back doors
- Electronic temperature control
- Cases ship standard unfinished front and stainless steel skin sides

OPTIONS

- Glass frame colors: black, white, and gold
- Extra clear glass
- 3 gallon round tubs dim. Ø9 5/8"-10"H
- Dipper well
- Cone holder
- Remote condensing unit
- Matches with Italia Deli/Pastry, Grab and Go
- Heated pan for evaporator
- Casters
- RAL color/laminate front and side panels
- Popsicle display tray (stainless steel & plastic)
- Plastic available in color options (see images on right)



Photo shown with optional RAL color finish. Standard cases are unfinished front with stainless steel skin sides.



Visit our website for more finishing options and RAL colors
www.oscartek.com

ITALIA 2 GELATO/ICE CREAM ROUND TUBS					
TECHNICAL FEATURES		MODELS			
		ITALIA 2 ICRT1000	ITALIA 2 ICRT1150 (ITL2GEL45)	ITALIA 2 ICRT1650 (ITL2GEL65)	ITALIA 2 ICRT2150 (ITL2GEL85)
External Dimensions (L-D-H) Inches-MM	Inches MM	*41 1/16" - 32 3/8" - 47 1/4" *1043 - 823 - 1200	*46 15/16" - 32 3/8" - 47 1/4" *1193 - 823 - 1200	*66 5/8" - 32 3/8" - 47 1/4" *1693 - 823 - 1200	*86 5/16" - 32 3/8" - 47 1/4" *2193 - 823 - 1200
Crated Dimensions (L-D-H) Inches-MM	Inches MM	49" - 38" - 54" 1245 - 965 - 1371	53" - 38" - 54" 1346 - 965 - 1371	73" - 38" - 54" 1854 - 965 - 1371	93" - 38" - 54" 2362 - 965 - 1371
3 Gallon Tubs Capacity** 10" x 9 5/8" x 8 3/4" (254mm x 245mm x 222mm)	Round Tubs Configuration	6	8	12	16
Refrigeration	Type	Fan Ventilated	Fan Ventilated	Fan Ventilated	Fan Ventilated
Refrigeration Display Area	Type	Deck	Deck	Deck	Deck
Operating Temperature	°F	-0.4°F	-0.4°F	-0.4°F	-0.4°F
Compressor	Nr./Type	1 / Hermetic	1 / Hermetic	1 / Hermetic	1 / Hermetic
BTU'S @ -31°F Expansion Temperature	BTU's	2000	2000	2600	3400
Electric Supply	V/Ph/Hz	208-220/1/60	208-220/1/60	208-220/1/60	208-220/1/60
Power Consumption	W/A	1700/9.0	1700/9.0	2100/10.1	2700/14.5
Defrost	Mode/Type	Hot Gas	Hot Gas	Hot Gas	Hot Gas
Climatic Class	°F/H.R.	75°F-55%RH	75°F-55%RH	75°F-55%RH	75°F-55%RH
Refrigerant Gas	Type	R404A / R452A	R404A / R452A	R404A / R452A	R404A / R452A
Pipe Size (Inches)	Suction, Liquid	5/8" Suction, 3/8" Liquid	5/8" Suction, 3/8" Liquid	5/8" Suction, 3/8" Liquid	3/4" Suction, 3/8" Liquid
Net Weights	Lb	350	360	430	590
Crated Weights	Lb	400	410	505	665

* DIMENSIONS WITH STANDARD POLISHED S/S SKIN SIDES

**ROUND TUBS NOT INCLUDED

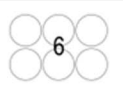
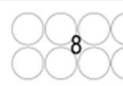
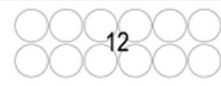
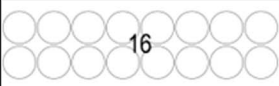
*Factory in its effort to upgrade and improve our products, has the right to change, modify, discontinue or change any feature, size or capacity on any model without prior notice.



512 South Airport Blvd., South San Francisco, CA 94080
 Tel: 855.885.2400 | 650.342.2400 | Fax: 650.342.7400
sales@oscartek.com | www.oscartek.com



ITALIA 2-3 GELATO/ICE CREAM ROUND TUBS SHOWCASE

ITALIA 3 GELATO/ICE CREAM ROUND TUBS					
TECHNICAL FEATURES		MODELS			
		ITALIA 3 ICRT1000	ITALIA 3 ICRT1150 (ITL3GEL45)	ITALIA 3 ICRT1650 (ITL3GEL65)	ITALIA 3 ICRT2150 (ITL3GEL85)
External Dimensions (L-D-H)	Inches	*41 1/16" - 32 3/8" - 53 1/8"	*46 15/16" - 32 3/8" - 53 1/8"	*66 5/8" - 32 3/8" - 53 1/8"	*86 5/16" - 32 3/8" - 53 1/8"
Inches-MM	MM	*1043 - 823 - 1350	*1193 - 823 - 1350	*1693 - 823 - 1350	*2193 - 823 - 1350
Crated Dimensions (L-D-H)	Inches	49" - 38" - 60"	53" - 38" - 60"	73" - 38" - 60"	93" - 38" - 60"
Inches-MM	MM	1245 - 965 - 1524	1346 - 965 - 1524	1854 - 965 - 1524	2362 - 965 - 1524
3 Gallon Tubs Capacity** 10" x 9 5/8" x 8 3/4" (254mm x 245mm x 222mm)	Round Tubs Configuration	 6	 8	 12	 16
Refrigeration	Type	Fan Ventilated	Fan Ventilated	Fan Ventilated	Fan Ventilated
Refrigeration Display Area	Type	Deck	Deck	Deck	Deck
Operating Temperature	°F	-0.4°F	-0.4°F	-0.4°F	-0.4°F
Compressor	Nr./Type	1 / Hermetic	1 / Hermetic	1 / Hermetic	1 / Hermetic
BTU'S @ -31°F Expansion Temperature	BTU's	2000	2000	2600	3400
Electric Supply	V/Ph/Hz	208-220/1/60	208-220/1/60	208-220/1/60	208-220/1/60
Power Consumption	W/A	1700/9.0	1700/9.0	2100/10.1	2700/14.5
Defrost	Mode/Type	Hot Gas	Hot Gas	Hot Gas	Hot Gas
Climatic Class	°F/H.R.	75°F-55%RH	75°F-55%RH	75°F-55%RH	75°F-55%RH
Refrigerant Gas	Type	R404A / R452A	R404A / R452A	R404A / R452A	R404A / R452A
Pipe Size (Inches)	Suction, Liquid	5/8" Suction, 3/8" Liquid	5/8" Suction, 3/8" Liquid	5/8" Suction, 3/8" Liquid	3/4" Suction, 3/8" Liquid
Net Weights	Lb	370	380	460	640
Crated Weights	Lb	420	430	535	715

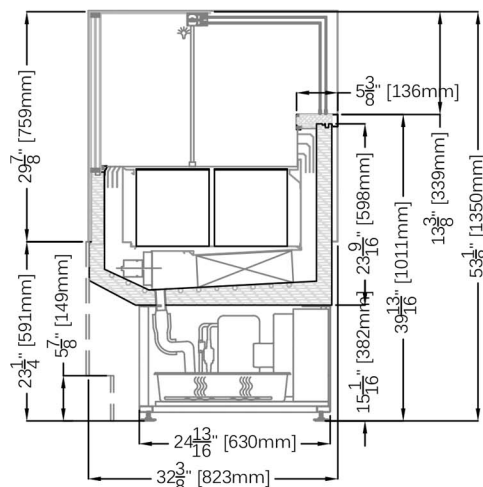
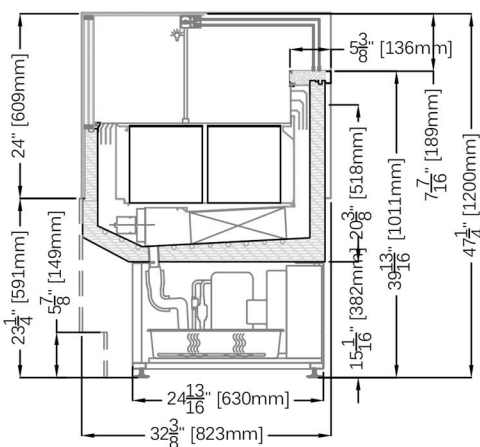
* DIMENSIONS WITH STANDARD POLISHED S/S SKIN SIDES

** ROUND TUBS NOT INCLUDED

SECTION VIEWS: ITALIA 2-3 ICRT1000, ICRT1150, ICRT1650, ICRT2150

ITALIA 3 - 53 1/8"H

ITALIA 2 - 47 1/4"H




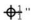

*Factory in its effort to upgrade and improve our products, has the right to change, modify, discontinue or change any feature, size or capacity on any model without prior notice.



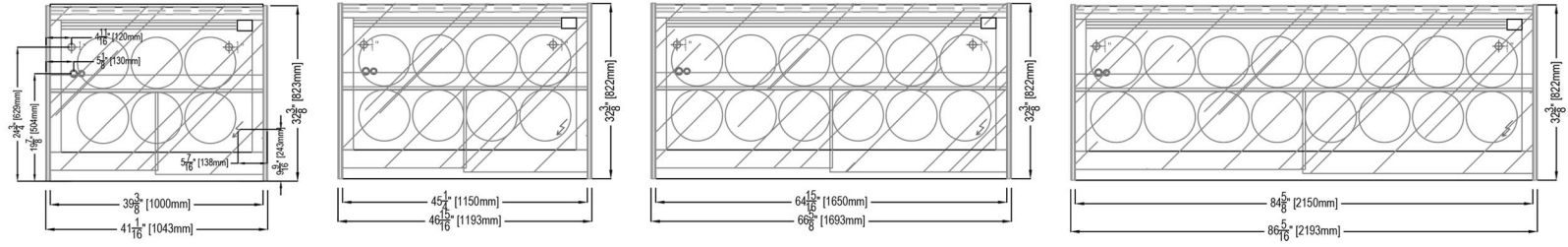
512 South Airport Blvd., South San Francisco, CA 94080
 Tel: 855.885.2400 | 650.342.2400 | Fax: 650.342.7400
 sales@oscartek.com | www.oscartek.com



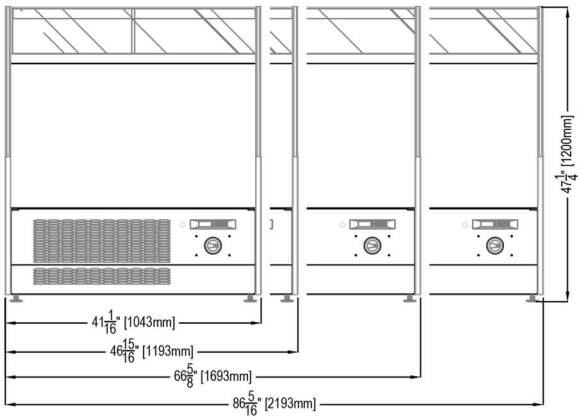
ITALIA 2-3 GELATO/ICE CREAM ROUND TUBS SHOWCASE

ELECTRICAL LEGEND	
	REFRIGERATED LINES
	DRAIN
	POWER

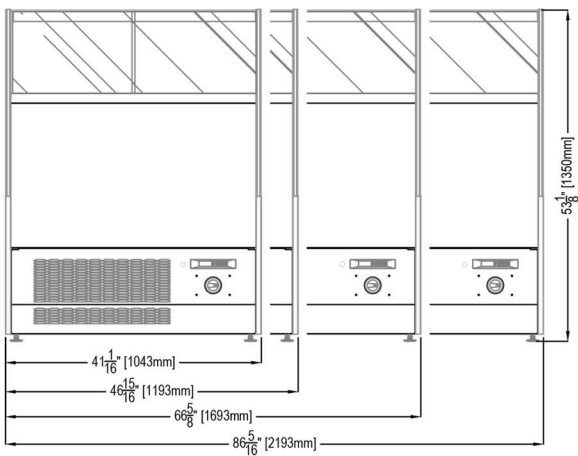
ITALIA 2-3 PLAN VIEWS : ITALIA 2-3 ICRT1000, ICRT1150, ICRT1650, ICRT2150



ITALIA 2 REAR ELEVATIONS (OPERATOR SIDE) : ITALIA 2 ICRT1000, ICRT1150, ICRT1650, ICRT2150



ITALIA 3 REAR ELEVATIONS (OPERATOR SIDE) : ITALIA 3 ICRT1000, ICRT1150, ICRT1650, ICRT2150



*Factory in its effort to upgrade and improve our products, has the right to change, modify, discontinue or change any feature, size or capacity on any model without prior notice.



512 South Airport Blvd., South San Francisco, CA 94080
 Tel: 855.885.2400 | 650.342.2400 | Fax: 650.342.7400
 sales@oscartek.com | www.oscartek.com



ITALIA 1-2-3 BT FROZEN NOVELTY SHOWCASE

STANDARD FEATURES

- Available in 3 heights: 45"H, 47"H, 53"H
- Diffused LED lighting 3000°K
- Highest showcase capacity for horizontal cake
- Energy saving triple pane front & top glass
- Heated tempered triple pane side glass
- Glass frame gray
- Stainless steel interior
- Hinged heated double pane tempered glass doors
- Even temperature distribution on all shelves
- Tropicalized Condensing unit for extreme weather
- 208-220V/60Hz OR 50Hz as standard
- Ecologically friendly insulation and lowest energy consumption
- Cases ship standard unfinished front and stainless steel skin sides



Photos shown with optional stainless steel finish and RAL color finish. Standard cases are unfinished front with stainless steel skin sides.



Visit our website for more finishing options and RAL colors
www.oscartek.com

OPTIONS

- Italia BT - profile to match Rosa, Italia and Muro self service
- RAL color finish/wood laminate front and side panels
- Glass frame colors: black, white, and gold
- Heated pan for evaporator
- Casters

ITALIA 1-2-3 BT FROZEN NOVELTY

TECHNICAL FEATURES		MODELS		
		ITALIA 1 BT1200 (ITL1BT47)	ITALIA 2 BT1200 (ITL2BT47)	ITALIA 3 BT1200 (ITL3BT47)
External Dimensions (L-D-H)	Inches	*47 3/8" - 34 7/8" - 45 1/4"	*47 3/8" - 34 7/8" - 47 1/4"	*47 3/8" - 34 7/8" - 53 1/8"
	Inches-MM			
	MM	*1204 - 886 - 1150	*1204 - 886 - 1200	*1204 - 886 - 1350
Crated Dimensions (L-D-H)	Inches	54 - 41" - 52"	54 - 41" - 54"	54 - 41" - 60"
	Inches-MM			
	MM	1371 - 1041 - 1320	1371 - 1041 - 1371	1371 - 1041 - 1524
Operating Temperature	°F	0°-10°F to 10°F	0°-10°F to 10°F	0°-10°F to 10°F
Compressor	Nr./Type	Hermetic	Hermetic	Hermetic
BTU's @ -31°F Expansion Temperature	BTU's	2750	2902	3243
Electric Supply	V/Ph/Hz	208-220/1/60	208-220/1/60	208-220/1/60
Power Consumption	W/A	2000/10.5	2200/11.1	2400/12.1
Defrost Reverse Cycle	Mode/Type	4 Minutes	4 Minutes	4 Minutes
Climatic Class	°F/H.R.	75°F-55%RH	75°F-55%RH	75°F-55%RH
Refrigerant Gas	Type	R404A / R452A	R404A / R452A	R404A / R452A
Pipe Size (Inches)	Suction, Liquid	3/4" Suction, 3/8" Liquid	3/4" Suction, 3/8" Liquid	3/4" Suction, 3/8" Liquid
Net Weights	Lb	465	530	595
Crated Weights	Lb	515	580	645

* DIMENSIONS ARE WITHOUT SIDE PANELS

*Factory in its effort to upgrade and improve our products, has the right to change, modify, discontinue or change any feature, size or capacity on any model without prior notice.

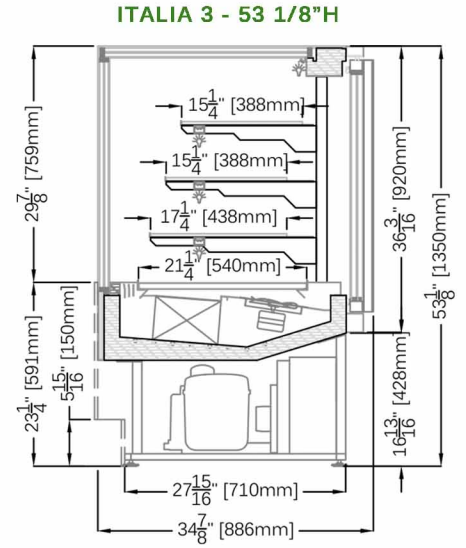
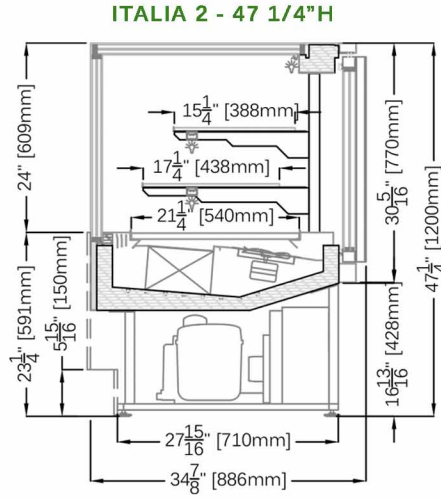
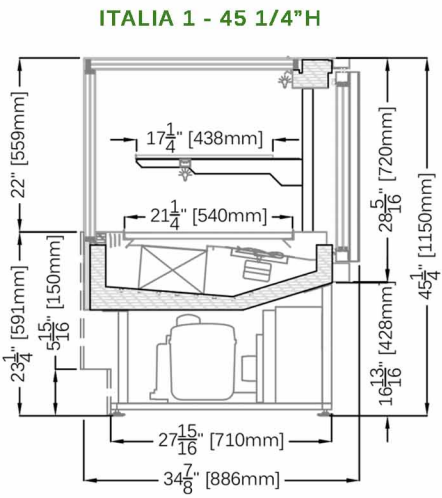


512 South Airport Blvd., South San Francisco, CA 94080
Tel: 855.885.2400 | 650.342.2400 | Fax: 650.342.7400
sales@oscartek.com | www.oscartek.com

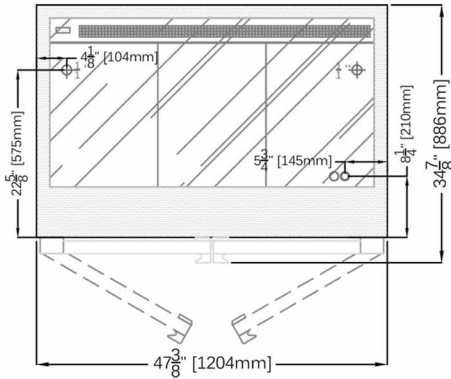


ITALIA 1-2-3 BT FROZEN NOVELTY SHOWCASE

SECTION VIEWS: ITALIA 1-2-3 BT1200

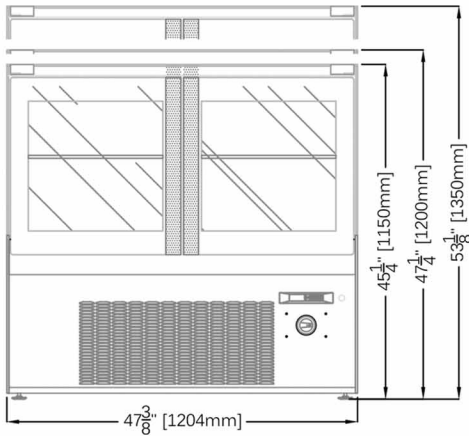


ITALIA 1-2-3 PLAN VIEW: ITALIA 1-2-3 BT1200



ELECTRICAL LEGEND	
	REFRIGERATED LINES
	DRAIN
	POWER

ITALIA 1-2-3 REAR ELEVATIONS (OPERATOR SIDE): ITALIA 1-2-3 BT1200



*Factory in its effort to upgrade and improve our products, has the right to change, modify, discontinue or change any feature, size or capacity on any model without prior notice.



512 South Airport Blvd., South San Francisco, CA 94080
 Tel: 855.885.2400 | 650.342.2400 | Fax: 650.342.7400
 sales@oscartek.com | www.oscartek.com



ITALIA 1-2-3 DELI/PASTRY SHOWCASE

STANDARD FEATURES

- Available in 3 heights: 45"H, 47"H, 53"H
- Maxi display volume perfectly refrigerated
- Diffused LED lighting 3000°K
- Sliding double pane doors closure on operator side
- Full volume temperature control
- Double glazed walls
- Electronic temperature control
- Perfect visibility on all 4 sides
- Front, top, sides double glasses
- Glass frame gray
- Cases ship standard unfinished front and stainless steel skin sides



Photos shown with optional RAL color finish. Standard cases are unfinished front with stainless steel skin sides.

OPTIONS

- Italia 4
- Italia 1-2-3 Narrow - 25" deep
- Glass frame colors: black, white, and gold
- Front access double doors
- Lift up hydraulic double pane front glass
- Remote condensing unit
- Matches with Muro H11
- Cold storage
- RAL color finish/wood laminate front and side panels
- Heated pan for evaporator
- Casters



Visit our website for more finishing options and RAL colors
www.oscartek.com

ITALIA 1 DELI/PASTRY					
TECHNICAL FEATURES		MODELS			
		ITALIA 1 DP900 (ITL1DP35)	ITALIA 1 DP1200 (ITL1DP47)	ITALIA 1 DP1500 (ITL1DP59)	ITALIA 1 DP2000 (ITL1DP78)
External Dimensions (L-D-H)	Inches	*35 3/8" - 31 5/8" - 45 1/4"	*47 1/4" - 31 5/8" - 45 1/4"	*59" - 31 5/8" - 45 1/4"	*78 3/4" - 31 5/8" - 45 1/4"
	Inches-MM	*900 - 803 - 1150	*1200 - 803 - 1150	*1500 - 803 - 1150	*2000 - 803 - 1150
Crated Dimensions (L-D-H)	Inches	42" - 38" - 52"	54" - 38" - 52"	67" - 38" - 52"	85" - 38" - 52"
	Inches-MM	1066 - 965 - 1320	1371 - 965 - 1320	1701 - 965 - 1320	2159 - 965 - 1320
Refrigeration	Type	Ventilated	Ventilated	Ventilated	Ventilated
Refrigeration Display Area	Type	Deck + Shelf	Deck + Shelf	Deck + Shelf	Deck + Shelf
Operating Temperature	°F	39.2°F	39.2°F	39.2°F	39.2°F
Compressor	Nr./Type	1 / Hermetic	1 / Hermetic	1 / Hermetic	1 / Hermetic
BTU'S @ +14°F Expansion Temperature	BTU's	1750	2300	2950	3750
Electric Supply	V/Ph/Hz	115/1/60	115/1/60	115/1/60	115/1/60
Power Consumption	W/A	580/5.5	650/6.2	850/8.0	1200/11.4
Defrost	Mode/Type	Automatic	Automatic	Automatic	Automatic
Climatic Class	°F/H.R.	75°F-55%RH	75°F-55%RH	75°F-55%RH	75°F-55%RH
Refrigerant Gas	Type	R404A / R452A	R404A / R452A	R404A / R452A	R404A / R452A
Pipe Size (Inches)	Suction, Liquid	3/8" Suction, 1/4" Liquid	3/8" Suction, 1/4" Liquid	1/2" Suction, 1/4" Liquid	5/8" Suction, 5/16" Liquid
Net Weights	Lb	310	365	465	540
Crated Weights	Lb	360	415	540	615

* DIMENSIONS ARE WITHOUT SIDE PANELS

*Factory in its effort to upgrade and improve our products, has the right to change, modify, discontinue or change any feature, size or capacity on any model without prior notice.



512 South Airport Blvd., South San Francisco, CA 94080
 Tel: 855.885.2400 | 650.342.2400 | Fax: 650.342.7400
sales@oscartek.com | www.oscartek.com



ITALIA 1-2-3 DELI/PASTRY SHOWCASE

ITALIA 1 DELI/PASTRY			
TECHNICAL FEATURES		MODELS	
		ITALIA 1 DPA90LT (ITL1DPAP90D)	ITALIA 1 DPA90RT (ITL1DPAP90S)
External Dimensions (L-D-H)	Inches	** 59" - 31 5/8" - 45 1/4"	** 59" - 31 5/8" - 45 1/4"
Inches-MM	MM	**1500 - 803 - 1150	**1500 - 803 - 1150
Crated Dimensions (L-D-H)	Inches	67" - 38" - 52"	67" - 38" - 52"
Inches-MM	MM	1701 - 965 - 1320	1701 - 965 - 1320
Refrigeration	Type	Ventilated	Ventilated
Refrigeration Display Area	Type	Deck + Shelf	Deck + Shelf
Operating Temperature	°F	39.2°F	39.2°F
Compressor	Nr./Type	1 / Hermetic	1 / Hermetic
BTU'S @ +14°F Expansion Temperature	BTU's	5600	5600
Electric Supply	V/Ph/Hz	208-220/1/60	208-220/1/60
Power Consumption	W/A	1600/8.5	1600/8.5
Defrost	Mode/Type	Automatic	Automatic
Climatic Class	°F/H.R.	75°F-55%RH	75°F-55%RH
Refrigerant Gas	Type	R404A / R452A	R404A / R452A
Pipe Size (Inches)	Suction, Liquid	5/8" Suction, 5/16" Liquid	5/8" Suction, 5/16" Liquid
Net Weights	Lb	705	705
Crated Weights	Lb	780	780

**DIMENSIONS ARE WITHOUT SIDE PANELS. SEE PLAN VIEWS FOR ADDITIONAL EXTERIOR DIMENSIONS

ITALIA 2 DELI/PASTRY					
TECHNICAL FEATURES		MODELS			
		ITALIA 2 DP900 (ITL2DP35)	ITALIA 2 DP1200 (ITL2DP47)	ITALIA 2 DP1500 (ITL2DP59)	ITALIA 2 DP2000 (ITL2DP78)
External Dimensions (L-D-H)	Inches	*35 3/8" - 31 5/8" - 47 1/4"	*47 1/4" - 31 5/8" - 47 1/4"	*59" - 31 5/8" - 47 1/4"	*78 3/4" - 31 5/8" - 47 1/4"
Inches-MM	MM	*900 - 803 - 1200	*1200 - 803 - 1200	*1500 - 803 - 1200	*2000 - 803 - 1200
Crated Dimensions (L-D-H)	Inches	42" - 38" - 54"	54" - 38" - 54"	67" - 38" - 54"	85" - 38" - 54"
Inches-MM	MM	1066 - 965 - 1371	1371 - 965 - 1371	1701 - 965 - 1371	2159 - 965 - 1371
Refrigeration	Type	Ventilated	Ventilated	Ventilated	Ventilated
Refrigeration Display Area	Type	Deck + Shelves	Deck + Shelves	Deck + Shelves	Deck + Shelves
Operating Temperature	°F	39.2°F	39.2°F	39.2°F	39.2°F
Compressor	Nr./Type	1 / Hermetic	1 / Hermetic	1 / Hermetic	1 / Hermetic
BTU'S @ +14°F Expansion Temperature	BTU's	1980	2660	3380	4090
Electric Supply	V/Ph/Hz	115/1/60	115/1/60	115/1/60	115/1/60
Power Consumption	W/A	580/5.5	650/6.2	850/8.0	1200/11.4
Defrost	Mode/Type	Automatic	Automatic	Automatic	Automatic
Climatic Class	°F/H.R.	75°F-55%RH	75°F-55%RH	75°F-55%RH	75°F-55%RH
Refrigerant Gas	Type	R404A / R452A	R404A / R452A	R404A / R452A	R404A / R452A
Pipe Size (Inches)	Suction, Liquid	3/8" Suction, 1/4" Liquid	3/8" Suction, 1/4" Liquid	1/2" Suction, 1/4" Liquid	5/8" Suction, 5/16" Liquid
Net Weights	Lb	330	400	510	595
Crated Weights	Lb	380	450	585	670

* DIMENSIONS ARE WITHOUT SIDE PANELS

*Factory in its effort to upgrade and improve our products, has the right to change, modify, discontinue or change any feature, size or capacity on any model without prior notice.



512 South Airport Blvd., South San Francisco, CA 94080
 Tel: 855.885.2400 | 650.342.2400 | Fax: 650.342.7400
 sales@oscartek.com | www.oscartek.com



ITALIA 1-2-3 DELI/PASTRY SHOWCASE

ITALIA 2 DELI/PASTRY			
TECHNICAL FEATURES		MODELS	
		ITALIA 2 DPA90LT (ITL2DPAP90D)	ITALIA 2 DPA90RT (ITL2DPAP90S)
External Dimensions (L-D-H)	Inches	** 59" - 31 5/8" - 47 1/4"	** 59" - 31 5/8" - 47 1/4"
	Inches-MM	**1500 - 803 - 1200	**1500 - 803 - 1200
Crated Dimensions (L-D-H)	Inches	67" - 38" - 54"	67" - 38" - 54"
	Inches-MM	1701 - 965 - 1371	1701 - 965 - 1371
Refrigeration	Type	Ventilated	Ventilated
Refrigeration Display Area	Type	Deck + Shelves	Deck + Shelves
Operating Temperature	°F	39.2°F	39.2°F
Compressor	Nr./Type	1 / Hermetic	1 / Hermetic
BTU'S @ +14°F Expansion Temperature	BTU's	6150	6150
Electric Supply	V/Ph/Hz	208-220/1/60	208-220/1/60
Power Consumption	W/A	1600/8.5	1600/8.5
Defrost	Mode/Type	Automatic	Automatic
Climatic Class	°F/H.R.	75°F-55%RH	75°F-55%RH
Refrigerant Gas	Type	R404A / R452A	R404A / R452A
Pipe Size (Inches)	Suction, Liquid	5/8" Suction, 5/16" Liquid	5/8" Suction, 5/16" Liquid
Net Weights	Lb	770	770
Crated Weights	Lb	850	850

****DIMENSIONS ARE WITHOUT SIDE PANELS. SEE PLAN VIEWS FOR ADDITIONAL EXTERIOR DIMENSIONS**

ITALIA 3 DELI/PASTRY					
TECHNICAL FEATURES		MODELS			
		ITALIA 3 DP900 (ITL3DP35)	ITALIA 3 DP1200 (ITL3DP47)	ITALIA 3 DP1500 (ITL3DP59)	ITALIA 3 DP2000 (ITL3DP78)
External Dimensions (L-D-H)	Inches	*35 3/8" - 31 5/8" - 53 1/8"	*47 1/4" - 31 5/8" - 53 1/8"	*59" - 31 5/8" - 53 1/8"	*78 3/4" - 31 5/8" - 53 1/8"
	Inches-MM	*900 - 803 - 1350	*1200 - 803 - 1350	*1500 - 803 - 1350	*2000 - 803 - 1350
Crated Dimensions (L-D-H)	Inches	42" - 38" - 60"	54" - 38" - 60"	67" - 38" - 60"	85" - 38" - 60"
	Inches-MM	1066 - 965 - 1524	1371 - 965 - 1524	1701 - 965 - 1524	2159 - 965 - 1524
Refrigeration	Type	Ventilated	Ventilated	Ventilated	Ventilated
Refrigeration Display Area	Type	Deck + Shelves	Deck + Shelves	Deck + Shelves	Deck + Shelves
Operating Temperature	°F	39.2°F	39.2°F	39.2°F	39.2°F
Compressor	Nr./Type	1 / Hermetic	1 / Hermetic	1 / Hermetic	1 / Hermetic
BTU'S @ +14°F Expansion Temperature	BTU's	2300	3200	3850	4900
Electric Supply	V/Ph/Hz	115/1/60	115/1/60	115/1/60	115/1/60
Power Consumption	W/A	750/6.9	950/8.5	1350/13.0	1500/14.4
Defrost	Mode/Type	Automatic	Automatic	Automatic	Automatic
Climatic Class	°F/H.R.	75°F-55%RH	75°F-55%RH	75°F-55%RH	75°F-55%RH
Refrigerant Gas	Type	R404A / R452A	R404A / R452A	R404A / R452A	R404A / R452A
Pipe Size (Inches)	Suction, Liquid	3/8" Suction, 1/4" Liquid	1/2" Suction, 1/4" Liquid	5/8" Suction, 5/16" Liquid	5/8" Suction, 5/16" Liquid
Net Weights	Lb	355	430	550	650
Crated Weights	Lb	405	480	625	725

*** DIMENSIONS ARE WITHOUT SIDE PANELS**

**Factory in its effort to upgrade and improve our products, has the right to change, modify, discontinue or change any feature, size or capacity on any model without prior notice.*



512 South Airport Blvd., South San Francisco, CA 94080
 Tel: 855.885.2400 | 650.342.2400 | Fax: 650.342.7400
 sales@oscartek.com | www.oscartek.com

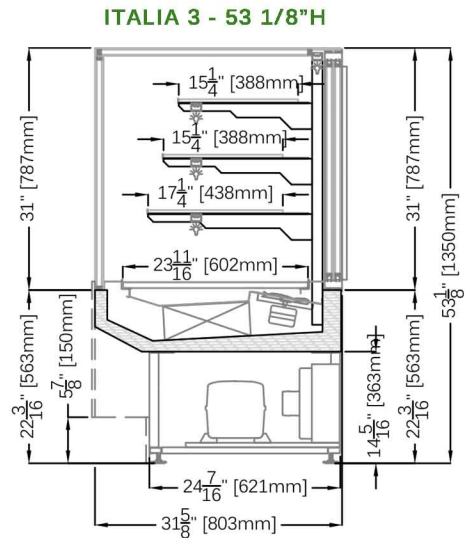
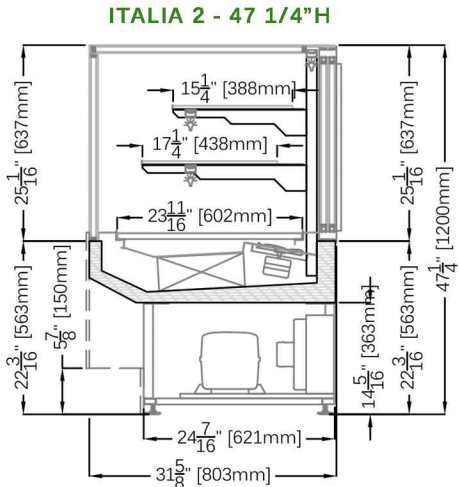
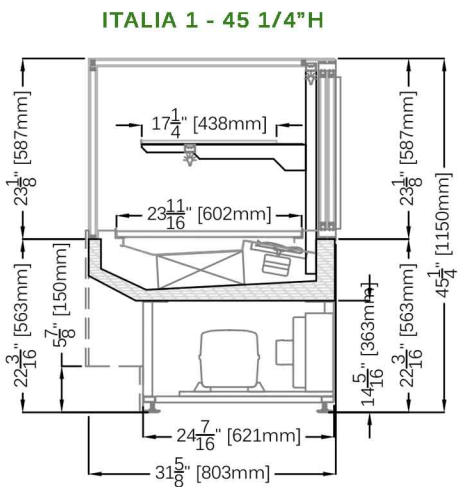


ITALIA 1-2-3 DELI/PASTRY SHOWCASE

ITALIA 3 DELI/PASTRY			
TECHNICAL FEATURES		MODELS	
		ITALIA 3 DPA90LT (ITL3DPAP90D)	ITALIA 3 DPA90RT (ITL3DPAP90S)
External Dimensions (L-D-H)	Inches	** 59" - 31 5/8" - 53 1/8"	** 59" - 31 5/8" - 53 1/8"
Inches-MM	MM	**1500 - 803 - 1350	**1500 - 803 - 1350
Crated Dimensions (L-D-H)	Inches	67" - 38" - 60"	67" - 38" - 60"
Inches-MM	MM	1701 - 965 - 1524	1701 - 965 - 1524
Refrigeration	Type	Ventilated	Ventilated
Refrigeration Display Area	Type	Deck + Shelves	Deck + Shelves
Operating Temperature	°F	39.2°F	39.2°F
Compressor	Nr./Type	1 / Hermetic	1 / Hermetic
BTU'S @ +14°F Expansion Temperature	BTU's	7000	7000
Electric Supply	V/Ph/Hz	208-220/1/60	208-220/1/60
Power Consumption	W/A	1850/9.2	1850/9.2
Defrost	Mode/Type	Automatic	Automatic
Climatic Class	°F/H.R.	75°F-55%RH	75°F-55%RH
Refrigerant Gas	Type	R404A / R452A	R404A / R452A
Pipe Size (Inches)	Suction, Liquid	5/8" Suction, 3/8" Liquid	5/8" Suction, 3/8" Liquid
Net Weights	Lb	840	840
Crated Weights	Lb	915	915

**DIMENSIONS ARE WITHOUT SIDE PANELS. SEE PLAN VIEWS FOR ADDITIONAL EXTERIOR DIMENSIONS

SECTION VIEWS: ITALIA 1-2-3 DP900, DP1200, DP1500, DP2000, DPA90LT, DPA90RT



*Factory in its effort to upgrade and improve our products, has the right to change, modify, discontinue or change any feature, size or capacity on any model without prior notice.

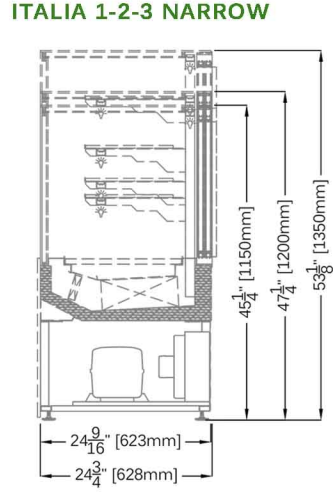
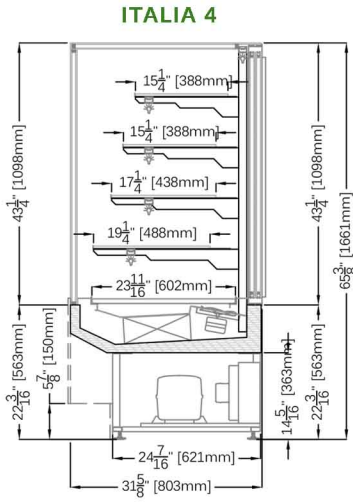


512 South Airport Blvd., South San Francisco, CA 94080
 Tel: 855.885.2400 | 650.342.2400 | Fax: 650.342.7400
 sales@oscartek.com | www.oscartek.com



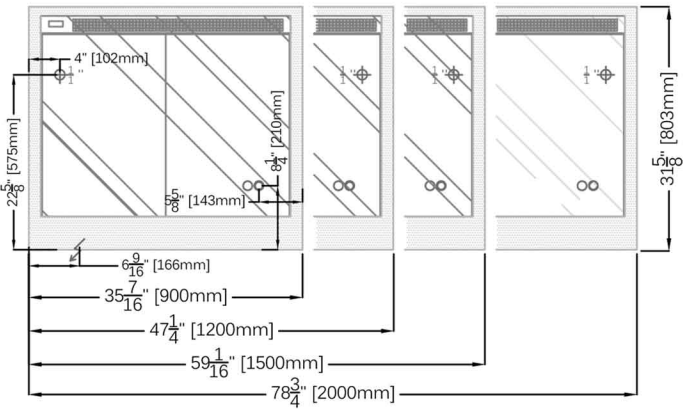
ITALIA 1-2-3 DELI/PASTRY SHOWCASE

OPTIONAL:



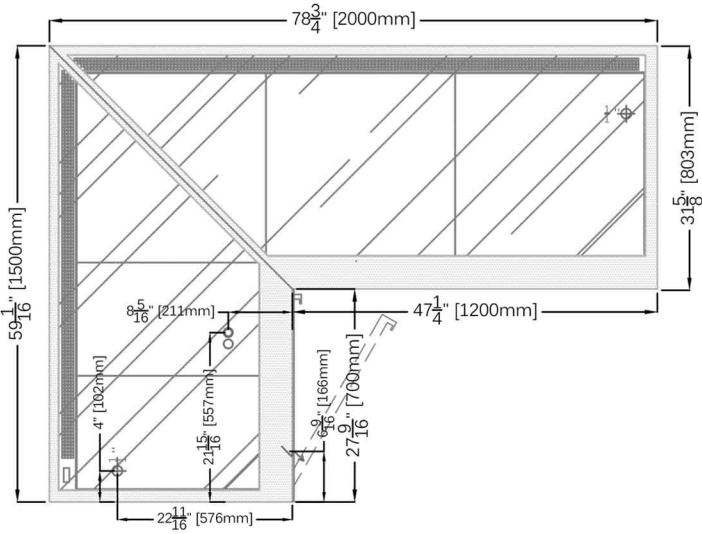
ITALIA 1-2-3 PLAN VIEWS: ITALIA 1-2-3 DP900, DP1200, DP1500, DP2000, DPA90LT, DPA90RT

ITALIA 1-2-3 LINEAR MODELS

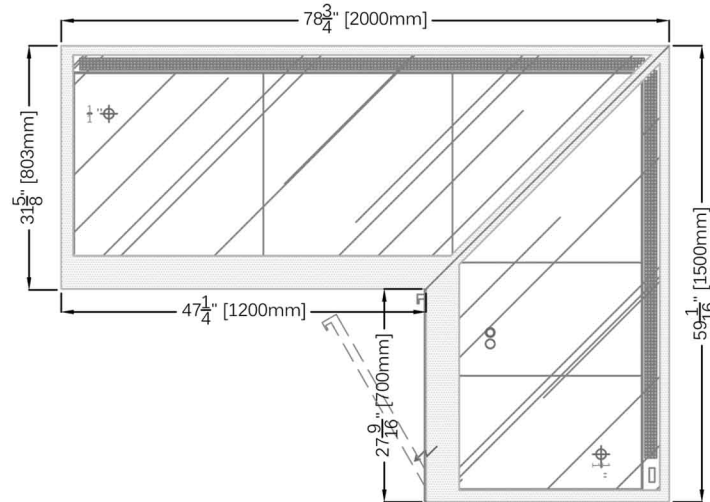


ELECTRICAL LEGEND	
	REFRIGERATED LINES
	DRAIN
	POWER

ITALIA 1-2-3 DPA90LT



ITALIA 1-2-3 DPA90RT



*Factory in its effort to upgrade and improve our products, has the right to change, modify, discontinue or change any feature, size or capacity on any model without prior notice.



512 South Airport Blvd., South San Francisco, CA 94080
 Tel: 855.885.2400 | 650.342.2400 | Fax: 650.342.7400
 sales@oscartek.com | www.oscartek.com

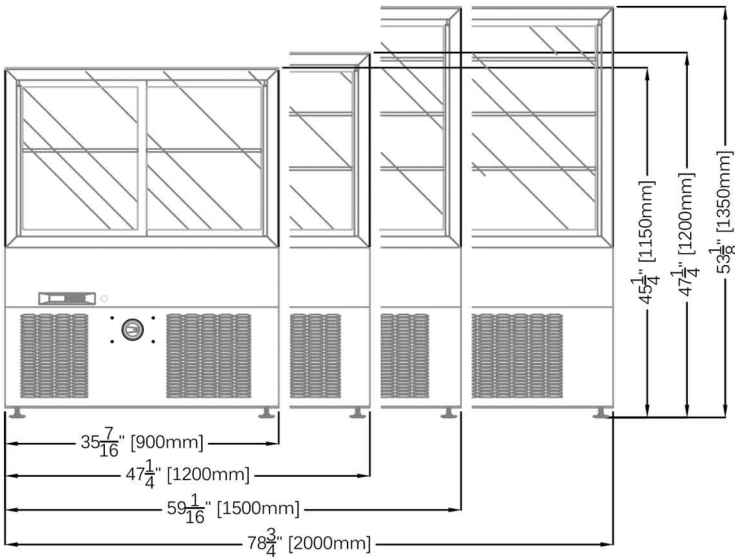


ITALIA 1-2-3 DELI/PASTRY SHOWCASE

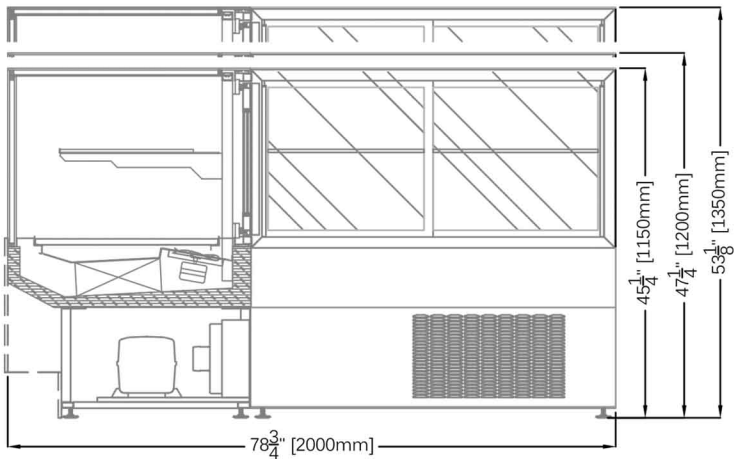
ITALIA 1-2-3 REAR ELEVATIONS (OPERATOR SIDE): SHOWN WITH REAR VENTILATION

ITALIA 1-2-3 DP900, DP1200, DP1500, DP2000, DPA90LT, DPA90RT

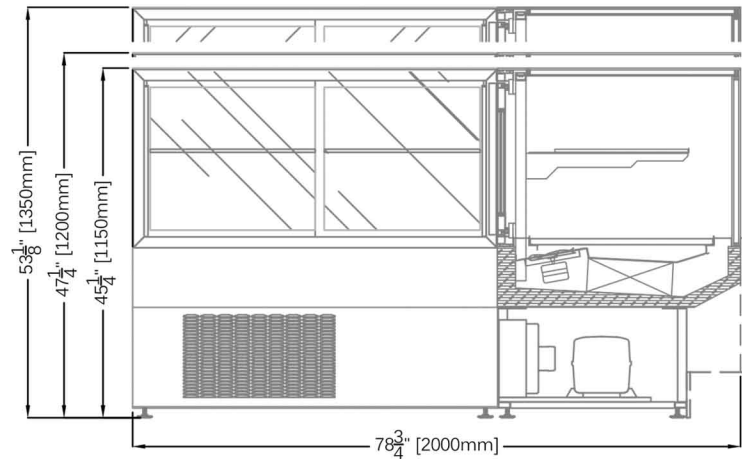
ITALIA 1-2-3 LINEAR MODELS



ITALIA 1-2-3 DPA90LT



ITALIA 1-2-3 DPA90RT



*Factory in its effort to upgrade and improve our products, has the right to change, modify, discontinue or change any feature, size or capacity on any model without prior notice.



512 South Airport Blvd., South San Francisco, CA 94080
 Tel: 855.885.2400 | 650.342.2400 | Fax: 650.342.7400
 sales@oscartek.com | www.oscartek.com



ITALIA 1-2-3 CHOCOLATE SHOWCASE

STANDARD FEATURES

- Available in 3 heights: 45"H, 47"H, 53"H
- Humidity control
- Maxi display volume perfectly refrigerated
- Diffused LED lighting 3000°K
- Sliding double pane doors closure on operator side
- Full volume temperature control
- Double glazed walls
- Electronic temperature control
- Perfect visibility on all 4 sides
- Front, top, sides double glasses
- Glass frame gray
- Cases ship standard unfinished front and stainless steel skin sides



Photos shown with optional RAL color finish. Standard cases are unfinished front with stainless steel skin sides.

OPTIONS

- Italia 4
- Italia 1-2-3 Narrow - 25" deep
- Glass frame colors: black, white, and gold
- Front access double doors
- Lift up hydraulic double pane front glass
- Remote condensing unit
- Matches with Muro H11
- Cold storage
- RAL color finish/wood laminate front and side panels
- Heated pan for evaporator
- Casters



Visit our website for more finishing options and RAL colors
www.oscartek.com

ITALIA 1 CHOCOLATE					
TECHNICAL FEATURES		MODELS			
		ITALIA 1 C900	ITALIA 1 C1200	ITALIA 1 C1500	ITALIA 1 C2000
External Dimensions (L-D-H)	Inches	*35 3/8" - 31 5/8" - 45 1/4"	*47 1/4" - 31 5/8" - 45 1/4"	*59" - 31 5/8" - 45 1/4"	*78 3/4" - 31 5/8" - 45 1/4"
	Inches-MM	*900 - 803 - 1150	*1200 - 803 - 1150	*1500 - 803 - 1150	*2000 - 803 - 1150
Crated Dimensions (L-D-H)	Inches	42" - 38" - 52"	54" - 38" - 52"	67" - 38" - 52"	85" - 38" - 52"
	Inches-MM	1066 - 965 - 1320	1371 - 965 - 1320	1701 - 965 - 1320	2159 - 965 - 1320
Refrigeration	Type	Ventilated	Ventilated	Ventilated	Ventilated
Refrigeration Display Area	Type	Deck + Shelf	Deck + Shelf	Deck + Shelf	Deck + Shelf
Operating Temperature	°F	57.2°F	57.2°F	57.2°F	57.2°F
Compressor	Nr./Type	1 / Hermetic	1 / Hermetic	1 / Hermetic	1 / Hermetic
BTU'S @ +35°F Expansion Temperature	BTU's	1750	2300	2950	3750
Electric Supply	V/Ph/Hz	208-220/1/60	208-220/1/60	208-220/1/60	208-220/1/60
Power Consumption	W/A	580/5.5	650/6.2	850/8.0	1200/11.4
Defrost	Mode/Type	Automatic	Automatic	Automatic	Automatic
Climatic Class	°F/H.R.	75°F-55%RH	75°F-55%RH	75°F-55%RH	75°F-55%RH
Refrigerant Gas	Type	R404A / R452A	R404A / R452A	R404A / R452A	R404A / R452A
Pipe Size (Inches)	Suction, Liquid	3/8" Suction, 1/4" Liquid	3/8" Suction, 1/4" Liquid	1/2" Suction, 1/4" Liquid	5/8" Suction, 5/16" Liquid
Net Weights	Lb	310	365	465	540
Crated Weights	Lb	360	415	540	615

* DIMENSIONS ARE WITHOUT SIDE PANELS

*Factory in its effort to upgrade and improve our products, has the right to change, modify, discontinue or change any feature, size or capacity on any model without prior notice.



512 South Airport Blvd., South San Francisco, CA 94080
 Tel: 855.885.2400 | 650.342.2400 | Fax: 650.342.7400
sales@oscartek.com | www.oscartek.com



ITALIA 1-2-3 CHOCOLATE SHOWCASE

ITALIA 1 CHOCOLATE			
TECHNICAL FEATURES		MODELS	
		ITALIA 1 CA90LT	ITALIA 1 CA90RT
External Dimensions (L-D-H)	Inches	** 59" - 31 5/8" - 45 1/4"	** 59" - 31 5/8" - 45 1/4"
Inches-MM	MM	**1500 - 803 - 1150	**1500 - 803 - 1150
Crated Dimensions (L-D-H)	Inches	67" - 38" - 52"	67" - 38" - 52"
Inches-MM	MM	1701 - 965 - 1320	1701 - 965 - 1320
Refrigeration	Type	Ventilated	Ventilated
Refrigeration Display Area	Type	Deck + Shelf	Deck + Shelf
Operating Temperature	°F	57.2°F	57.2°F
Compressor	Nr./Type	1 / Hermetic	1 / Hermetic
BTU'S @ +35°F Expansion Temperature	BTU's	5600	5600
Electric Supply	V/Ph/Hz	208-220/1/60	208-220/1/60
Power Consumption	W/A	1600/8.5	1600/8.5
Defrost	Mode/Type	Automatic	Automatic
Climatic Class	°F/H.R.	75°F-55%RH	75°F-55%RH
Refrigerant Gas	Type	R404A / R452A	R404A / R452A
Pipe Size (Inches)	Suction, Liquid	5/8" Suction, 5/16" Liquid	5/8" Suction, 5/16" Liquid
Net Weights	Lb	705	705
Crated Weights	Lb	780	780

****DIMENSIONS ARE WITHOUT SIDE PANELS. SEE PLAN VIEWS FOR ADDITIONAL EXTERIOR DIMENSIONS**

ITALIA 2 CHOCOLATE					
TECHNICAL FEATURES		MODELS			
		ITALIA 2 C900	ITALIA 2 C1200	ITALIA 2 C1500	ITALIA 2 C2000
External Dimensions (L-D-H)	Inches	*35 3/8" - 31 5/8" - 47 1/4"	*47 1/4" - 31 5/8" - 47 1/4"	*59" - 31 5/8" - 47 1/4"	*78 3/4" - 31 5/8" - 47 1/4"
Inches-MM	MM	*900 - 803 - 1200	*1200 - 803 - 1200	*1500 - 803 - 1200	*2000 - 803 - 1200
Crated Dimensions (L-D-H)	Inches	42" - 38" - 54"	54" - 38" - 54"	67" - 38" - 54"	85" - 38" - 54"
Inches-MM	MM	1066 - 965 - 1371	1371 - 965 - 1371	1701 - 965 - 1371	2159 - 965 - 1371
Refrigeration	Type	Ventilated	Ventilated	Ventilated	Ventilated
Refrigeration Display Area	Type	Deck + Shelves	Deck + Shelves	Deck + Shelves	Deck + Shelves
Operating Temperature	°F	57.2°F	57.2°F	57.2°F	57.2°F
Compressor	Nr./Type	1 / Hermetic	1 / Hermetic	1 / Hermetic	1 / Hermetic
BTU'S @ +35°F Expansion Temperature	BTU's	1980	2660	3380	4090
Electric Supply	V/Ph/Hz	208-220/1/60	208-220/1/60	208-220/1/60	208-220/1/60
Power Consumption	W/A	580/5.5	650/6.2	850/8.0	1200/11.4
Defrost	Mode/Type	Automatic	Automatic	Automatic	Automatic
Climatic Class	°F/H.R.	75°F-55%RH	75°F-55%RH	75°F-55%RH	75°F-55%RH
Refrigerant Gas	Type	R404A / R452A	R404A / R452A	R404A / R452A	R404A / R452A
Pipe Size (Inches)	Suction, Liquid	3/8" Suction, 1/4" Liquid	3/8" Suction, 1/4" Liquid	1/2" Suction, 1/4" Liquid	5/8" Suction, 5/16" Liquid
Net Weights	Lb	330	400	510	595
Crated Weights	Lb	380	450	585	670

*** DIMENSIONS ARE WITHOUT SIDE PANELS**

**Factory in its effort to upgrade and improve our products, has the right to change, modify, discontinue or change any feature, size or capacity on any model without prior notice.*



512 South Airport Blvd., South San Francisco, CA 94080
 Tel: 855.885.2400 | 650.342.2400 | Fax: 650.342.7400
 sales@oscartek.com | www.oscartek.com



ITALIA 1-2-3 CHOCOLATE SHOWCASE

ITALIA 2 CHOCOLATE			
TECHNICAL FEATURES		MODELS	
		ITALIA 2 CA90LT	ITALIA 2 CA90RT
External Dimensions (L-D-H)	Inches	** 59" - 31 5/8" - 47 1/4"	** 59" - 31 5/8" - 47 1/4"
	MM	**1500 - 803 - 1200	**1500 - 803 - 1200
Crated Dimensions (L-D-H)	Inches	67" - 38" - 54"	67" - 38" - 54"
	MM	1701 - 965 - 1371	1701 - 965 - 1371
Refrigeration	Type	Ventilated	Ventilated
Refrigeration Display Area	Type	Deck + Shelves	Deck + Shelves
Operating Temperature	°F	57.2°F	57.2°F
Compressor	Nr./Type	1 / Hermetic	1 / Hermetic
BTU'S @ +35°F Expansion Temperature	BTU's	6150	6150
Electric Supply	V/Ph/Hz	208-220/1/60	208-220/1/60
Power Consumption	W/A	1600/8.5	1600/8.5
Defrost	Mode/Type	Automatic	Automatic
Climatic Class	°F/H.R.	75°F-55%RH	75°F-55%RH
Refrigerant Gas	Type	R404A / R452A	R404A / R452A
Pipe Size (Inches)	Suction, Liquid	5/8" Suction, 5/16" Liquid	5/8" Suction, 5/16" Liquid
Net Weights	Lb	770	770
Crated Weights	Lb	850	850

****DIMENSIONS ARE WITHOUT SIDE PANELS. SEE PLAN VIEWS FOR ADDITIONAL EXTERIOR DIMENSIONS**

ITALIA 3 CHOCOLATE					
TECHNICAL FEATURES		MODELS			
		ITALIA 3 C900	ITALIA 3 C1200	ITALIA 3 C1500	ITALIA 3 C2000
External Dimensions (L-D-H)	Inches	*35 3/8" - 31 5/8" - 53 1/8"	*47 1/4" - 31 5/8" - 53 1/8"	*59" - 31 5/8" - 53 1/8"	*78 3/4" - 31 5/8" - 53 1/8"
	MM	*900 - 803 - 1350	*1200 - 803 - 1350	*1500 - 803 - 1350	*2000 - 803 - 1350
Crated Dimensions (L-D-H)	Inches	42" - 38" - 60"	54" - 38" - 60"	67" - 38" - 60"	85" - 38" - 60"
	MM	1066 - 965 - 1524	1371 - 965 - 1524	1701 - 965 - 1524	2159 - 965 - 1524
Refrigeration	Type	Ventilated	Ventilated	Ventilated	Ventilated
Refrigeration Display Area	Type	Deck + Shelves	Deck + Shelves	Deck + Shelves	Deck + Shelves
Operating Temperature	°F	57.2°F	57.2°F	57.2°F	57.2°F
Compressor	Nr./Type	1 / Hermetic	1 / Hermetic	1 / Hermetic	1 / Hermetic
BTU'S @ +35°F Expansion Temperature	BTU's	2300	3200	3850	4900
Electric Supply	V/Ph/Hz	208-220/1/60	208-220/1/60	208-220/1/60	208-220/1/60
Power Consumption	W/A	750/6.9	950/8.5	1350/13.0	1500/14.4
Defrost	Mode/Type	Automatic	Automatic	Automatic	Automatic
Climatic Class	°F/H.R.	75°F-55%RH	75°F-55%RH	75°F-55%RH	75°F-55%RH
Refrigerant Gas	Type	R404A / R452A	R404A / R452A	R404A / R452A	R404A / R452A
Pipe Size (Inches)	Suction, Liquid	3/8" Suction, 1/4" Liquid	1/2" Suction, 1/4" Liquid	5/8" Suction, 5/16" Liquid	5/8" Suction, 5/16" Liquid
Net Weights	Lb	355	430	550	650
Crated Weights	Lb	405	480	625	725

*** DIMENSIONS ARE WITHOUT SIDE PANELS**

**Factory in its effort to upgrade and improve our products, has the right to change, modify, discontinue or change any feature, size or capacity on any model without prior notice.*



512 South Airport Blvd., South San Francisco, CA 94080
 Tel: 855.885.2400 | 650.342.2400 | Fax: 650.342.7400
 sales@oscartek.com | www.oscartek.com

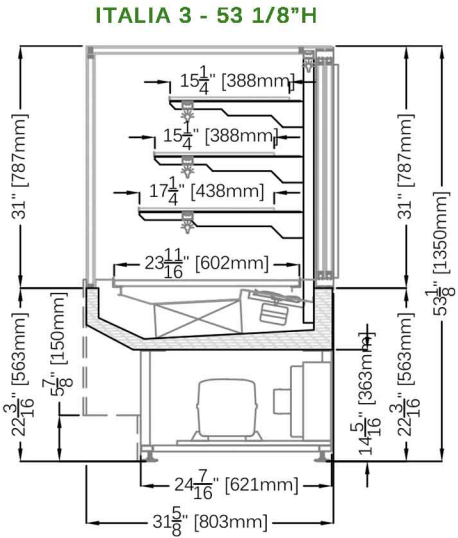
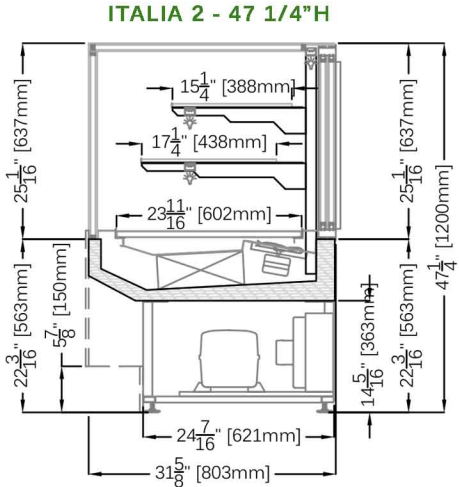
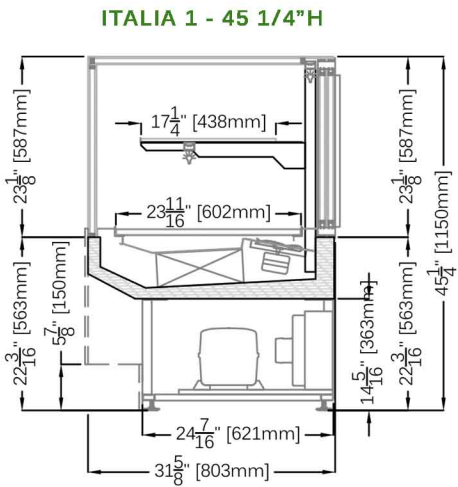


ITALIA 1-2-3 CHOCOLATE SHOWCASE

ITALIA 3 CHOCOLATE			
TECHNICAL FEATURES		MODELS	
		ITALIA 3 CA90LT	ITALIA 3 CA90RT
External Dimensions (L-D-H)	Inches	** 59" - 31 5/8" - 53 1/8"	** 59" - 31 5/8" - 53 1/8"
Inches-MM	MM	**1500 - 803 - 1350	**1500 - 803 - 1350
Crated Dimensions (L-D-H)	Inches	67" - 38" - 60"	67" - 38" - 60"
Inches-MM	MM	1701 - 965 - 1524	1701 - 965 - 1524
Refrigeration	Type	Ventilated	Ventilated
Refrigeration Display Area	Type	Deck + Shelves	Deck + Shelves
Operating Temperature	°F	57.2°F	57.2°F
Compressor	Nr./Type	1 / Hermetic	1 / Hermetic
BTU'S @ +35°F Expansion Temperature	BTU's	7000	7000
Electric Supply	V/Ph/Hz	208-220/1/60	208-220/1/60
Power Consumption	W/A	1850/9.2	1850/9.2
Defrost	Mode/Type	Automatic	Automatic
Climatic Class	°F/H.R.	75°F-55%RH	75°F-55%RH
Refrigerant Gas	Type	R404A / R452A	R404A / R452A
Pipe Size (Inches)	Suction, Liquid	5/8" Suction, 3/8" Liquid	5/8" Suction, 3/8" Liquid
Net Weights	Lb	840	840
Crated Weights	Lb	915	915

**DIMENSIONS ARE WITHOUT SIDE PANELS. SEE PLAN VIEWS FOR ADDITIONAL EXTERIOR DIMENSIONS

SECTION VIEWS: ITALIA 1-2-3 C900, C1200, C1500, C2000, CA90LT, CA90RT



*Factory in its effort to upgrade and improve our products, has the right to change, modify, discontinue or change any feature, size or capacity on any model without prior notice.

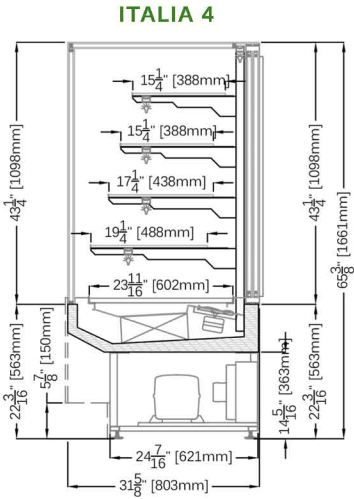


512 South Airport Blvd., South San Francisco, CA 94080
 Tel: 855.885.2400 | 650.342.2400 | Fax: 650.342.7400
 sales@oscartek.com | www.oscartek.com

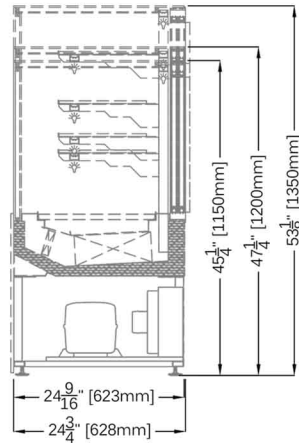


ITALIA 1-2-3 CHOCOLATE SHOWCASE

OPTIONAL:

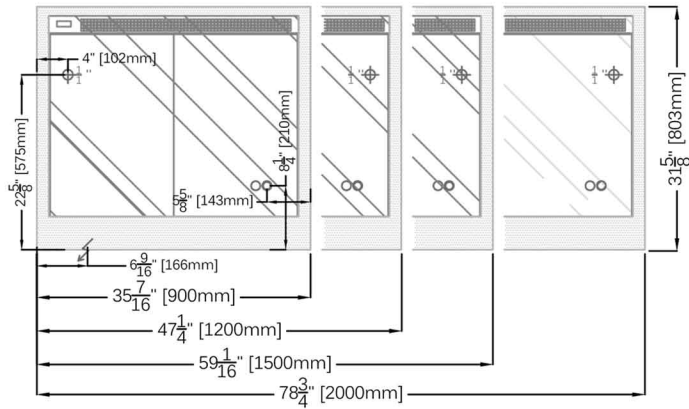


ITALIA 1-2-3 NARROW



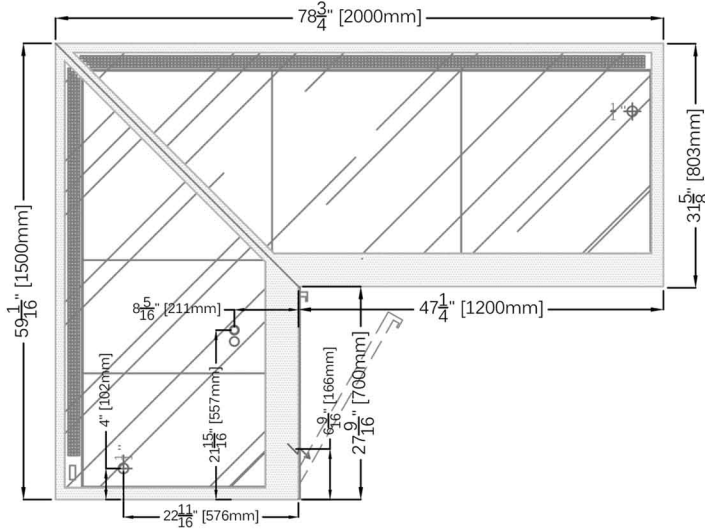
ITALIA 1-2-3 PLAN VIEWS: ITALIA 1-2-3 C900, C1200, C1500, C2000, CA90LT, CA90RT

ITALIA 1-2-3 LINEAR MODELS

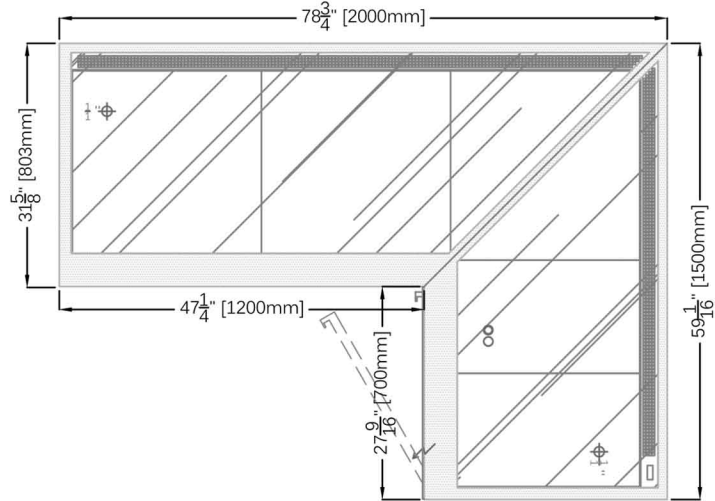


ELECTRICAL LEGEND	
	REFRIGERATED LINES
	DRAIN
	POWER

ITALIA 1-2-3 CA90LT



ITALIA 1-2-3 CA90RT



*Factory in its effort to upgrade and improve our products, has the right to change, modify, discontinue or change any feature, size or capacity on any model without prior notice.



512 South Airport Blvd., South San Francisco, CA 94080
 Tel: 855.885.2400 | 650.342.2400 | Fax: 650.342.7400
 sales@oscartek.com | www.oscartek.com

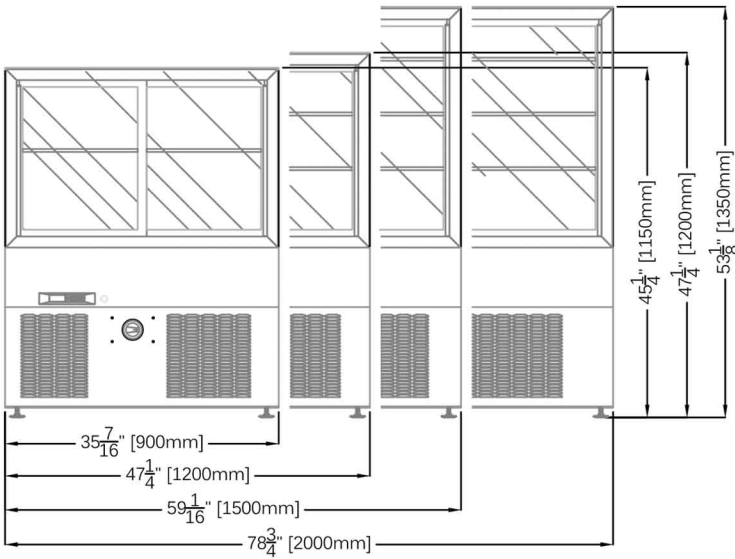


ITALIA 1-2-3 CHOCOLATE SHOWCASE

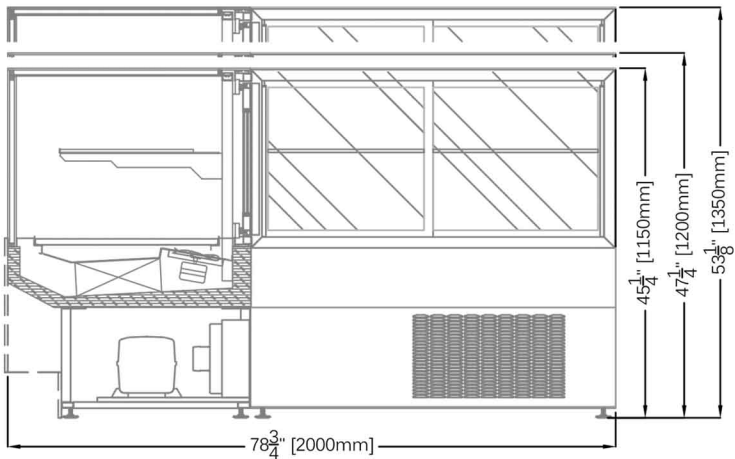
ITALIA 1-2-3 REAR ELEVATIONS (OPERATOR SIDE): SHOWN WITH REAR VENTILATION

ITALIA 1-2-3 C900, C1200, C1500, C2000, CA90LT, CA90RT

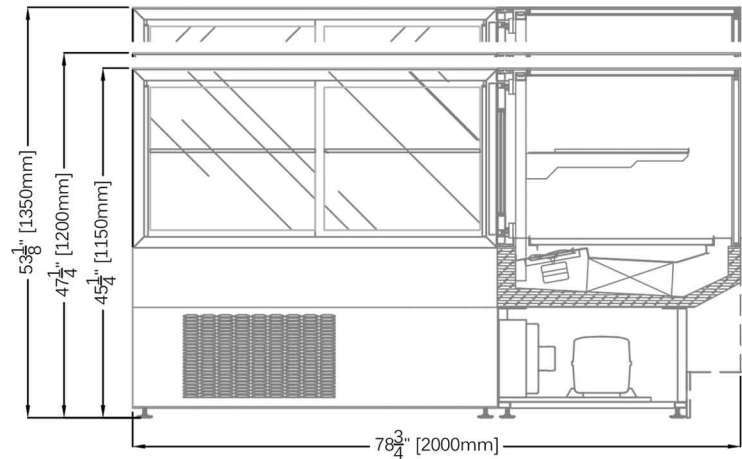
ITALIA 1-2-3 LINEAR MODELS



ITALIA 1-2-3 CA90LT



ITALIA 1-2-3 CA90RT



*Factory in its effort to upgrade and improve our products, has the right to change, modify, discontinue or change any feature, size or capacity on any model without prior notice.



512 South Airport Blvd., South San Francisco, CA 94080
 Tel: 855.885.2400 | 650.342.2400 | Fax: 650.342.7400
 sales@oscartek.com | www.oscartek.com



ITALIA 1-2-3 NEUTRAL SHOWCASE

STANDARD FEATURES

- Available in 3 heights: 45"H, 47"H, 53"H
- Diffused LED lighting 3000°K
- Sliding double pane doors closure on operator side
- Double glazed walls
- Perfect visibility on all 4 sides
- Front, top, sides double glasses
- Glass frame gray
- Cases ship standard unfinished front and stainless steel skin sides

OPTIONS

- Italia 4
- Italia 1-2-3 Narrow - 25" deep
- Glass frame colors: black, white, and gold
- Front access double doors
- Lift up hydraulic double pane front glass
- Matches with Muro H11
- RAL color finish/wood laminate front and side panels
- Casters



Photos shown with optional RAL color finish. Standard cases are unfinished front with stainless steel skin sides.



Visit our website for more finishing options and RAL colors
www.oscartek.com

ITALIA 1 NEUTRAL					
TECHNICAL FEATURES		MODELS			
		ITALIA 1 N900 (ITL1NT35)	ITALIA 1 N1200 (ITL1NT47)	ITALIA 1 N1500 (ITL1NT59)	ITALIA 1 N2000 (ITL1NT78)
External Dimensions (L-D-H)	Inches	*35 3/8" - 31 5/8" - 45 1/4"	*47 1/4" - 31 5/8" - 45 1/4"	*59" - 31 5/8" - 45 1/4"	*78 3/4" - 31 5/8" - 45 1/4"
	Inches-MM	*900 - 803 - 1150	*1200 - 803 - 1150	*1500 - 803 - 1150	*2000 - 803 - 1150
Crated Dimensions (L-D-H)	Inches	42" - 38" - 52"	54" - 38" - 52"	67" - 38" - 52"	85" - 38" - 52"
	Inches-MM	1066 - 965 - 1320	1371 - 965 - 1320	1701 - 965 - 1320	2159 - 965 - 1320
Operating Temperature	°F	Ambient	Ambient	Ambient	Ambient
Electric Supply	V/Ph/Hz	115/1/60	115/1/60	115/1/60	115/1/60
Power Consumption	W/A	60/0.57	90/0.85	120/1.14	130/1.23
Net Weights	Lb	265	320	400	520
Crated Weights	Lb	315	370	475	595

* DIMENSIONS ARE WITHOUT SIDE PANELS

*Factory in its effort to upgrade and improve our products, has the right to change, modify, discontinue or change any feature, size or capacity on any model without prior notice.



512 South Airport Blvd., South San Francisco, CA 94080
 Tel: 855.885.2400 | 650.342.2400 | Fax: 650.342.7400
sales@oscartek.com | www.oscartek.com



ITALIA 1-2-3 NEUTRAL SHOWCASE

ITALIA 1 NEUTRAL			
TECHNICAL FEATURES		MODELS	
		ITALIA 1 NA90LT	ITALIA 1 NA90RT
External Dimensions (L-D-H)	Inches	** 59" - 31 5/8" - 45 1/4"	** 59" - 31 5/8" - 45 1/4"
Inches-MM	MM	**1500 - 803 - 1150	**1500 - 803 - 1150
Crated Dimensions (L-D-H)	Inches	60" - 39 3/8" - 55 1/8"	84" - 39 3/8" - 55 1/8"
Inches-MM	MM	1524 - 1000 - 1400	2133 - 1000 - 1400
Operating Temperature	°F	Ambient	Ambient
Power Supply	V/Ph/Hz	115/1/60	115/1/60
Power Consumption	A	3	3
Net Weights	Lb	605	605
Crated Weights	Lb	680	680

**DIMENSIONS ARE WITHOUT SIDE PANELS. SEE PLAN VIEWS FOR ADDITIONAL EXTERIOR DIMENSIONS

ITALIA 2 NEUTRAL					
TECHNICAL FEATURES		MODELS			
		ITALIA 2 N900 (ITL2NT35)	ITALIA 2 N1200 (ITL2NT47)	ITALIA 2 N1500 (ITL2NT59)	ITALIA 2 N2000 (ITL2NT78)
External Dimensions (L-D-H)	Inches	*35 3/8" - 31 5/8" - 47 1/4"	*47 1/4" - 31 5/8" - 47 1/4"	*59" - 31 5/8" - 47 1/4"	*78 3/4" - 31 5/8" - 47 1/4"
Inches-MM	MM	*900 - 803 - 1200	*1200 - 803 - 1200	*1500 - 803 - 1200	*2000 - 803 - 1200
Crated Dimensions (L-D-H)	Inches	42" - 38" - 54"	54" - 38" - 54"	67" - 38" - 54"	85" - 38" - 54"
Inches-MM	MM	1066 - 965 - 1371	1371 - 965 - 1371	1701 - 965 - 1371	2159 - 965 - 1371
Operating Temperature	°F	Ambient	Ambient	Ambient	Ambient
Electric Supply	V/Ph/Hz	115/1/60	115/1/60	115/1/60	115/1/60
Power Consumption	W/A	70/0.6	100/0.9	140/1.3	150/1.4
Net Weights	Lb	285	355	440	575
Crated Weights	Lb	335	405	515	650

* DIMENSIONS ARE WITHOUT SIDE PANELS

ITALIA 2 NEUTRAL			
TECHNICAL FEATURES		MODELS	
		ITALIA 2 NA90LT	ITALIA 2 NA90RT
External Dimensions (L-D-H)	Inches	** 59" - 31 5/8" - 47 1/4"	** 59" - 31 5/8" - 47 1/4"
Inches-MM	MM	**1500 - 803 - 1200	**1500 - 803 - 1200
Crated Dimensions (L-D-H)	Inches	67" - 38" - 54"	67" - 38" - 54"
Inches-MM	MM	1701 - 965 - 1371	1701 - 965 - 1371
Operating Temperature	°F	Ambient	Ambient
Electric Supply	V/Ph/Hz	115/1/60	115/1/60
Power Consumption	A	3	3
Net Weights	Lb	670	670
Crated Weights	Lb	750	750

**DIMENSIONS ARE WITHOUT SIDE PANELS. SEE PLAN VIEWS FOR ADDITIONAL EXTERIOR DIMENSIONS

*Factory in its effort to upgrade and improve our products, has the right to change, modify, discontinue or change any feature, size or capacity on any model without prior notice.



512 South Airport Blvd., South San Francisco, CA 94080
 Tel: 855.885.2400 | 650.342.2400 | Fax: 650.342.7400
 sales@oscartek.com | www.oscartek.com



ITALIA 1-2-3 NEUTRAL SHOWCASE

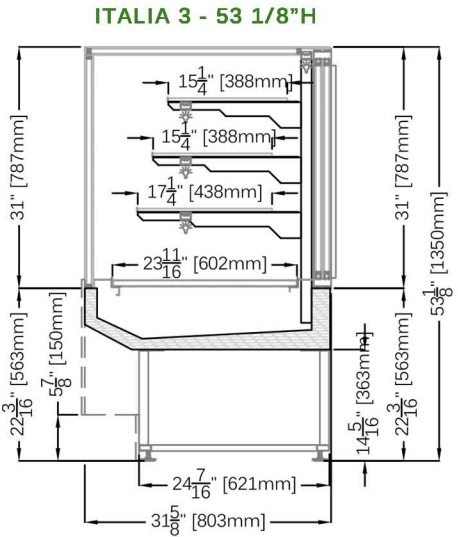
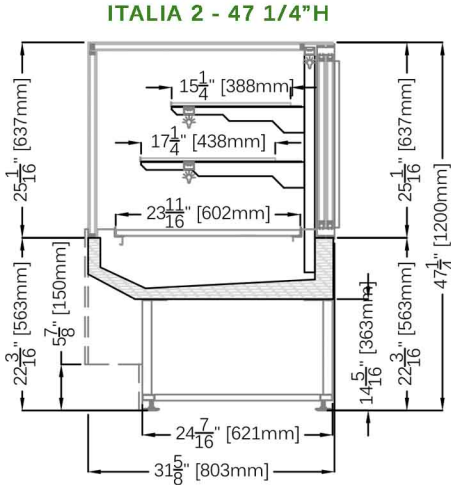
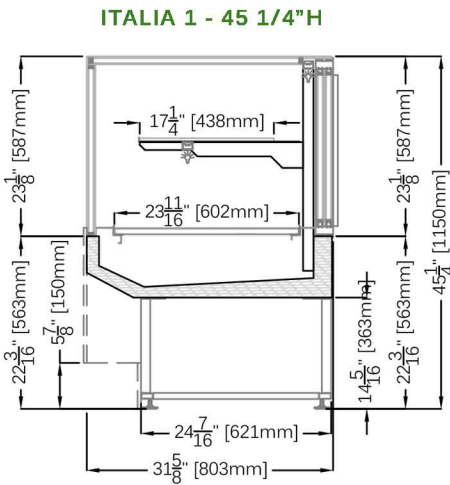
ITALIA 3 NEUTRAL					
TECHNICAL FEATURES		MODELS			
		ITALIA 3 N900 (ITL3NT35)	ITALIA 3 N1200 (ITL3NT47)	ITALIA 3 N1500 (ITL3NT59)	ITALIA 3 N2000 (ITL3NT78)
External Dimensions (L-D-H)	Inches	*35 3/8" - 31 5/8" - 53 1/8"	*47 1/4" - 31 5/8" - 53 1/8"	*59" - 31 5/8" - 53 1/8"	*78 3/4" - 31 5/8" - 53 1/8"
Inches-MM	MM	*900 - 803 - 1350	*1200 - 803 - 1350	*1500 - 803 - 1350	*2000 - 803 - 1350
Crated Dimensions (L-D-H)	Inches	42" - 38" - 60"	54" - 38" - 60"	67" - 38" - 60"	85" - 38" - 60"
Inches-MM	MM	1066 - 965 - 1524	1371 - 965 - 1524	1701 - 965 - 1524	2159 - 965 - 1524
Operating Temperature	°F	Ambient	Ambient	Ambient	Ambient
Electric Supply	V/Ph/Hz	115/1/60	115/1/60	115/1/60	115/1/60
Power Consumption	W/A	80/0.7	110/1.0	160/1.5	200/1.9
Net Weights	Lb	310	385	485	630
Crated Weights	Lb	360	435	560	705

* DIMENSIONS ARE WITHOUT SIDE PANELS

ITALIA 3 NEUTRAL			
TECHNICAL FEATURES		MODELS	
		ITALIA 3 NA90LT	ITALIA 3 NA90RT
External Dimensions (L-D-H)	Inches	** 59" - 31 5/8" - 53 1/8"	** 59" - 31 5/8" - 53 1/8"
Inches-MM	MM	**1500 - 803 - 1350	**1500 - 803 - 1350
Crated Dimensions (L-D-H)	Inches	67" - 38" - 60"	67" - 38" - 60"
Inches-MM	MM	1701 - 965 - 1524	1701 - 965 - 1524
Operating Temperature	°F	Ambient	Ambient
Electric Supply	V/Ph/Hz	115/1/60	115/1/60
Power Consumption	A	3	3
Net Weights	Lb	740	740
Crated Weights	Lb	815	815

**DIMENSIONS ARE WITHOUT SIDE PANELS. SEE PLAN VIEWS FOR ADDITIONAL EXTERIOR DIMENSIONS

SECTION VIEWS: ITALIA 1-2-3 N900, N1200, N1500, N2000, NA90LT, NA90RT



*Factory in its effort to upgrade and improve our products, has the right to change, modify, discontinue or change any feature, size or capacity on any model without prior notice.

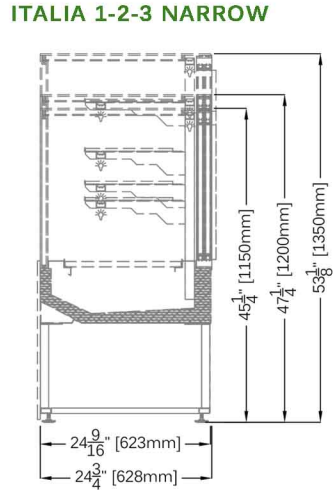
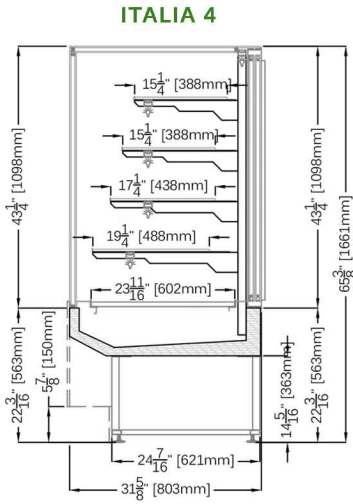


512 South Airport Blvd., South San Francisco, CA 94080
 Tel: 855.885.2400 | 650.342.2400 | Fax: 650.342.7400
 sales@oscartek.com | www.oscartek.com



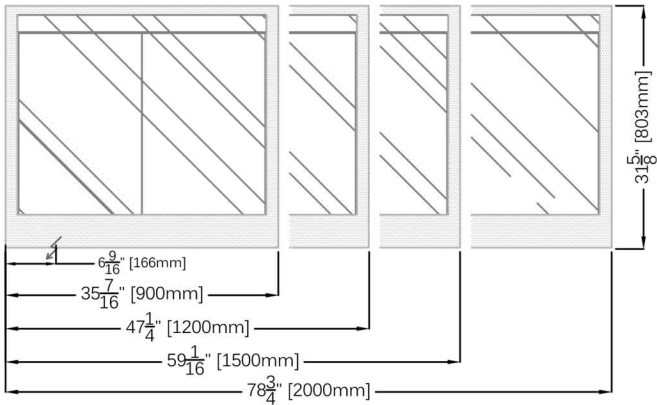
ITALIA 1-2-3 NEUTRAL SHOWCASE

OPTIONAL:



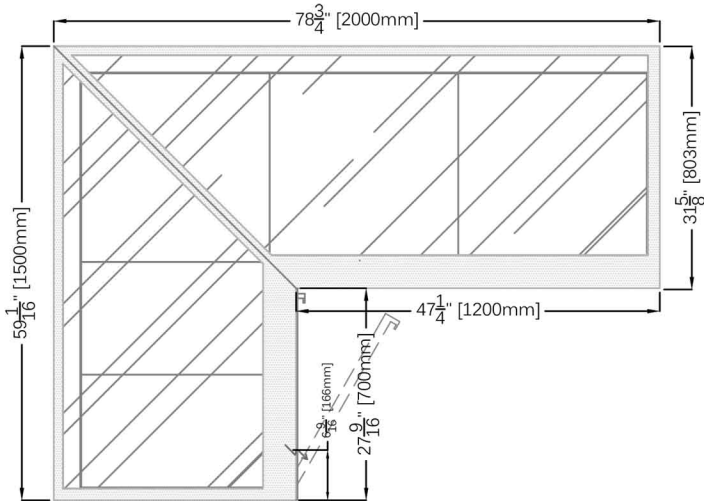
ITALIA 1-2-3 PLAN VIEWS: ITALIA 1-2-3 N900, N1200, N1500, N2000, NA90LT, NA90RT

ITALIA 1-2-3 LINEAR MODELS

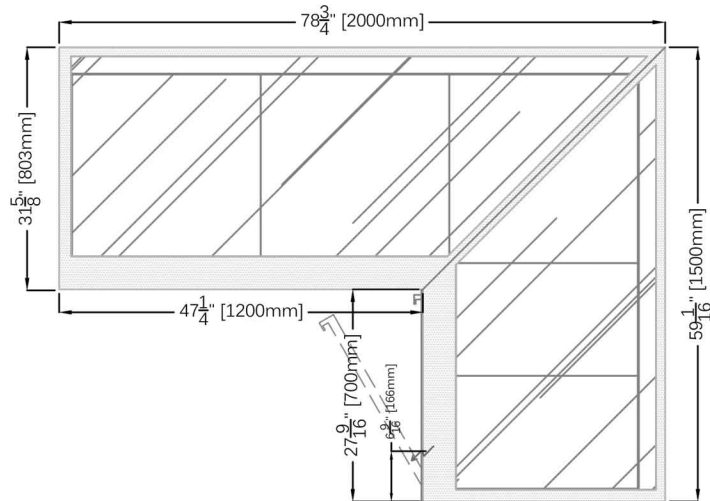


ELECTRICAL LEGEND	
	POWER

ITALIA 1-2-3 NA90LT



ITALIA 1-2-3 NA90RT



*Factory in its effort to upgrade and improve our products, has the right to change, modify, discontinue or change any feature, size or capacity on any model without prior notice.



512 South Airport Blvd., South San Francisco, CA 94080
 Tel: 855.885.2400 | 650.342.2400 | Fax: 650.342.7400
 sales@oscartek.com | www.oscartek.com

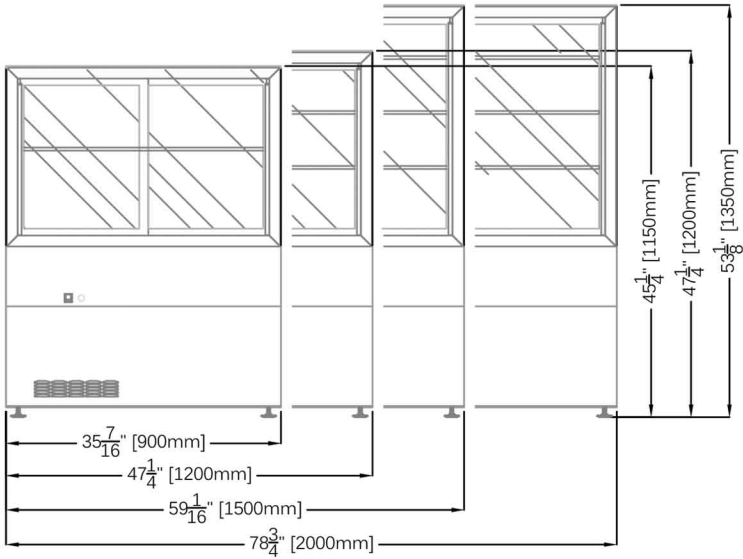


ITALIA 1-2-3 NEUTRAL SHOWCASE

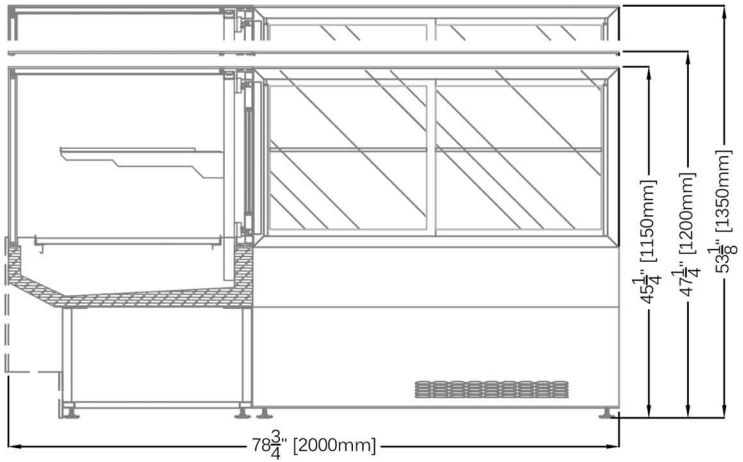
ITALIA 1-2-3 REAR ELEVATIONS (OPERATOR SIDE):

ITALIA 1-2-3 N900, N1200, N1500, N2000, NA90LT, NA90RT

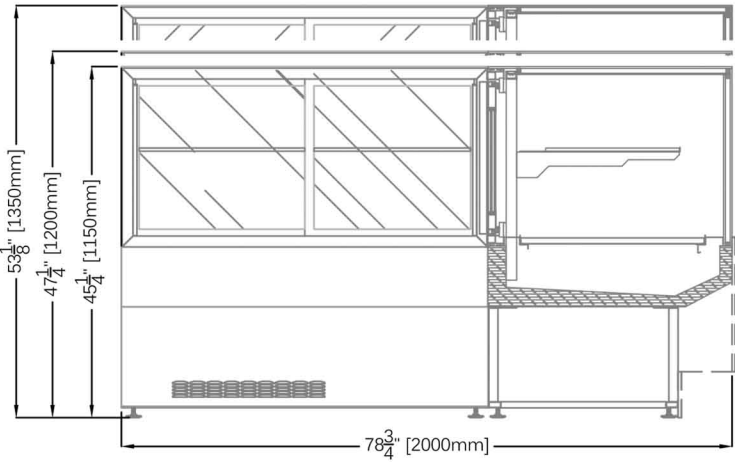
ITALIA 1-2-3 LINEAR MODELS



ITALIA 1-2-3 NA90LT



ITALIA 1-2-3 NA90RT



*Factory in its effort to upgrade and improve our products, has the right to change, modify, discontinue or change any feature, size or capacity on any model without prior notice.



512 South Airport Blvd., South San Francisco, CA 94080
 Tel: 855.885.2400 | 650.342.2400 | Fax: 650.342.7400
 sales@oscartek.com | www.oscartek.com



ITALIA 1-2-3 HOT CONVECTION SHOWCASE

STANDARD FEATURES

- Available in 3 heights: 45"H, 47"H, 53"H
- Convection heat circulating Fan
- Maxi display high volume heated
- Molded heat-insulated tank with rounded internal edges
- Diffused LED lighting 3000°K
- Sliding double pane doors closure on operator side
- Double glazed walls
- Perfect visibility on all 4 sides
- Front, top, sides double glasses
- Glass frame gray
- Cases ship standard unfinished front and stainless steel skin sides



Photo shown with optional RAL color finish. Standard cases are unfinished front with stainless steel skin sides.



Visit our website for more finishing options and RAL colors
www.oscartek.com

OPTIONS

- Italia 4
- Italia 1-2-3 Narrow - 25" deep
- Glass frame colors: black, white, and gold
- Humidity control water valve up to 20%
- Front access double doors
- Lift up hydraulic double pane front glass
- Matches with Muro H11
- RAL color finish/wood laminate front and side panels
- Heated pan for evaporator
- Casters

ITALIA 1 HOT CONVECTION				
TECHNICAL FEATURES		MODELS		
		ITALIA 1 H900 (ITL1HOT35)	ITALIA 1 H1200 (ITL1HOT47)	ITALIA 1 H1500 (ITL1HOT59)
External Dimensions (L-D-H)	Inches	*35 3/8" - 31 5/8" - 45 1/4"	*47 1/4" - 31 5/8" - 45 1/4"	*59" - 31 5/8" - 45 1/4"
	Inches-MM	*900 - 803 - 1150	*1200 - 803 - 1150	*1500 - 803 - 1150
Crated Dimensions (L-D-H)	Inches	42" - 38" - 52"	54" - 38" - 52"	67" - 38" - 52"
	Inches-MM	1066 - 965 - 1320	1371 - 965 - 1320	1701 - 965 - 1320
Operating Temperature	°F	75°F to 140°F	75°F to 140°F	75°F to 140°F
Electric Supply	V/Ph/Hz	208-220/1/60	208-220/1/60	208-220/1/60
Power Consumption	W/A	1300/6.0	1700/8.0	1900/8.9
Climatic Class	°F/H.R.	75°F-55%RH	75°F-55%RH	75°F-55%RH
Net Weights	Lb	265	320	400
Crated Weights	Lb	315	370	475

* DIMENSIONS ARE WITHOUT SIDE PANELS

*Factory in its effort to upgrade and improve our products, has the right to change, modify, discontinue or change any feature, size or capacity on any model without prior notice.



512 South Airport Blvd., South San Francisco, CA 94080
 Tel: 855.885.2400 | 650.342.2400 | Fax: 650.342.7400
sales@oscartek.com | www.oscartek.com



ITALIA 1-2-3 HOT CONVECTION SHOWCASE

ITALIA 2 HOT CONVECTION				
TECHNICAL FEATURES		MODELS		
		ITALIA 2 H900 (ITL2HOT35)	ITALIA 2 H1200 (ITL2HOT47)	ITALIA 2 H1500 (ITL2HOT59)
External Dimensions (L-D-H)	Inches	*35 3/8" - 31 5/8" - 47 1/4"	*47 1/4" - 31 5/8" - 47 1/4"	*59" - 31 5/8" - 47 1/4"
Inches-MM	MM	*900 - 803 - 1200	*1200 - 803 - 1200	*1500 - 803 - 1200
Crated Dimensions (L-D-H)	Inches	42" - 38" - 54"	54" - 38" - 54"	67" - 38" - 54"
Inches-MM	MM	1066 - 965 - 1371	1371 - 965 - 1371	1701 - 965 - 1371
Operating Temperature	°F	75°F to 140°F	75°F to 140°F	75°F to 140°F
Electric Supply	V/Ph/Hz	208-220/1/60	208-220/1/60	208-220/1/60
Power Consumption	W/A	1300/6.0	1700/8.0	1900/8.9
Climatic Class	°F/H.R.	75°F-55%RH	75°F-55%RH	75°F-55%RH
Net Weights	Lb	285	350	440
Crated Weights	Lb	335	425	515

* DIMENSIONS ARE WITHOUT SIDE PANELS

ITALIA 3 HOT CONVECTION				
TECHNICAL FEATURES		MODELS		
		ITALIA 3 H900 (ITL3HOT35)	ITALIA 3 H1200 (ITL3HOT47)	ITALIA 3 H1500 (ITL3HOT59)
External Dimensions (L-D-H)	Inches	*35 3/8" - 31 5/8" - 53 1/8"	*47 1/4" - 31 5/8" - 53 1/8"	*59" - 31 5/8" - 53 1/8"
Inches-MM	MM	*900 - 803 - 1350	*1200 - 803 - 1350	*1500 - 803 - 1350
Crated Dimensions (L-D-H)	Inches	42" - 38" - 60"	54" - 38" - 60"	67" - 38" - 60"
Inches-MM	MM	1066 - 965 - 1524	1371 - 965 - 1524	1701 - 965 - 1524
Operating Temperature	°F	75°F to 140°F	75°F to 140°F	75°F to 140°F
Electric Supply	V/Ph/Hz	208-220/1/60	208-220/1/60	208-220/1/60
Power Consumption	W/A	1450/6.5	1850/8.5	2100/10.0
Climatic Class	°F/H.R.	75°F-55%RH	75°F-55%RH	75°F-55%RH
Net Weights	Lb	310	385	485
Crated Weights	Lb	360	435	560

* DIMENSIONS ARE WITHOUT SIDE PANELS

*Factory in its effort to upgrade and improve our products, has the right to change, modify, discontinue or change any feature, size or capacity on any model without prior notice.

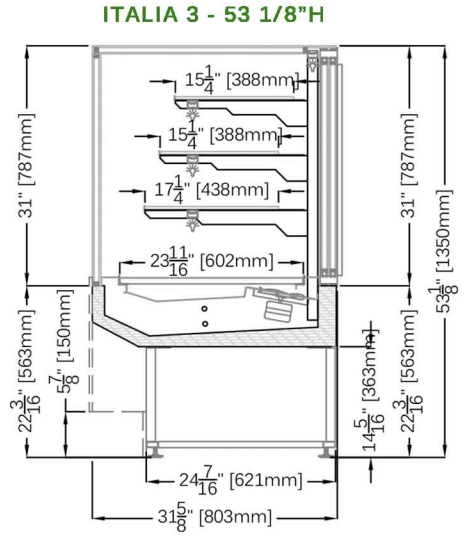
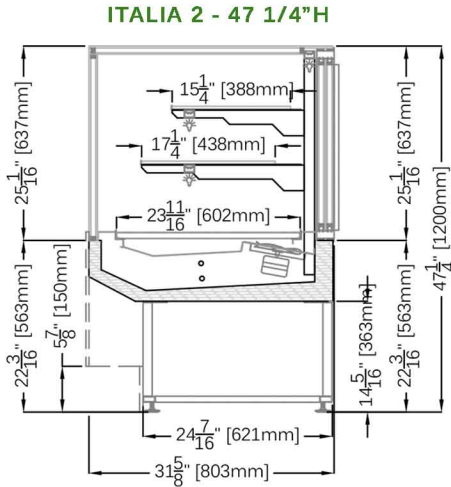
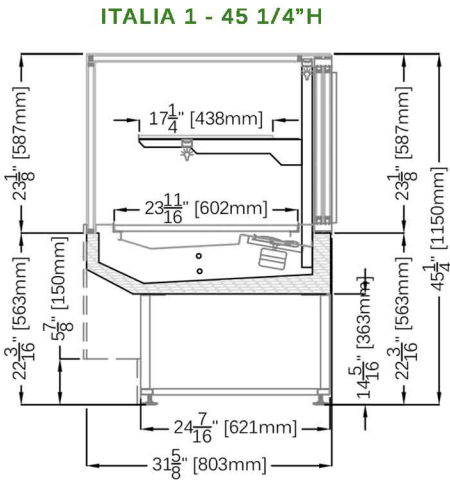


512 South Airport Blvd., South San Francisco, CA 94080
 Tel: 855.885.2400 | 650.342.2400 | Fax: 650.342.7400
 sales@oscartek.com | www.oscartek.com

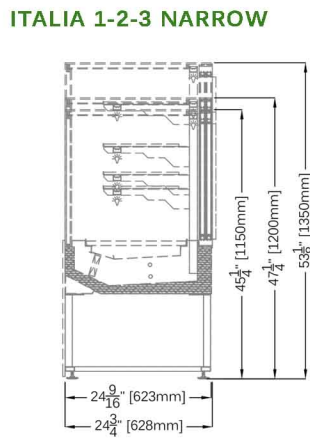
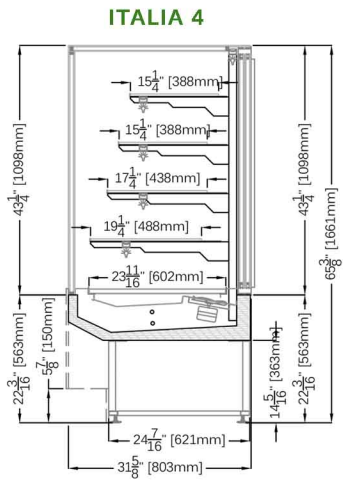


ITALIA 1-2-3 HOT CONVECTION SHOWCASE

SECTION VIEWS: ITALIA 1-2-3 H900, H1200, H1500

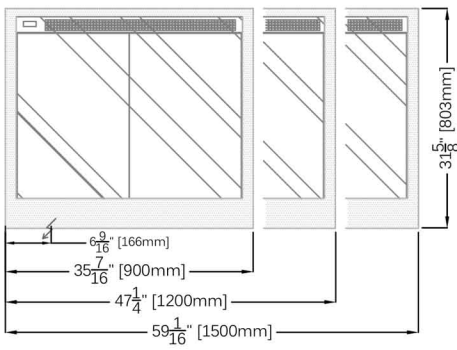


OPTIONAL:



ITALIA 1-2-3 PLAN VIEWS:

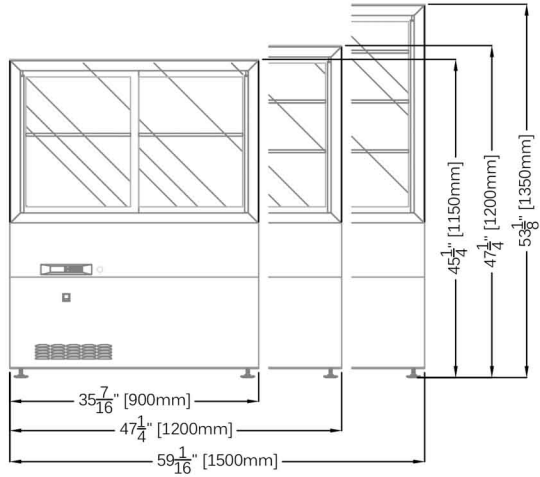
ITALIA 1-2-3 H900, H1200, H1500



ELECTRICAL LEGEND	
	POWER

ITALIA 1-2-3 REAR ELEVATIONS

(OPERATOR SIDE): ITALIA 1-2-3 H900, H1200, H1500



*Factory in its effort to upgrade and improve our products, has the right to change, modify, discontinue or change any feature, size or capacity on any model without prior notice.



512 South Airport Blvd., South San Francisco, CA 94080
 Tel: 855.885.2400 | 650.342.2400 | Fax: 650.342.7400
 sales@oscartek.com | www.oscartek.com



ITALIA 1-2-3 FISH SHOWCASE

STANDARD FEATURES

- Available in 3 heights: 45"H, 47"H, 53"H
- Sliding double pane doors closure on operator side
- Diffused LED lighting 3000°K
- Front, top, sides double pane glasses
- Glass frame gray
- Stainless steel cold wall static cooling insulated bin to retain ice
- Insulated stainless steel interior AISI 316 anti-corrosion
- Built in drain for cleaning
- Floor sink required
- Cases ship standard unfinished front and stainless steel skin sides



Photo shown with optional RAL color finish. Standard cases are unfinished front with stainless steel skin sides.

OPTIONS

- Italia 4
- Glass frame colors: black, white, and gold
- RAL color finish/wood laminate front and side panels
- Remote/water cooled unit
- Non-refrigerated shelf
- Casters



Visit our website for more finishing options and RAL colors
www.oscartek.com

ITALIA 1 FISH				
TECHNICAL FEATURES		MODELS		
		ITALIA 1 F900 (ITL1FISH35)	ITALIA 1 F1200 (ITL1FISH47)	ITALIA 1 F1500 (ITL1FISH59)
External Dimensions (L-D-H)	Inches	*35 3/8" - 31 5/8" - 45 1/4"	*47 1/4" - 31 5/8" - 45 1/4"	*59" - 31 5/8" - 45 1/4"
	Inches-MM	*900 - 803 - 1150	*1200 - 803 - 1150	*1500 - 803 - 1150
Crated Dimensions (L-D-H)	Inches	42" - 38" - 52"	54" - 38" - 52"	67" - 38" - 52"
	Inches-MM	1066 - 965 - 1320	1371 - 965 - 1320	1701 - 965 - 1320
Operating Temperature (Cold Wall)	°F	+34°F	+34°F	+34°F
BTU'S @ +4°F Expansion Temperature	BTU's	1536	2048	2390
Electric Supply	V/Ph/Hz	115/1/60	115/1/60	115/1/60
Power Consumption	W/A	650/5.9	750/6.9	900/8.9
Climatic Class	°F/%RH	75°F-55%RH	75°F-55%RH	75°F-55%RH
Refrigerant Gas	Type	R404A / R452A	R404A / R452A	R404A / R452A
Pipe Size (Inches)	Suction, Liquid	3/8" Suction, 1/4" Liquid	3/8" Suction, 1/4" Liquid	1/2" Suction, 1/4" Liquid
Net Weights	Lbs	260	330	420
Crated Weights	Lbs	310	380	470

* DIMENSIONS ARE WITHOUT SIDE PANELS

*Factory in its effort to upgrade and improve our products, has the right to change, modify, discontinue or change any feature, size or capacity on any model without prior notice.



512 South Airport Blvd., South San Francisco, CA 94080
 Tel: 855.885.2400 | 650.342.2400 | Fax: 650.342.7400
sales@oscartek.com | www.oscartek.com



ITALIA 1-2-3 FISH SHOWCASE

ITALIA 2 FISH				
TECHNICAL FEATURES		MODELS		
		ITALIA 2 F900 (ITL2FISH35)	ITALIA 2 F1200 (ITL2FISH47)	ITALIA 2 F1500 (ITL2FISH59)
External Dimensions (L-D-H)	Inches	*35 3/8" - 31 5/8" - 47 1/4"	*47 1/4" - 31 5/8" - 47 1/4"	*59" - 31 5/8" - 47 1/4"
Inches-MM	MM	*900 - 803 - 1200	*1200 - 803 - 1200	*1500 - 803 - 1200
Crated Dimensions (L-D-H)	Inches	42" - 38" - 54"	54" - 38" - 54"	67" - 38" - 54"
Inches-MM	MM	1066 - 965 - 1371	1371 - 965 - 1371	1701 - 965 - 1371
Operating Temperature (Cold Wall)	°F	+34°F	+34°F	+34°F
BTU'S @ +4°F Expansion Temperature	BTU's	1550	2050	2390
Electric Supply	V/Ph/Hz	115/1/60	115/1/60	115/1/60
Power Consumption	W/A	670/6.1	770/7.1	920/9.0
Climatic Class	°F/%RH	75°F-55%RH	75°F-55%RH	75°F-55%RH
Refrigerant Gas	Type	R404A / R452A	R404A / R452A	R404A / R452A
Pipe Size (Inches)	Suction, Liquid	3/8" Suction, 1/4" Liquid	3/8" Suction, 1/4" Liquid	1/2" Suction, 1/4" Liquid
Net Weights	Lbs	290	350	440
Crated Weights	Lbs	335	400	490

* DIMENSIONS ARE WITHOUT SIDE PANELS

ITALIA 3 FISH				
TECHNICAL FEATURES		MODELS		
		ITALIA 3 F900 (ITL3FISH35)	ITALIA 3 F1200 (ITL3FISH47)	ITALIA 3 F1500 (ITL3FISH59)
External Dimensions (L-D-H)	Inches	*35 3/8" - 31 5/8" - 53 1/8"	*47 1/4" - 31 5/8" - 53 1/8"	*59" - 31 5/8" - 53 1/8"
Inches-MM	MM	*900 - 803 - 1350	*1200 - 803 - 1350	*1500 - 803 - 1350
Crated Dimensions (L-D-H)	Inches	42" - 38" - 60"	54" - 38" - 60"	67" - 38" - 60"
Inches-MM	MM	1066 - 965 - 1524	1371 - 965 - 1524	1701 - 965 - 1524
Operating Temperature (Cold Wall)	°F	+34°F	+34°F	+34°F
BTU'S @ +4°F Expansion Temperature	BTU's	1550	2050	2390
Electric Supply	V/Ph/Hz	115/1/60	115/1/60	115/1/60
Power Consumption	W/A	690/6.3	800/7.4	950/9.2
Climatic Class	°F/%RH	75°F-55%RH	75°F-55%RH	75°F-55%RH
Refrigerant Gas	Type	R404A / R452A	R404A / R452A	R404A / R452A
Pipe Size (Inches)	Suction, Liquid	3/8" Suction, 1/4" Liquid	3/8" Suction, 1/4" Liquid	1/2" Suction, 1/4" Liquid
Net Weights	Lbs	310	380	460
Crated Weights	Lbs	360	455	535

* DIMENSIONS ARE WITHOUT SIDE PANELS

*Factory in its effort to upgrade and improve our products, has the right to change, modify, discontinue or change any feature, size or capacity on any model without prior notice.

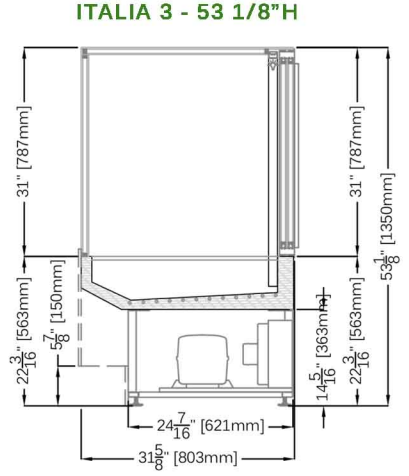
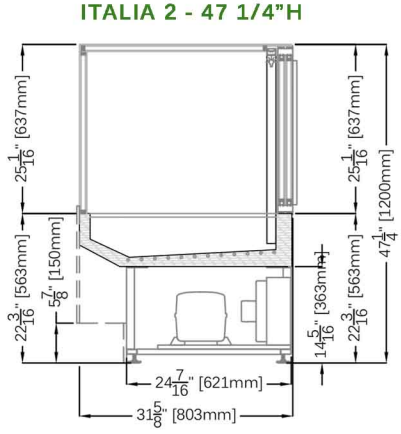
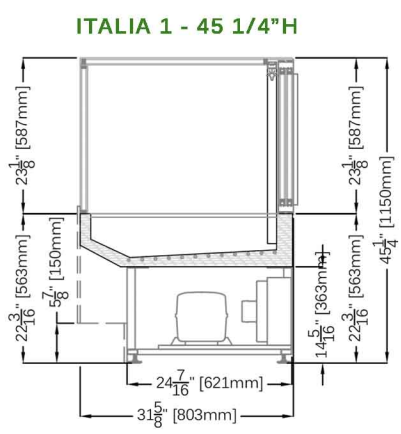


512 South Airport Blvd., South San Francisco, CA 94080
 Tel: 855.885.2400 | 650.342.2400 | Fax: 650.342.7400
 sales@oscartek.com | www.oscartek.com

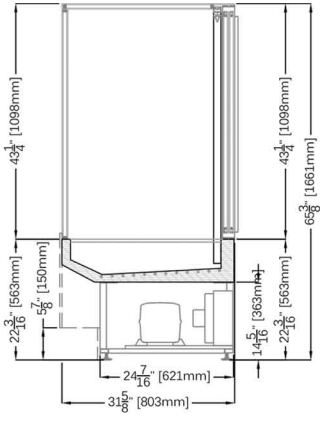


ITALIA 1-2-3 FISH SHOWCASE

SECTION VIEWS: ITALIA 1-2-3 F900, F1200, F1500

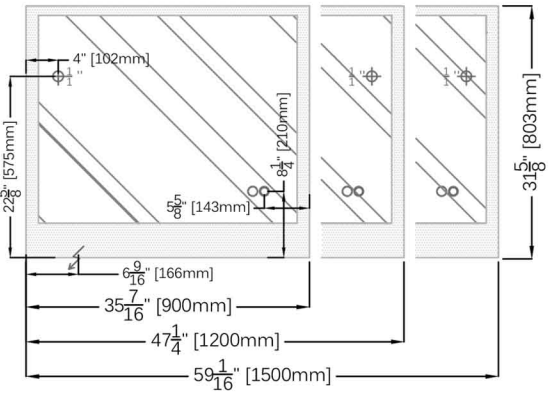


OPTIONAL: ITALIA 4



ITALIA 1-2-3 PLAN VIEWS:

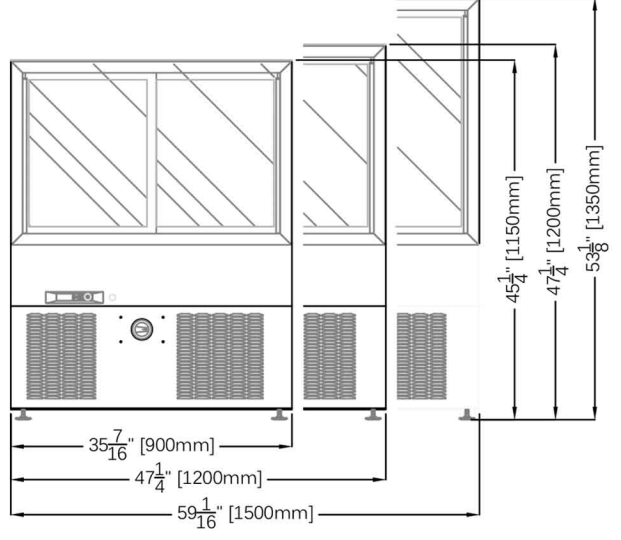
ITALIA 1-2-3 F900, F1200, F1500



ELECTRICAL LEGEND	
	REFRIGERATED LINES
	DRAIN
	POWER

ITALIA 1-2-3 REAR ELEVATIONS (OPERATOR SIDE): SHOWN WITH REAR VENTILATION

ITALIA 1-2-3 F900, F1200, F1500



*Factory in its effort to upgrade and improve our products, has the right to change, modify, discontinue or change any feature, size or capacity on any model without prior notice.



512 South Airport Blvd., South San Francisco, CA 94080
 Tel: 855.885.2400 | 650.342.2400 | Fax: 650.342.7400
 sales@oscartek.com | www.oscartek.com



ITALIA 2-3 SELF SERVE REAR LOADING SHOWCASE

STANDARD FEATURES

- Available in 2 heights: 47"H and 53"H
- Diffused LED lighting 3000°K
- Glass frame gray
- Polished stainless steel display area
- Rear loading with two double pane leaf doors
- Glass shelf/shelves
- Ventilated refrigeration system on all shelf/shelves
- Automatic defrost
- Dixell digital control
- Tubular structure painted stainless steel
- Cases ship standard unfinished front and stainless steel skin sides



Photo shown with optional RAL color finish. Standard cases are unfinished front with stainless steel skin sides.

OPTIONS

- Glass frame colors: black, white, and gold
- Remote condensing unit
- Matches with Muro H11
- Cold storage
- RAL color finish/wood laminate front and side panels
- Heated pan for evaporator
- Casters



Visit our website for more finishing options and RAL colors
www.oscartek.com

ITALIA 2 SELF SERVE REAR LOADING

TECHNICAL FEATURES		MODELS		
		ITALIA 2 SSRL1000 (ITL2SELF39)	ITALIA 2 SSRL1500 (ITL2SELF59)	ITALIA 2 SSRL2000 (ITL2SELF78)
External Dimensions (L-D-H)	Inches	*39 3/8" - 31 11/16" - 47 1/4"	*59 1/16" - 31 11/16" - 47 1/4"	*78 3/4" - 31 11/16" - 47 1/4"
	Inches-MM	*1000 - 804 - 1200	*1500 - 804 - 1200	*2000 - 804 - 1200
Crated Dimensions (L-D-H)	Inches	44" - 38" - 54"	64" - 38" - 54"	83" - 38" - 54"
	Inches-MM	1117 - 965 - 1371	1625 - 965 - 1371	2108 - 965 - 1371
Refrigeration	Type	Ventilated	Ventilated	Ventilated
Refrigeration Display Area	Type	Deck + Shelf	Deck + Shelf	Deck + Shelf
Operating Temperature	°F	+41°F	+41°F	+41°F
BTU'S @ +14°F Expansion Temperature	BTU's	6000	7500	8500
Electric Supply	V/Ph/Hz	208-220/1/60	208-220/1/60	208-220/1/60
Power Consumption	W/A	1400/7	1500/8	1800/9
Climatic Class	°F/H.R.	75°F-55%RH	75°F-55%RH	75°F-55%RH
Refrigerant Gas	Type	R404A / R452A	R404A / R452A	R404A / R452A
Pipe Size (Inches)	Suction, Liquid	5/8" Suction, 5/16" Liquid	5/8" Suction, 5/16" Liquid	5/8" Suction, 5/16" Liquid
Net Weights	Lb	450	685	990
Crated Weights	Lb	500	760	1065

* DIMENSIONS ARE WITHOUT SIDE PANELS

*Factory in its effort to upgrade and improve our products, has the right to change, modify, discontinue or change any feature, size or capacity on any model without prior notice.



512 South Airport Blvd., South San Francisco, CA 94080
 Tel: 855.885.2400 | 650.342.2400 | Fax: 650.342.7400
sales@oscartek.com | www.oscartek.com

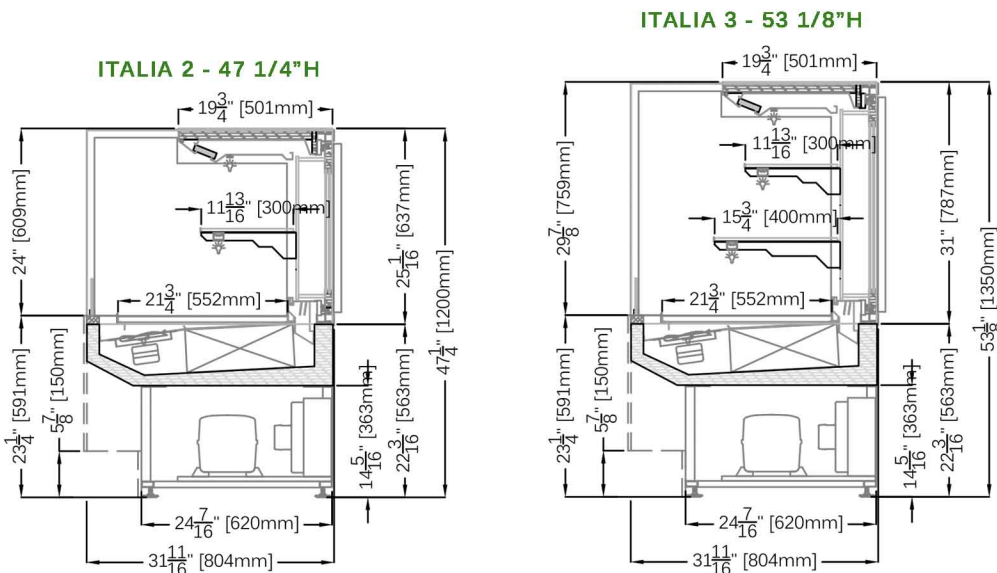


ITALIA 2-3 SELF SERVE REAR LOADING SHOWCASE

ITALIA 3 SELF SERVE REAR LOADING				
TECHNICAL FEATURES		MODELS		
		ITALIA 3 SSRL1000 (ITL3SELF39)	ITALIA 3 SSRL1500 (ITL3SELF59)	ITALIA 3 SSRL2000 (ITL3SELF78)
External Dimensions (L-D-H)	Inches	*39 3/8" - 31 11/16" - 53 1/8"	*59 1/16" - 31 11/16" - 53 1/8"	*78 3/4" - 31 11/16" - 53 1/8"
Inches-MM	MM	*1000 - 804 - 1350	*1500 - 804 - 1350	*2000 - 804 - 1350
Crated Dimensions (L-D-H)	Inches	44" - 38" - 60"	64" - 38" - 60"	83" - 38" - 60"
Inches-MM	MM	1117 - 965 - 1524	1625 - 965 - 1524	2108 - 965 - 1524
Refrigeration	Type	Ventilated	Ventilated	Ventilated
Refrigeration Display Area	Type	Deck + Shelves	Deck + Shelves	Deck + Shelves
Operating Temperature	°F	+41°F	+41°F	+41°F
BTU'S @ +14°F Expansion Temperature	BTU's	6500	8200	9600
Electric Supply	V/Ph/Hz	208-220/1/60	208-220/1/60	208-220/1/60
Power Consumption	W/A	1650/7.5	1850/8.9	1950/9.1
Climatic Class	°F/H.R.	75°F-55%RH	75°F-55%RH	75°F-55%RH
Refrigerant Gas	Type	R404A / R452A	R404A / R452A	R404A / R452A
Pipe Size (Inches)	Suction, Liquid	5/8" Suction, 5/16" Liquid	5/8" Suction, 5/16" Liquid	3/4" Suction, 3/8" Liquid
Net Weights	Lb	485	750	990
Crated Weights	Lb	535	825	1065

* DIMENSIONS ARE WITHOUT SIDE PANELS

SECTION VIEWS: ITALIA 2-3 SSRL1000, SSRL1500, SSRL2000



*Factory in its effort to upgrade and improve our products, has the right to change, modify, discontinue or change any feature, size or capacity on any model without prior notice.

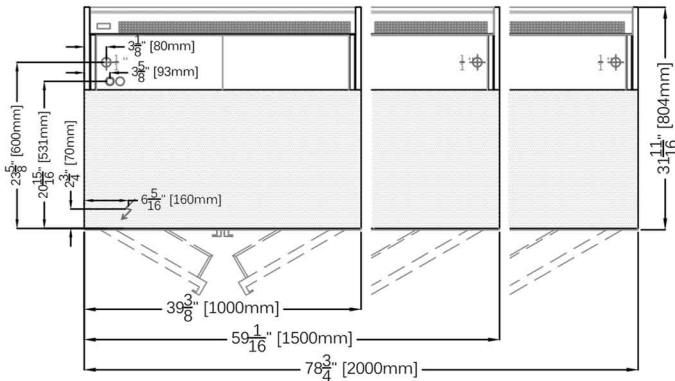


512 South Airport Blvd., South San Francisco, CA 94080
 Tel: 855.885.2400 | 650.342.2400 | Fax: 650.342.7400
 sales@oscartek.com | www.oscartek.com



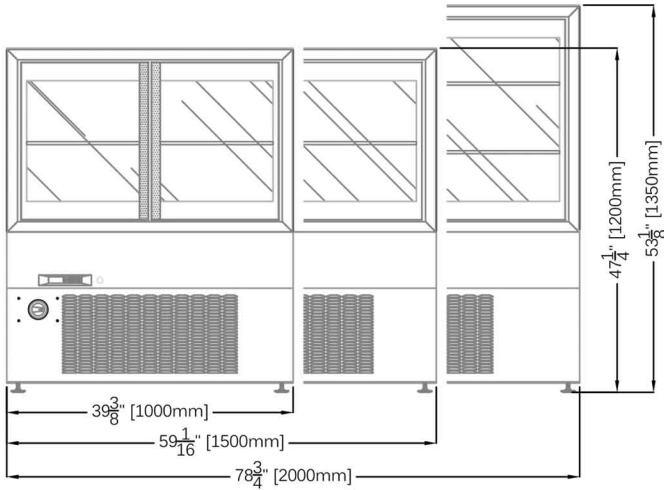
ITALIA 2-3 SELF SERVE REAR LOADING SHOWCASE

ITALIA 2-3 PLAN VIEWS: ITALIA 2-3 SSRL1000, SSRL1500, SSRL2000



ELECTRICAL LEGEND	
	REFRIGERATED LINES
	DRAIN
	POWER

ITALIA 2-3 REAR ELEVATIONS (OPERATOR SIDE): ITALIA 2-3 SSRL1000, SSRL1500, SSRL2000



*Factory in its effort to upgrade and improve our products, has the right to change, modify, discontinue or change any feature, size or capacity on any model without prior notice.



512 South Airport Blvd., South San Francisco, CA 94080
 Tel: 855.885.2400 | 650.342.2400 | Fax: 650.342.7400
 sales@oscartek.com | www.oscartek.com



ITALIA PRO HIGH HUMIDITY COLD SHOWCASE

STANDARD FEATURES

- Maxi display refrigerated top
- Diffused LED light 3000°K
- Sliding double pane glass drawers
- Double glazed tempered front, sides, and top glass
- Electronic temperature control
- Perfect visibility on all 4 sides
- Glass frame gray
- Cases ship standard unfinished front and stainless steel skin sides



Photos shown with custom finish and RAL color finish. Standard cases are unfinished front with stainless steel skin sides.

OPTIONS

- Glass frame colors: black, white, and gold
- Remote condensing unit
- RAL color finish/wood laminate front and side panels
- Heated pan for evaporator
- Casters



Visit our website for more finishing options and RAL colors
www.oscartek.com

ITALIA PRO HIGH HUMIDITY COLD SHOWCASE				
DELI/PASTRY / CHEESE / RED MEAT / CHARCUTERIE				
TECHNICAL FEATURES		MODELS		
		ITALIA PRO 900 (ITL35PRDP)	ITALIA PRO 1200 (ITL47PRDP)	ITALIA PRO 1500 (ITL59PRDP)
External Dimensions (L-D-H)	Inches	*35 5/8" - 32 5/8" - 37 3/8"	*47 3/8" - 32 5/8" - 37 3/8"	*59 1/4" - 32 5/8" - 37 3/8"
	MM	*904 - 829 - 950	*1204 - 829 - 950	*1504 - 829 - 950
Crated Dimensions (L-D-H)	Inches	43 3/8" - 39 3/8" - 43"	55 1/8" - 39 3/8" - 43"	66 7/8" - 39 3/8" - 43"
	MM	1100 - 1000 - 1092	1400 - 1000 - 1092	1700 - 1000 - 1092
Refrigeration	Type	Ventilated	Ventilated	Ventilated
Refrigeration Display Area	Type	Deck	Deck	Deck
Operating Temperature	°F	39.2°F	39.2°F	39.2°F
Compressor	Nr./Type	1 / Hermetic	1 / Hermetic	1 / Hermetic
BTU'S @ +14°F Expansion Temperature	BTU's	1980 (Deli/Pastry/Cheese) 2200 (Meat/Charcuterie)	2660 (Deli/Pastry/Cheese) 2900 (Meat/Charcuterie)	3380 (Deli/Pastry/Cheese) 3900 (Meat/Charcuterie)
Electric Supply	V/Ph/Hz	115/1/60	115/1/60	115/1/60
Power Consumption	W/A	580/5.5 (Deli/Pastry/Cheese) 680/6.1 (Meat/Charcuterie)	650/6.2 (Deli/Pastry/Cheese) 850/7.9 (Meat/Charcuterie)	850/8.0 (Deli/Pastry/Cheese) 1100/10.2 (Meat/Charcuterie)
Defrost	Mode/Type	Automatic	Automatic	Automatic
Climatic Class	°F/H.R.	75°F-55%RH	75°F-55%RH	75°F-55%RH
Refrigerant Gas	Type	R404A / R452A	R404A / R452A	R404A / R452A
Pipe Size (Inches)	Suction, Liquid	3/8" Suction, 1/4" Liquid	3/8" Suction, 1/4" Liquid	1/2" Suction, 1/4" Liquid
Net Weights	Lb	330	400	510
Crated Weights	Lb	380	450	585

* DIMENSIONS ARE WITHOUT SIDE PANELS

*Factory in its effort to upgrade and improve our products, has the right to change, modify, discontinue or change any feature, size or capacity on any model without prior notice.

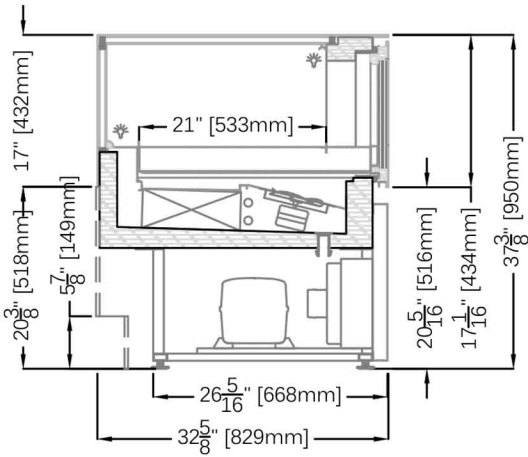


512 South Airport Blvd., South San Francisco, CA 94080
 Tel: 855.885.2400 | 650.342.2400 | Fax: 650.342.7400
sales@oscartek.com | www.oscartek.com



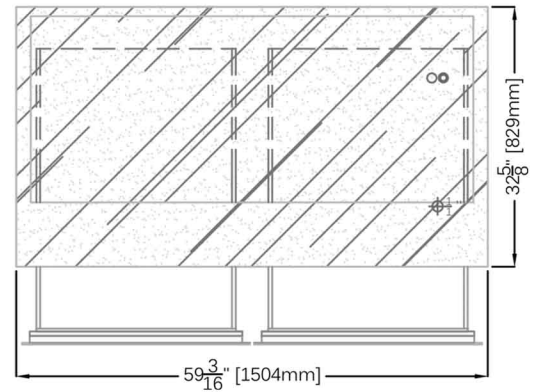
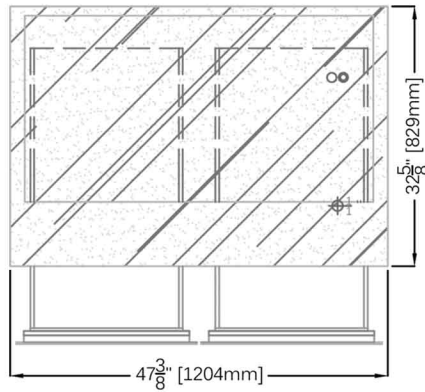
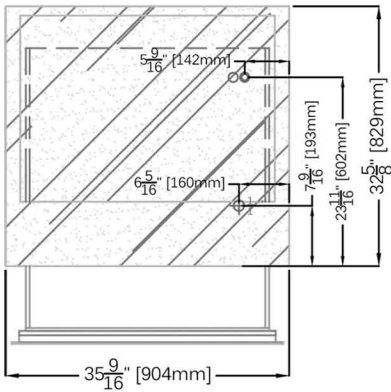
ITALIA PRO HIGH HUMIDITY COLD SHOWCASE

SECTION VIEW: ITALIA PRO 900, 1200, 1500

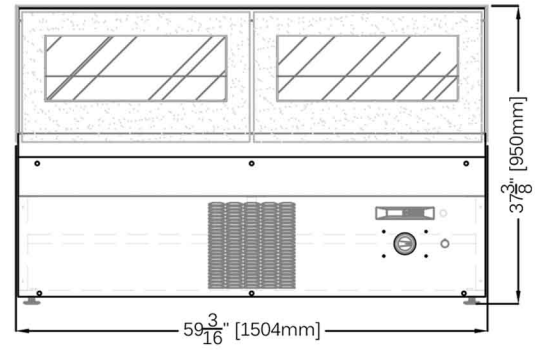
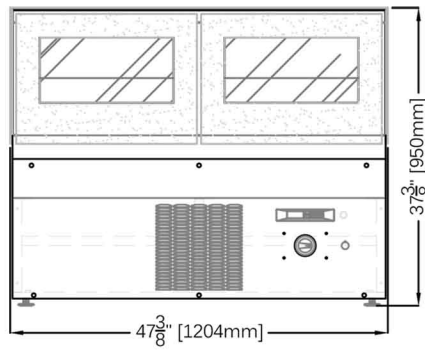
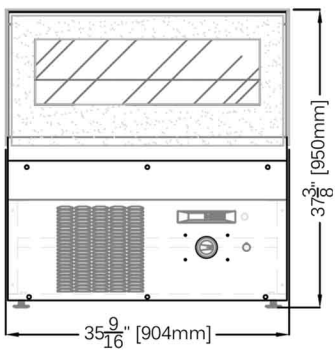


ELECTRICAL LEGEND	
	REFRIGERATED LINES
	DRAIN
	POWER

PLAN VIEWS: ITALIA PRO 900, 1200, 1500



REAR ELEVATIONS (OPERATOR SIDE): ITALIA PRO 900, 1200, 1500



*Factory in its effort to upgrade and improve our products, has the right to change, modify, discontinue or change any feature, size or capacity on any model without prior notice.



512 South Airport Blvd., South San Francisco, CA 94080
 Tel: 855.885.2400 | 650.342.2400 | Fax: 650.342.7400
 sales@oscartek.com | www.oscartek.com



ITALIA MILK SHOWCASE

STANDARD FEATURES

- Reinforced deck for heavy weight
- Double pane hinged back doors
- Dixell digital control
- Brushed stainless steel top, sides, and rear
- Bottom evaporator ventilation cooling
- Self contained air cooled condensing unit
- Stainless steel foam in place bottom and top
- Roll down shutter with lock
- Diffused LED light 3000°K
- Adjustable feet
- Cases ship standard stainless steel interior and exterior

OPTIONS

- Stainless steel shelf in lieu of glass
- Black/white /RAL interior
- Remote/water cooled condensing unit
- Matches with Muro H11
- RAL color finish/wood laminate front and side panels
- Heated pan for evaporator
- Casters



Photo shown with standard stainless steel interior and exterior finish.



Visit our website for more finishing options and RAL colors
www.oscartek.com

ITALIA MILK				
TECHNICAL FEATURES		MODELS		
		ITALIA MILK 915 (ITLMILK36)	ITALIA MILK 1150 (ITLMILK45)	ITALIA MILK 1480 (ITLMILK58)
External Dimensions (L-D-H)	Inches	36" - 41 15/16" - 61 3/4"	45 1/4" - 41 15/16" - 61 3/4"	58 1/4" - 41 15/16" - 61 3/4"
	MM	915 - 1065 - 1569	1150 - 1065 - 1569	1480 - 1065 - 1569
Crated Dimensions (L-D-H)	Inches	43 3/8" - 49" - 69"	53" - 49" - 69"	66 7/8" - 49" - 69"
	MM	1100 - 1249 - 1752	1346 - 1249 - 1752	1700 - 1249 - 1752
Refrigeration	Type	Ventilated	Ventilated	Ventilated
Refrigeration Display Area	Type	Deck + Shelf	Deck + Shelf	Deck + Shelf
Operating Temperature	°F	+15°F	+15°F	+15°F
BTU'S @ +14°F Evap Temperature	BTU's	8000	9000	10,500
Electric Supply	V/Ph/Hz	208-220/1/60	208-220/1/60	208-220/1/60
Power Consumption	W/A	1850/8.9	1950/9.1	2150/11.1
Climatic Class	°F/H.R.	75°F-55%RH	75°F-55%RH	75°F-55%RH
Refrigerant Gas	Type	R404A / R452A	R404A / R452A	R404A / R452A
Pipe Size (Inches)	Suction, Liquid	5/8" Suction, 5/16" Liquid	5/8" Suction, 5/16" Liquid	3/4" Suction, 3/8" Liquid
Net Weights	Lb	350	450	600
Crated Weights	Lb	400	525	675

*Factory in its effort to upgrade and improve our products, has the right to change, modify, discontinue or change any feature, size or capacity on any model without prior notice.

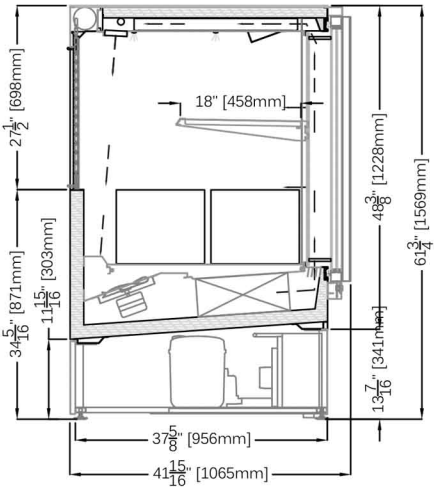


512 South Airport Blvd., South San Francisco, CA 94080
 Tel: 855.885.2400 | 650.342.2400 | Fax: 650.342.7400
sales@oscartek.com | www.oscartek.com

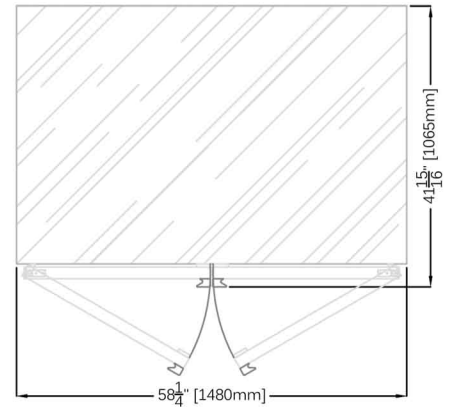
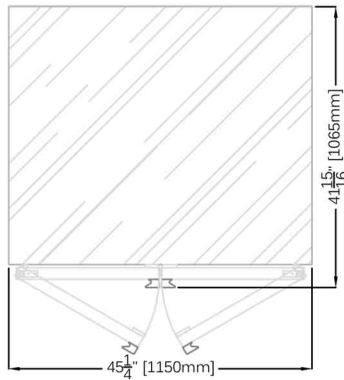
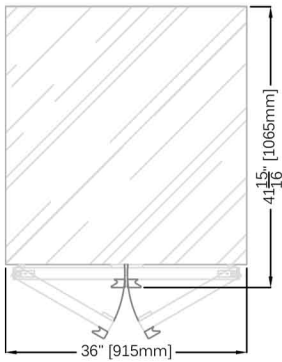


ITALIA MILK SHOWCASE

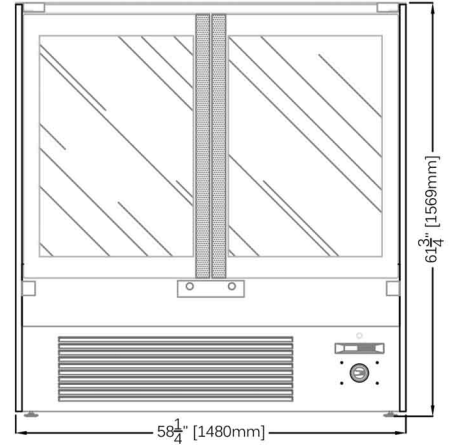
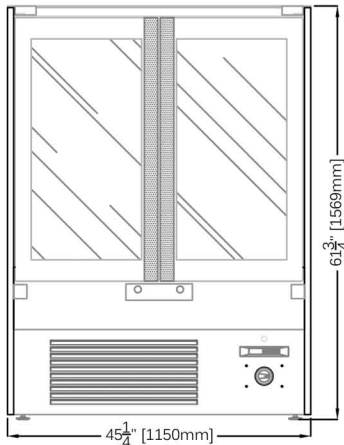
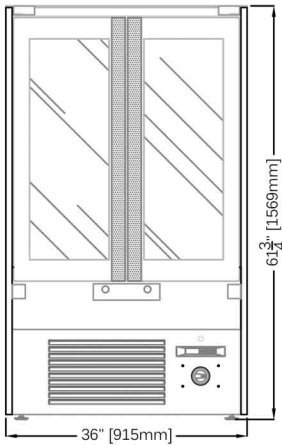
SECTION VIEW: ITALIA MILK 915, 1150, 1480



PLAN VIEWS: ITALIA MILK 915, 1150, 1480



REAR ELEVATIONS (OPERATOR SIDE): ITALIA MILK 915, 1150, 1480



*Factory in its effort to upgrade and improve our products, has the right to change, modify, discontinue or change any feature, size or capacity on any model without prior notice.



512 South Airport Blvd., South San Francisco, CA 94080
 Tel: 855.885.2400 | 650.342.2400 | Fax: 650.342.7400
 sales@oscartek.com | www.oscartek.com

