

# DIAMOND

*Display with grace and elegance*



A true winner to a trained eye. This display case comes in 3 heights and tilt front glass for ease of cleaning. This case is available in Pastry, Deli and Gelato Ice Cream configurations both in linear and curved applications. Just like the entire OscarTek™ line it can be customized to fit any décor.



*Discover the Art of Display...*

512 South Airport Blvd., South San Francisco, CA 94080  
Tel: 855.885.2400 | 650.342.2400 | Fax: 650.342.7400  
sales@oscartek.com | www.oscartek.com





Discover the Art of Display...

Project Name: \_\_\_\_\_

Item #: \_\_\_\_\_ Quantity: \_\_\_\_\_

# DIAMOND 1-2-3

## Gelato/Ice Cream Showcase



Photo shown with Diamond 2 Gelato with optional white front panels.

**DIAMOND 1 GELATO MODELS:** DIAMOND 1 G1110, DIAMOND 1 G1610, DIAMOND 1 G2106, DIAMOND 1 G2106 Dual Temp, DIAMOND 1 GA30, DIAMOND 1 GC30

**DIAMOND 2 GELATO MODELS:** DIAMOND 2 G1110, DIAMOND 2 G1610, DIAMOND 2 G2106, DIAMOND 2 G2106 Dual Temp, DIAMOND 2 GA30, DIAMOND 2 GC30

**DIAMOND 3 GELATO MODELS:** DIAMOND 3 G1110, DIAMOND 3 G1610, DIAMOND 3 G2106, DIAMOND 3 G2106 Dual Temp, DIAMOND 3 GA30, DIAMOND 3 GC30

### STANDARD FEATURES

- Available in 3 heights 47”H, 53”H, and 59”H
- Chrome finishing
- Diffused LED lighting 3000°K
- Electric control board
- Reverse cycle defrost
- Front glass with safety tilt down opening system
- Dixell digital control
- Illuminated flavor panel
- Pyrolytic anti-fog front and side glass
- Cases ship standard unfinished front and stainless steel skin sides



Visit our website for more finishing options and RAL colors [www.oscartek.com](http://www.oscartek.com)

### OPTIONS

- Remote condensing unit
- Work top (brushed s/s, corian, granite)
- Round tubs
- Stainless steel or acrylic pans
- Stainless steel display trays for ice cream cakes
- Popsicle display tray (stainless steel & plastic: available in color options)
- Epoxy RAL color interior and exterior over stainless steel
- RAL color/custom plastic wood laminate exterior front and sides
- Unfinished panels to accept millwork by others
- Condensate heated pan
- Casters
- Dipper well
- Cone holder

\*Oscartek reserves the right to change, modify, discontinue, or change any features, sizes, or capacity on any model without prior notice.

OSCARTEK®  
512 South Airport Blvd., South San Francisco, CA 94080  
Tel: 650.342.2400 | Fax: 650.342.7400  
[www.oscartek.com](http://www.oscartek.com)





Project Name: \_\_\_\_\_  
 Item #: \_\_\_\_\_ Quantity: \_\_\_\_\_

## DIAMOND 1-2-3 GELATO/ICE CREAM

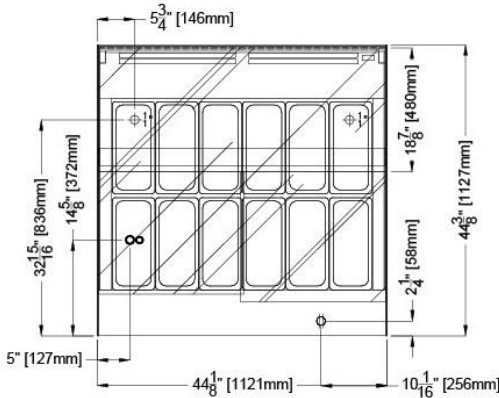
**DIAMOND 1 GELATO MODELS:** DIAMOND 1 G1110, DIAMOND 1 G1610, DIAMOND 1 G2106, DIAMOND 1 G2106 Dual Temp, DIAMOND 1 GA30, DIAMOND 1 GC30

**DIAMOND 2 GELATO MODELS:** DIAMOND 2 G1110, DIAMOND 2 G1610, DIAMOND 2 G2106, DIAMOND 2 G2106 Dual Temp, DIAMOND 2 GA30, DIAMOND 2 GC30

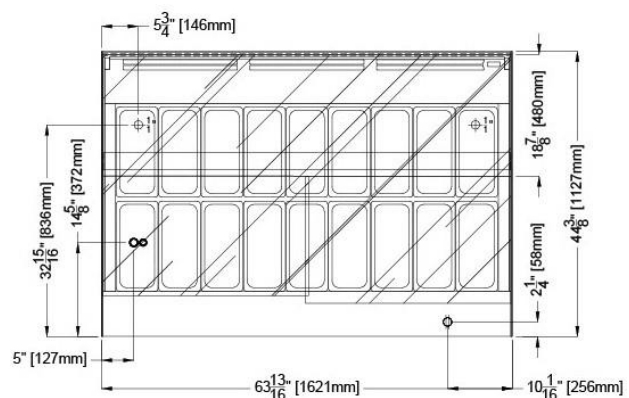
**DIAMOND 3 GELATO MODELS:** DIAMOND 3 G1110, DIAMOND 3 G1610, DIAMOND 3 G2106, DIAMOND 3 G2106 Dual Temp, DIAMOND 3 GA30, DIAMOND 3 GC30

### STANDARD: DIAMOND 1-2-3 GELATO/ICE CREAM PLAN VIEWS

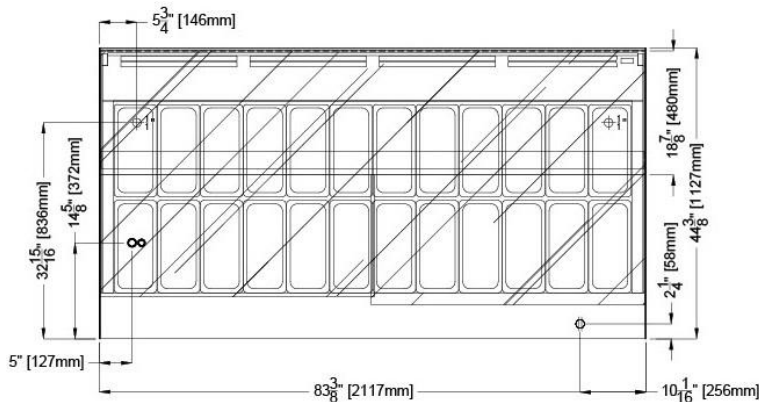
DIAMOND 1-2-3 G1110



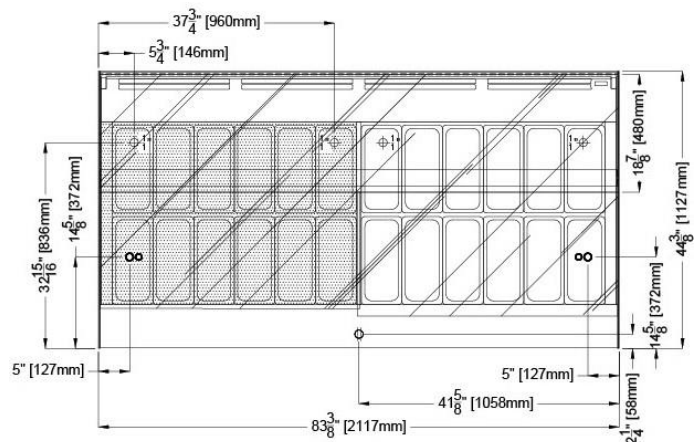
DIAMOND 1-2-3 G1610



DIAMOND 1-2-3 G2106



DIAMOND 1-2-3 G2106 DUAL TEMP



ELECTRICAL LEGEND	
∞	REFRIGERATION LINES
⊕ 1/4"	DRAIN
⊕	POWER

\*Oscartek reserves the right to change, modify, discontinue, or change any features, sizes, or capacity on any model without prior notice.

OSCARTEK®  
 512 South Airport Blvd., South San Francisco, CA 94080  
 Tel: 650.342.2400 | Fax: 650.342.7400  
 www.oscartek.com



## DIAMOND 1-2-3 GELATO/ICE CREAM

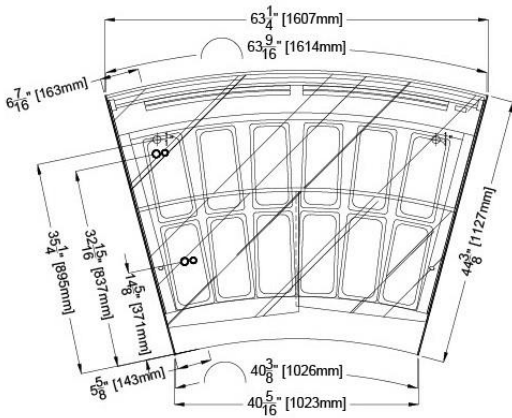
**DIAMOND 1 GELATO MODELS:** DIAMOND 1 G1110, DIAMOND 1 G1610, DIAMOND 1 G2106, DIAMOND 1 G2106 Dual Temp, DIAMOND 1 GA30, DIAMOND 1 GC30

**DIAMOND 2 GELATO MODELS:** DIAMOND 2 G1110, DIAMOND 2 G1610, DIAMOND 2 G2106, DIAMOND 2 G2106 Dual Temp, DIAMOND 2 GA30, DIAMOND 2 GC30

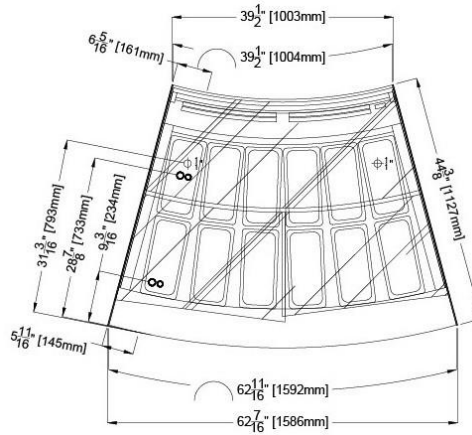
**DIAMOND 3 GELATO MODELS:** DIAMOND 3 G1110, DIAMOND 3 G1610, DIAMOND 3 G2106, DIAMOND 3 G2106 Dual Temp, DIAMOND 3 GA30, DIAMOND 3 GC30

### STANDARD: DIAMOND 1-2-3 GELATO/ICE CREAM PLAN VIEWS

DIAMOND 1-2-3 GA30

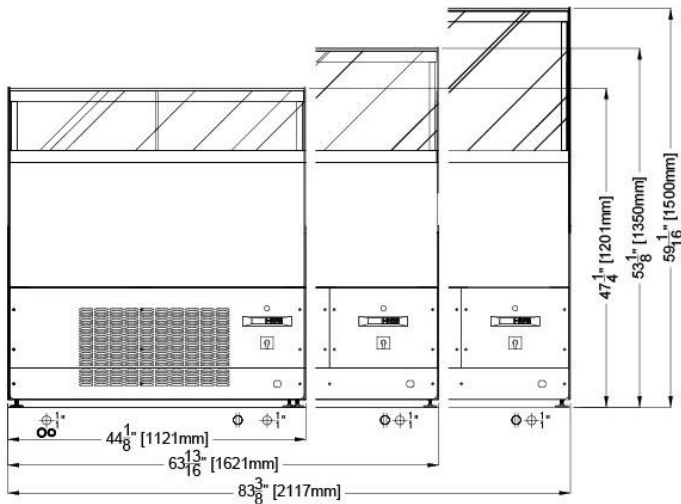


DIAMOND 1-2-3 GC30

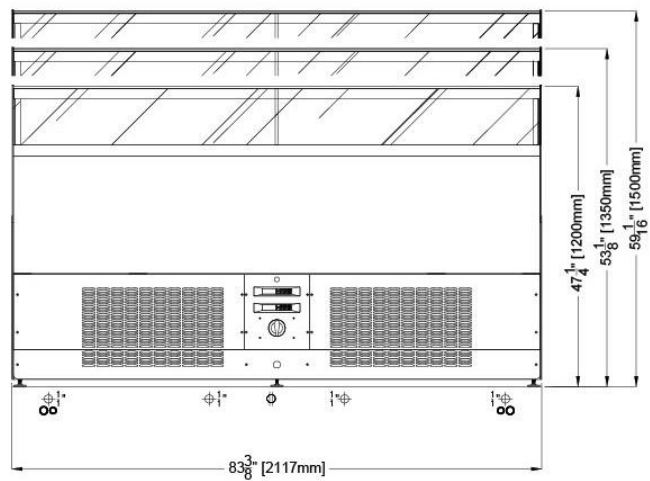


### STANDARD: DIAMOND 1-2-3 GELATO/ICE CREAM REAR ELEVATIONS (OPERATOR SIDE)

DIAMOND 1-2-3- G1110, G1610, G2106



DIAMOND 1-2-3 G2106 DUAL TEMP



\*Oscartek reserves the right to change, modify, discontinue, or change any features, sizes, or capacity on any model without prior notice.

## DIAMOND 1-2-3 GELATO/ICE CREAM

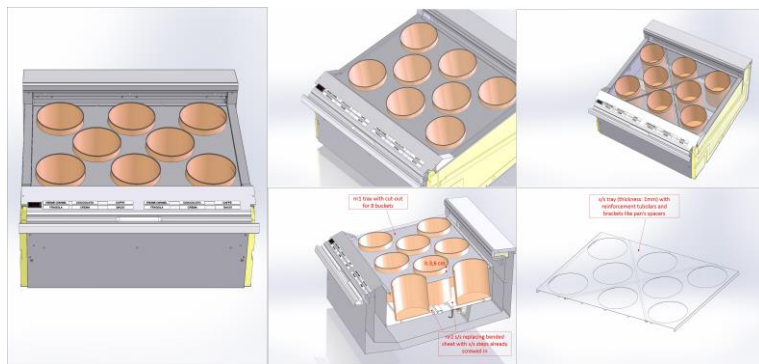
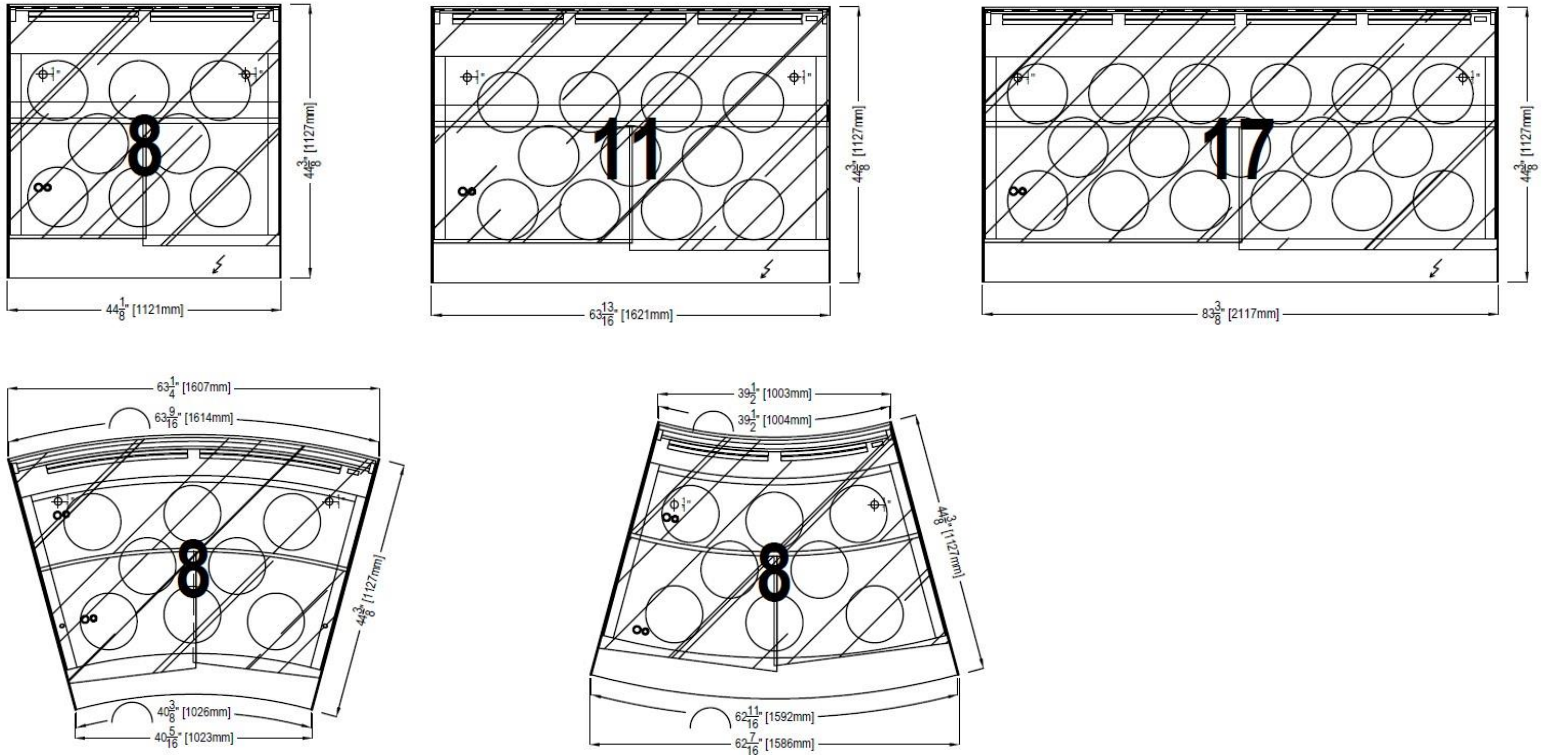
**DIAMOND 1 GELATO MODELS:** DIAMOND 1 G1110, DIAMOND 1 G1610, DIAMOND 1 G2106, DIAMOND 1 G2106 Dual Temp, DIAMOND 1 GA30, DIAMOND 1 GC30

**DIAMOND 2 GELATO MODELS:** DIAMOND 2 G1110, DIAMOND 2 G1610, DIAMOND 2 G2106, DIAMOND 2 G2106 Dual Temp, DIAMOND 2 GA30, DIAMOND 2 GC30

**DIAMOND 3 GELATO MODELS:** DIAMOND 3 G1110, DIAMOND 3 G1610, DIAMOND 3 G2106, DIAMOND 3 G2106 Dual Temp, DIAMOND 3 GA30, DIAMOND 3 GC30

### OPTIONAL DIAMOND 1-2-3 GELATO/ICE CREAM – ROUND TUBS

#### PLAN VIEWS



\*Oscartek reserves the right to change, modify, discontinue, or change any features, sizes, or capacity on any model without prior notice.

## DIAMOND 1-2-3 GELATO/ICE CREAM

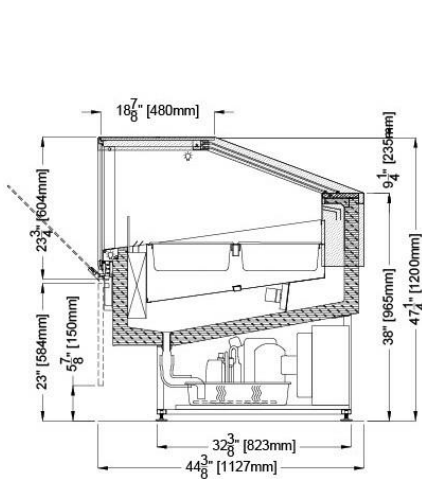
**DIAMOND 1 GELATO MODELS:** DIAMOND 1 G1110, DIAMOND 1 G1610, DIAMOND 1 G2106, DIAMOND 1 G2106 Dual Temp, DIAMOND 1 GA30, DIAMOND 1 GC30

**DIAMOND 2 GELATO MODELS:** DIAMOND 2 G1110, DIAMOND 2 G1610, DIAMOND 2 G2106, DIAMOND 2 G2106 Dual Temp, DIAMOND 2 GA30, DIAMOND 2 GC30

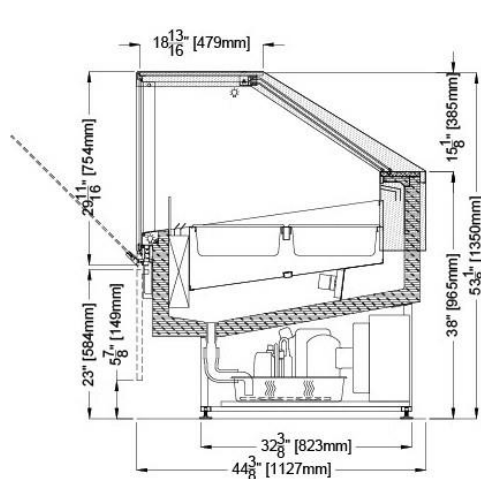
**DIAMOND 3 GELATO MODELS:** DIAMOND 3 G1110, DIAMOND 3 G1610, DIAMOND 3 G2106, DIAMOND 3 G2106 Dual Temp, DIAMOND 3 GA30, DIAMOND 3 GC30

### STANDARD: DIAMOND 1-2-3 GELATO/ICE CREAM SECTION VIEWS

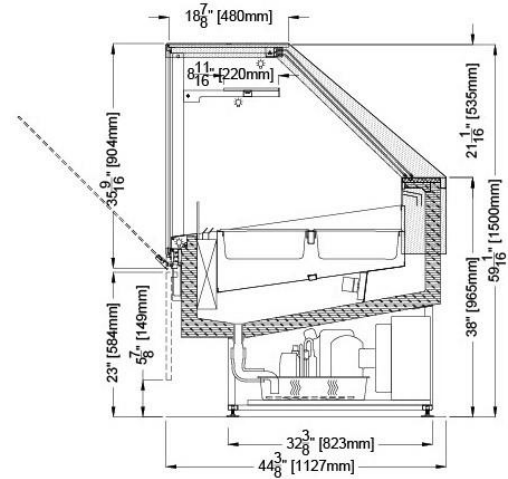
DIAMOND 1 – 47 1/4”H



DIAMOND 2 – 53 1/8”H

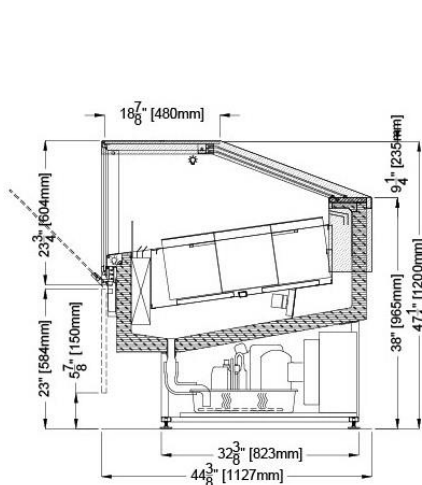


DIAMOND 3 – 59 1/8”H

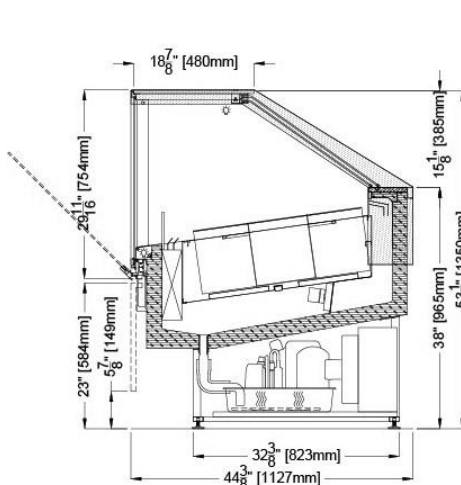


### OPTIONALS: DIAMOND 1-2-3 GELATO/ICE CREAM – ROUND TUBS SECTION VIEWS

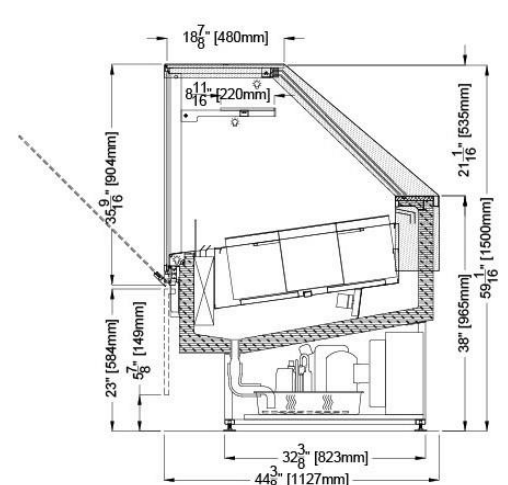
DIAMOND 1 – 47 1/4”H



DIAMOND 2 – 53 1/8”H



DIAMOND 3 – 59 1/8”H



\*Oscartek reserves the right to change, modify, discontinue, or change any features, sizes, or capacity on any model without prior notice.



Project Name: \_\_\_\_\_  
 Item #: \_\_\_\_\_ Quantity: \_\_\_\_\_

## DIAMOND 1-2-3 GELATO/ICE CREAM

**DIAMOND 1 GELATO MODELS:** DIAMOND 1 G1110, DIAMOND 1 G1610, DIAMOND 1 G2106, DIAMOND 1 G2106 Dual Temp, DIAMOND 1 GA30, DIAMOND 1 GC30

**DIAMOND 2 GELATO MODELS:** DIAMOND 2 G1110, DIAMOND 2 G1610, DIAMOND 2 G2106, DIAMOND 2 G2106 Dual Temp, DIAMOND 2 GA30, DIAMOND 2 GC30

**DIAMOND 3 GELATO MODELS:** DIAMOND 3 G1110, DIAMOND 3 G1610, DIAMOND 3 G2106, DIAMOND 3 G2106 Dual Temp, DIAMOND 3 GA30, DIAMOND 3 GC30

DIAMOND 1 GELATO/ICE CREAM						
TECHNICAL FEATURES		MODELS				
		DIAMOND 1 G1110 (DMD1GL44)	DIAMOND 1 G1610 (DMD1GL64)	DIAMOND 1 G2106 (DMD1GL83)	DIAMOND 1 GA30	DIAMOND 1 GC30
External Dimensions (L-D-H) Inches-MM	Inches MM	*44 1/8" - 44 3/8" - 47 1/4" *1121 - 1127 - 1200	*63 13/16" - 44 3/8" - 47 1/4" *1621 - 1127 - 1200	*83 3/8" - 44 3/8" - 47 1/4" *2117 - 1127 - 1200	*63 1/4" - 44 3/8" - 47 1/4" *1607 - 1127 - 1200	*62 7/16" - 44 3/8" - 47 1/4" *1590 - 1127 - 1200
Crated Dimensions (L-D-H) Inches-MM	Inches MM	52" - 52" - 53" 1320 - 1320 - 1346	70" - 52" - 53" 1778 - 1320 - 1346	90" - 52" - 53" 2286 - 1320 - 1346	70" - 52" - 53" 1778 - 1320 - 1346	70" - 52" - 53" 1778 - 1320 - 1346
5 Liter Pan Capacity** 14 3/16" x 6 1/2" x 4 3/4" (360mm x 165mm x 120mm)	Pan Configuration					
8 Liter Pan Capacity** 14 3/16" x 9 13/16" x 4 3/4" (360mm x 250mm x 120mm)	Pan Configuration					
Refrigeration	Type	Fan Ventilated	Fan Ventilated	Fan Ventilated	Fan Ventilated	Fan Ventilated
Operating Temperature	°F	-0.4°F	-0.4°F	-0.4°F	-0.4°F	-0.4°F
Compressor	Nr./Type	1 / Semi-Hermetic	1 / Semi-Hermetic	1 / Semi-Hermetic	2 / Hermetic Tandem	2 / Hermetic Tandem
Electric Supply	(V/Ph/Hz)	208-220/3/60	208-220/3/60	208-220/3/60	208-220/1/60	208-220/1/60
BTU'S @ -31°F Evap Temperature	BTU'S	2730	3900	4900	3300	3300
Power Consumption	(W/A)	1900/7.0	3000/10.5	3200/13.0	3200/15.5	3200/15.5
Defrost	Mode/Type	Reverse Cycle	Reverse Cycle	Reverse Cycle	Reverse Cycle	Reverse Cycle
Climatic Class	°F/H.R.	75°F-55%RH	75°F-55%RH	75°F-55%RH	75°F-55%RH	75°F-55%RH
Refrigerant Gas	Type	R404A / R452A	R404A / R452A	R404A / R452A	R404A / R452A	R404A / R452A
Pipe Size (Inches)	Suction, Liquid	3/4", 3/8"	7/8", 3/8"	7/8", 3/8"	7/8", 3/8"	7/8", 3/8"
Net Weights	Lb	550	700	860	680	680
Crated Weights	Lb	640	800	970	780	780
*DIMENSIONS ARE WITH STANDARD POLISHED S/S SKIN SIDES			**PANS NOT INCLUDED			

\*Oscartek reserves the right to change, modify, discontinue, or change any features, sizes, or capacity on any model without prior notice.

OSCARTEK®  
 512 South Airport Blvd., South San Francisco, CA 94080  
 Tel: 650.342.2400 | Fax: 650.342.7400  
 www.oscartek.com





Project Name: \_\_\_\_\_  
 Item #: \_\_\_\_\_ Quantity: \_\_\_\_\_

## DIAMOND 1-2-3 GELATO/ICE CREAM

**DIAMOND 1 GELATO MODELS:** DIAMOND 1 G1110, DIAMOND 1 G1610, DIAMOND 1 G2106, DIAMOND 1 G2106 Dual Temp, DIAMOND 1 GA30, DIAMOND 1 GC30

**DIAMOND 2 GELATO MODELS:** DIAMOND 2 G1110, DIAMOND 2 G1610, DIAMOND 2 G2106, DIAMOND 2 G2106 Dual Temp, DIAMOND 2 GA30, DIAMOND 2 GC30

**DIAMOND 3 GELATO MODELS:** DIAMOND 3 G1110, DIAMOND 3 G1610, DIAMOND 3 G2106, DIAMOND 3 G2106 Dual Temp, DIAMOND 3 GA30, DIAMOND 3 GC30

DIAMOND 2 GELATO/ICE CREAM						
TECHNICAL FEATURES		MODELS				
		DIAMOND 2 G1110 (DMD2GL44)	DIAMOND 2 G1610 (DMD2GL64)	DIAMOND 2 G2106 (DMD2GL83)	DIAMOND 2 GA30 (DMD2GLAP30)	DIAMOND 2 GC30 (DMD2GLCH30)
External Dimensions (L-D-H) Inches-MM	Inches MM	*44 1/8" - 44 3/8" - 53 1/8" *1121 - 1127 - 1350	*63 13/16" - 44 3/8" - 53 1/8" *1621 - 1127 - 1350	*83 3/8" - 44 3/8" - 53 1/8" *2117 - 1127 - 1350	*63 1/4" - 44 3/8" - 53 1/8" *1607 - 1127 - 1350	*62 7/16" - 44 3/8" - 53 1/8" *1590 - 1127 - 1350
Crated Dimensions (L-D-H) Inches-MM	Inches MM	52" - 52" - 61" 1320 - 1320 - 1549	70" - 52" - 61" 1778 - 1320 - 1549	90" - 52" - 61" 2286 - 1320 - 1549	70" - 52" - 61" 1778 - 1320 - 1549	70" - 52" - 61" 1778 - 1320 - 1549
5 Liter Pan Capacity** 14 3/16" x 6 1/2" x 4 3/4" (360mm x 165mm x 120mm)	Pan Configuration					
8 Liter Pan Capacity** 14 3/16" x 9 13/16" x 4 3/4" (360mm x 250mm x 120mm)	Pan Configuration					
Refrigeration	Type	Fan Ventilated	Fan Ventilated	Fan Ventilated	Fan Ventilated	Fan Ventilated
Refrigeration Display Area	Type	Deck	Deck	Deck	Deck	Deck
Operating Temperature	°F	-0.4°F	-0.4°F	-0.4°F	-0.4°F	-0.4°F
Compressor	Nr./Type	1 / Semi-Hermetic	1 / Semi-Hermetic	1 / Semi-Hermetic	1 / Hermetic Tandem	1 / Hermetic Tandem
Electric Supply	(V/Ph/Hz)	208-220/3/60	208-220/3/60	208-220/3/60	208-220/1/60	208-220/1/60
BTU'S @ -31°F Evap Temperature	BTU'S	2730	3900	4900	3300	3300
Power Consumption	(W/A)	1900/7.0	3000/10.5	3200/13.0	3200/15,5	3200/15,5
Defrost	Mode/Type	Reverse Cycle	Reverse Cycle	Reverse Cycle	Reverse Cycle	Reverse Cycle
Climatic Class	°F/H.R.	75°F-55%RH	75°F-55%RH	75°F-55%RH	75°F-55%RH	75°F-55%RH
Refrigerant Gas	Type	R404A / R452A	R404A / R452A	R404A / R452A	R404A / R452A	R404A / R452A
Pipe Size (Inches)	Suction, Liquid	3/4", 3/8"	7/8", 3/8"	7/8", 3/8"	7/8", 3/8"	7/8", 3/8"
Net Weights	Lb	560	710	870	690	690
Crated Weights	Lb	650	810	980	790	790

\*DIMENSIONS ARE WITH STANDARD POLISHED S/S SKIN SIDES

\*\*PANS NOT INCLUDED

\*Oscartek reserves the right to change, modify, discontinue, or change any features, sizes, or capacity on any model without prior notice.

OSCARTEK®  
 512 South Airport Blvd., South San Francisco, CA 94080  
 Tel: 650.342.2400 | Fax: 650.342.7400  
 www.oscartek.com





Project Name: \_\_\_\_\_  
 Item #: \_\_\_\_\_ Quantity: \_\_\_\_\_

## DIAMOND 1-2-3 GELATO/ICE CREAM

**DIAMOND 1 GELATO MODELS:** DIAMOND 1 G1110, DIAMOND 1 G1610, DIAMOND 1 G2106, DIAMOND 1 G2106 Dual Temp, DIAMOND 1 GA30, DIAMOND 1 GC30

**DIAMOND 2 GELATO MODELS:** DIAMOND 2 G1110, DIAMOND 2 G1610, DIAMOND 2 G2106, DIAMOND 2 G2106 Dual Temp, DIAMOND 2 GA30, DIAMOND 2 GC30

**DIAMOND 3 GELATO MODELS:** DIAMOND 3 G1110, DIAMOND 3 G1610, DIAMOND 3 G2106, DIAMOND 3 G2106 Dual Temp, DIAMOND 3 GA30, DIAMOND 3 GC30

DIAMOND 3 GELATO/ICE CREAM						
TECHNICAL FEATURES		MODELS				
		DIAMOND 3 G1110 (DMD3GL44)	DIAMOND 3 G1610 (DMD3GL64)	DIAMOND 3 G2106 (DMD3GL83)	DIAMOND 3 GA30 (DMD3GLAP30)	DIAMOND 3 GC30 (DMD3GLCH30)
External Dimensions (L-D-H) Inches-MM	Inches MM	*44 1/8" - 44 3/8" - 59 1/16" *1121 - 1127 - 1500	*63 13/16" - 44 3/8" - 59 1/16" *1621 - 1127 - 1500	*83 3/8" - 44 3/8" - 59 1/16" *2117 - 1127 - 1500	*63 1/4" - 44 3/8" - 59 1/16" *1607 - 1127 - 1500	*62 7/16" - 44 3/8" - 59 1/16" *1590 - 1127 - 1500
Crated Dimensions (L-D-H) Inches-MM	Inches MM	52" - 52" - 67" 1320 - 1320 - 1701	70" - 52" - 67" 1778 - 1320 - 1701	90" - 52" - 67" 2286 - 1320 - 1701	70" - 52" - 67" 1778 - 1320 - 1701	70" - 52" - 67" 1168 - 1320 - 1701
5 Liter Pan Capacity** 14 3/16" x 6 1/2" x 4 3/4" (360mm x 165mm x 120mm)	Pan Configuration					
8 Liter Pan Capacity** 14 3/16" x 9 13/16" x 4 3/4" (360mm x 250mm x 120mm)	Pan Configuration					
Refrigeration	Type	Fan Ventilated	Fan Ventilated	Fan Ventilated	Fan Ventilated	Fan Ventilated
Refrigeration Display Area	Type	Deck	Deck	Deck	Deck	Deck
Operating Temperature	°F	-0.4°F	-0.4°F	-0.4°F	-0.4°F	-0.4°F
Compressor	Nr./Type	1 / Semi-Hermetic	1 / Semi-Hermetic	1 / Semi-Hermetic	1 / Hermetic Tandem	1 / Hermetic Tandem
Electric Supply	(V/Ph/Hz)	208-220/3/60	208-220/3/60	208-220/3/60	208-220/1/60	208-220/1/60
BTU'S @ -31°F Evap Temperature	BTU'S	2730	3900	4900	3300	3300
Power Consumption	(W/A)	1950/7.3	3100/11.0	3300/13.9	3300/15.9	3300/15.9
Defrost	Mode/Type	Reverse Cycle	Reverse Cycle	Reverse Cycle	Reverse Cycle	Reverse Cycle
Climatic Class	°F/H.R.	75°F-55%RH	75°F-55%RH	75°F-55%RH	75°F-55%RH	75°F-55%RH
Refrigerant Gas	Type	R404A / R452A	R404A / R452A	R404A / R452A	R404A / R452A	R404A / R452A
Pipe Size (Inches)	Suction, Liquid	3/4", 3/8"	7/8", 3/8"	7/8", 3/8"	7/8", 3/8"	7/8", 3/8"
Net Weights	Lb	570	720	880	700	700
Crated Weights	Lb	660	820	990	800	800

\*DIMENSIONS ARE WITH STANDARD POLISHED S/S SKIN SIDES

\*\*PANS NOT INCLUDED

\*Oscartek reserves the right to change, modify, discontinue, or change any features, sizes, or capacity on any model without prior notice.

OSCARTEK®  
 512 South Airport Blvd., South San Francisco, CA 94080  
 Tel: 650.342.2400 | Fax: 650.342.7400  
 www.oscartek.com





Discover the Art of Display...

Project Name: \_\_\_\_\_  
Item #: \_\_\_\_\_ Quantity: \_\_\_\_\_

### STANDARD FEATURES

- Available in 3 heights: 47”H, 53”H, and 59”H
- Chrome finishing
- Diamond 1 Linear Models: Refrigerated deck + shelf. Heated front, top, and side glasses
- Diamond 1 DPA30 & DPC30 Models: Refrigerated deck only. Non-refrigerated shelf. Heated front and side glasses
- Diamond 2 All Models: Refrigerated deck + lower shelf. Top shelf non-refrigerated. Heated front and side glasses
- Diamond 3 All Models: Refrigerated deck + lower shelf. Top (2) shelves non-refrigerated. Heated front and side glasses
- Diffused LED lighting 3000°K
- Electric control board
- Electric defrost
- Front glass with safety tilt down opening system
- Pyrolytic anti-fog front and side glass
- Cases ship standard unfinished front and stainless steel skin sides

### OPTIONS

- Remote condensing unit
- Work top (brushed s/s, corian, granite)
- Stainless steel step shelf
- Epoxy RAL color interior and exterior over stainless steel
- RAL color/custom plastic wood laminate exterior front and sides
- Pastry with drawer(s)
- Unfinished panels to accept millwork by others
- Condensate heated pan
- Casters



Visit our website for more finishing options and RAL colors  
[www.oscartek.com](http://www.oscartek.com)

# DIAMOND 1-2-3

## Deli/Pastry Showcase

**DIAMOND 1 DELI/PASTRY MODELS:** DIAMOND 1 DP1110, DIAMOND 1 DP1610, DIAMOND 1 DP2106, DIAMOND 1 DPA30, DIAMOND 1 DPC30

**DIAMOND 2 DELI/PASTRY MODELS:** DIAMOND 2 DP1110, DIAMOND 2 DP1610, DIAMOND 2 DP2106, DIAMOND 2 DPA30, DIAMOND 2 DPC30

**DIAMOND 3 DELI/PASTRY MODELS:** DIAMOND 3 DP1110, DIAMOND 3 DP1610, DIAMOND 3 DP2106, DIAMOND 3 DPA30, DIAMOND 3 DPC30



Diamond 2 Deli/Pastry with custom wood laminate front finish



Diamond 2 Deli/Pastry DPA30 (30°) with custom gold front finish

\*Oscartek reserves the right to change, modify, discontinue, or change any features, sizes, or capacity on any model without prior notice.

OSCARTEK®  
512 South Airport Blvd., South San Francisco, CA 94080  
Tel: 650.342.2400 | Fax: 650.342.7400  
[www.oscartek.com](http://www.oscartek.com)



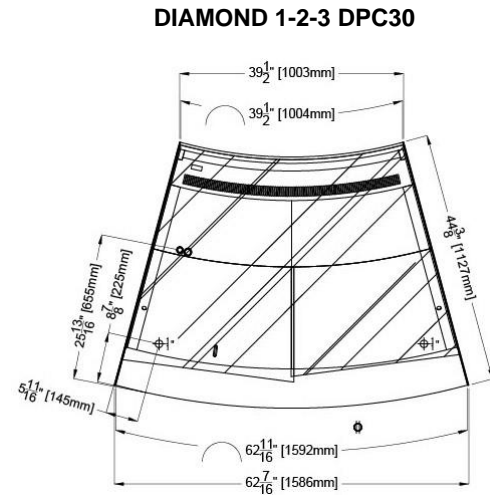
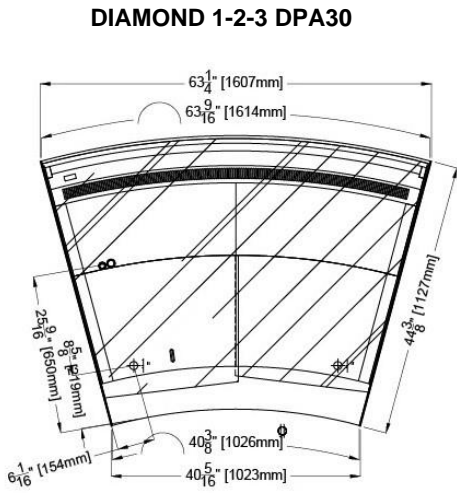
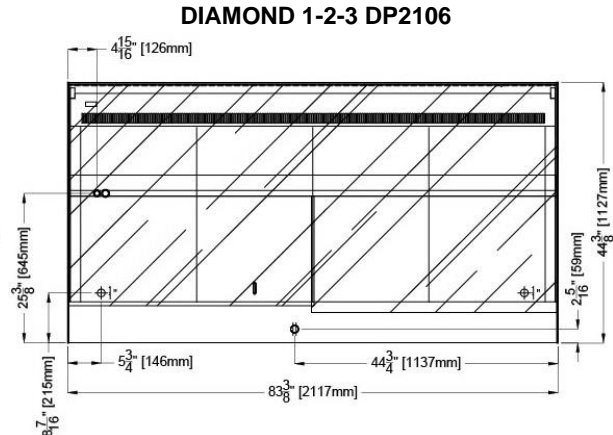
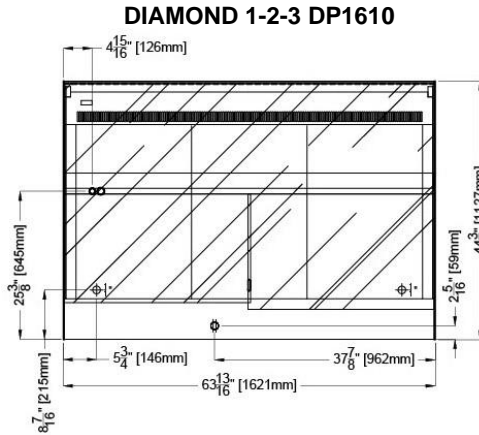
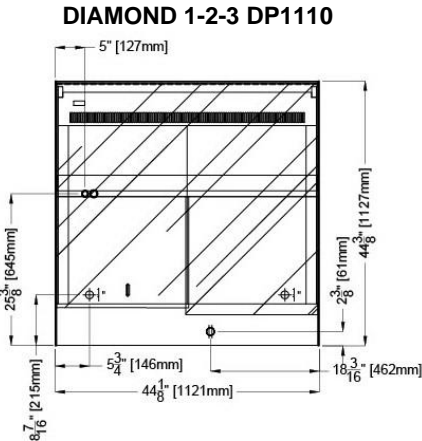
## DIAMOND 1-2-3 DELI/PASTRY


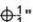

**DIAMOND 1 DELI/PASTRY MODELS:** DIAMOND 1 DP1110, DIAMOND 1 DP1610, DIAMOND 1 DP2106, DIAMOND 1 DPA30, DIAMOND 1 DPC30

**DIAMOND 2 DELI/PASTRY MODELS:** DIAMOND 2 DP1110, DIAMOND 2 DP1610, DIAMOND 2 DP2106, DIAMOND 2 DPA30, DIAMOND 2 DPC30

**DIAMOND 3 DELI/PASTRY MODELS:** DIAMOND 3 DP1110, DIAMOND 3 DP1610, DIAMOND 3 DP2106, DIAMOND 3 DPA30, DIAMOND 3 DPC30

### STANDARD: DIAMOND 1-2-3 DELI/PASTRY PLAN VIEWS



ELECTRICAL LEGEND	
	REFRIGERATION LINES
	DRAIN
	POWER

\*Oscartek reserves the right to change, modify, discontinue, or change any features, sizes, or capacity on any model without prior notice.

## DIAMOND 1-2-3 DELI/PASTRY

**DIAMOND 1 DELI/PASRTY MODELS:** DIAMOND 1 DP1110, DIAMOND 1 DP1610, DIAMOND 1 DP2106, DIAMOND 1 DPA30, DIAMOND 1 DPC30

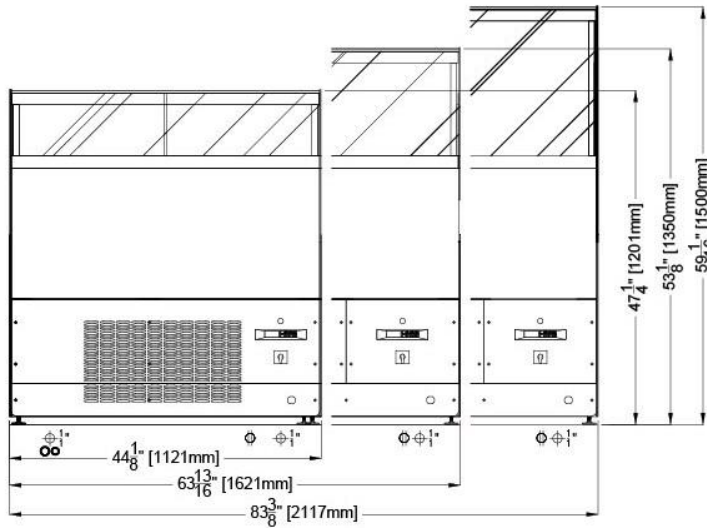
**DIAMOND 2 DELI/PASTRY MODELS:** DIAMOND 2 DP1110, DIAMOND 2 DP1610, DIAMOND 2 DP2106, DIAMOND 2 DPA30, DIAMOND 2 DPC30

**DIAMOND 3 DELI/PASTRY MODELS:** DIAMOND 3 DP1110, DIAMOND 3 DP1610, DIAMOND 3 DP2106, DIAMOND 3 DPA30, DIAMOND 3 DPC30

### STANDARD: DIAMOND 1-2-3 DELI/PASTRY

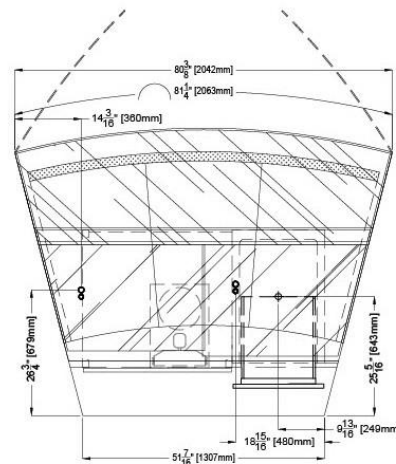
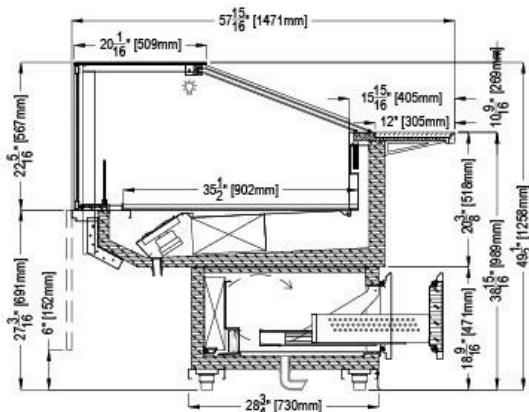
#### REAR ELEVATIONS (OPERATOR SIDE)

DIAMOND 1-2-3 DP1110, DP1610, DP2106



### OPTIONAL: CUSTOM DIAMOND A30 WITH COLD STORAGE DRAWER

#### SECTION & PLAN VIEW



\*Oscartek reserves the right to change, modify, discontinue, or change any features, sizes, or capacity on any model without prior notice.

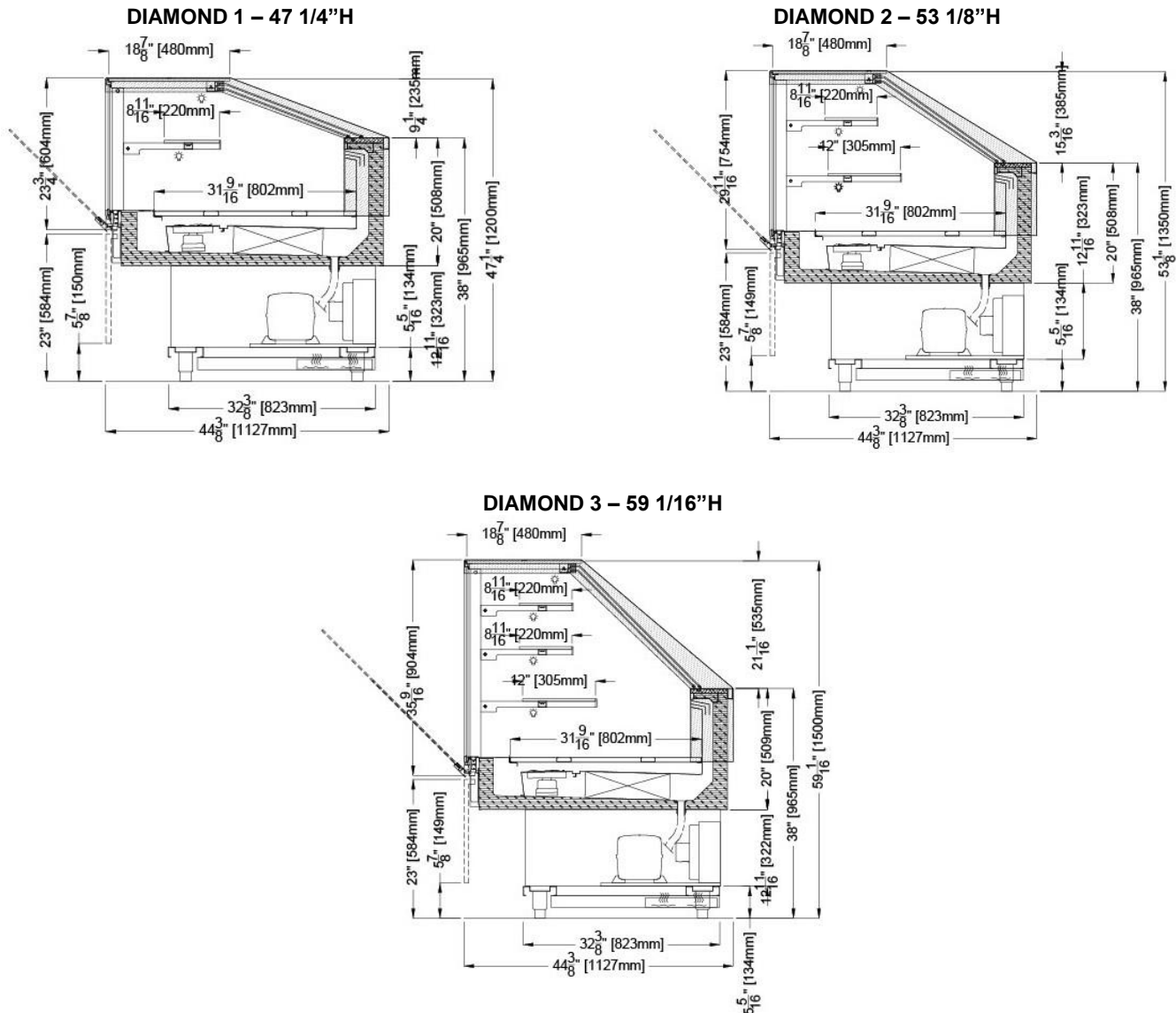
## DIAMOND 1-2-3 DELI/PASTRY

**DIAMOND 1 DELI/PASTRY MODELS:** DIAMOND 1 DP1110, DIAMOND 1 DP1610, DIAMOND 1 DP2106, DIAMOND 1 DPA30, DIAMOND 1 DPC30

**DIAMOND 2 DELI/PASTRY MODELS:** DIAMOND 2 DP1110, DIAMOND 2 DP1610, DIAMOND 2 DP2106, DIAMOND 2 DPA30, DIAMOND 2 DPC30

**DIAMOND 3 DELI/PASTRY MODELS:** DIAMOND 3 DP1110, DIAMOND 3 DP1610, DIAMOND 3 DP2106, DIAMOND 3 DPA30, DIAMOND 3 DPC30

### STANDARD: DIAMOND 1-2-3 DELI/PASTRY SECTION VIEWS



\*Oscartek reserves the right to change, modify, discontinue, or change any features, sizes, or capacity on any model without prior notice.

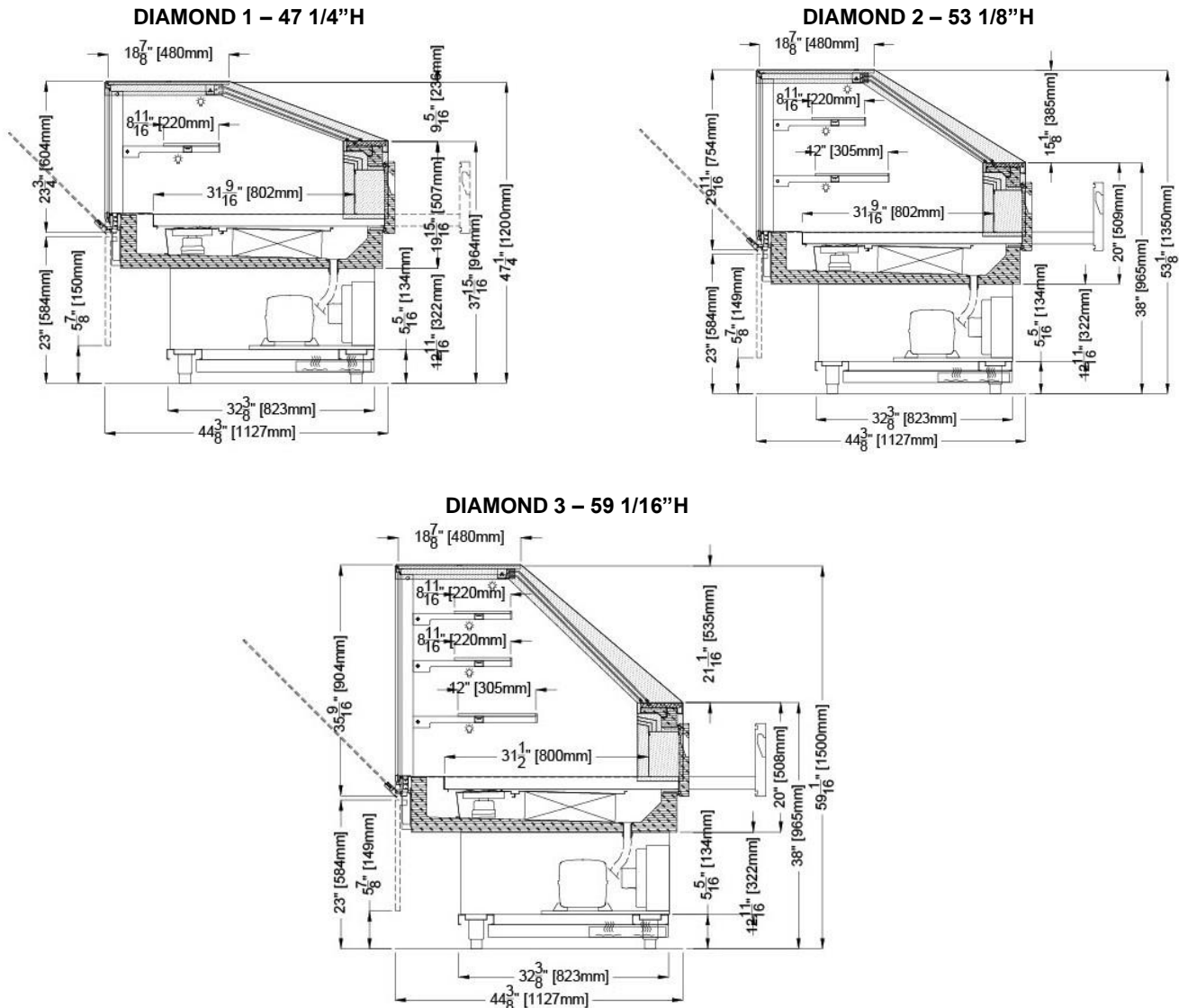
## DIAMOND 1-2-3 DELI/PASTRY

**DIAMOND 1 DELI/PASTRY MODELS:** DIAMOND 1 DP1110, DIAMOND 1 DP1610, DIAMOND 1 DP2106, DIAMOND 1 DPA30, DIAMOND 1 DPC30

**DIAMOND 2 DELI/PASTRY MODELS:** DIAMOND 2 DP1110, DIAMOND 2 DP1610, DIAMOND 2 DP2106, DIAMOND 2 DPA30, DIAMOND 2 DPC30

**DIAMOND 3 DELI/PASTRY MODELS:** DIAMOND 3 DP1110, DIAMOND 3 DP1610, DIAMOND 3 DP2106, DIAMOND 3 DPA30, DIAMOND 3 DPC30

### OPTIONAL: DIAMOND 1-2-3 DELI/PASTRY WITH DRAWERS SECTION VIEWS



\*Oscartek reserves the right to change, modify, discontinue, or change any features, sizes, or capacity on any model without prior notice.



Project Name: \_\_\_\_\_  
 Item #: \_\_\_\_\_ Quantity: \_\_\_\_\_

## DIAMOND 1-2-3 DELI/PASTRY

**DIAMOND 1 DELI/PASRTY MODELS:** DIAMOND 1 DP1110, DIAMOND 1 DP1610, DIAMOND 1 DP2106, DIAMOND 1 DPA30, DIAMOND 1 DPC30

**DIAMOND 2 DELI/PASTRY MODELS:** DIAMOND 2 DP1110, DIAMOND 2 DP1610, DIAMOND 2 DP2106, DIAMOND 2 DPA30, DIAMOND 2 DPC30

**DIAMOND 3 DELI/PASTRY MODELS:** DIAMOND 3 DP1110, DIAMOND 3 DP1610, DIAMOND 3 DP2106, DIAMOND 3 DPA30, DIAMOND 3 DPC30

DIAMOND 1 DELI/PASTRY						
TECHNICAL FEATURES		MODELS				
		DIAMOND 1 DP1110 (DMD1DP44)	DIAMOND 1 DP1610 (DMD1DP64)	DIAMOND 1 DP2106 (DMD1DP83)	DIAMOND 1 DPA30 (DMD1DPAP30)	DIAMOND 1 DPC30 (DMD1DPCH30)
External Dimensions (L-D-H) Inches-MM	Inches MM	*44 1/8" - 44 3/8" - 47 1/4" *1121 - 1127 - 1200	*63 13/16" - 44 3/8" - 47 1/4" *1621 - 1127 - 1200	*83 3/8" - 44 3/8" - 47 1/4" *2117 - 1127 - 1200	*63 1/4" - 44 3/8" - 47 1/4" *1607 - 1127 - 1200	*62 7/16" - 44 3/8" - 47 1/4" *1590 - 1127 - 1200
Crated Dimensions (L-D-H) Inches-MM	Inches MM	52" - 52" - 53" 1320 - 1320 - 1346	70" - 52" - 53" 1778 - 1320 - 1346	90" - 52" - 53" 2286 - 1320 - 1346	70" - 52" - 53" 1778 - 1320 - 1346	70" - 52" - 53" 1778 - 1320 - 1346
Refrigeration	Type	Fan Ventilated	Fan Ventilated	Fan Ventilated	Fan Ventilated	Fan Ventilated
Refrigeration Display Area	Type	Deck + Shelf	Deck + Shelf	Deck + Shelf	Deck Only	Deck Only
Operating Temperature	°F	39.2°F	39.2°F	39.2°F	39.2°F	39.2°F
Compressor	Nr./Type	1 / Hermetic	1 / Hermetic	1 / Hermetic	1 / Hermetic	1 / Hermetic
Electric Supply	(V/Ph/Hz)	120/1/60	120/1/60	120/1/60	120/1/60	120/1/60
BTU'S @ +10°F Evap Temperature	BTU'S	3000	4100	4800	4000	4000
Power Consumption	(W/A)	1350/12,9	1450/13,7	1550/14,8	1400/13,5	1400/13,5
Defrost	Mode/Type	Electric	Electric	Electric	Electric	Electric
Climatic Class	*F/H.R.	75°F-55%RH	75°F-55%RH	75°F-55%RH	75°F-55%RH	75°F-55%RH
Refrigerant Gas	Type	R404A / R452A	R404A / R452A	R404A / R452A	R404A / R452A	R404A / R452A
Pipe Size (Inches)	Suction, Liquid	1/2", 1/4"	5/8", 5/16"	5/8", 5/16"	5/8", 5/16"	5/8", 5/16"
Net Weights	Lb	440	640	720	600	600
Crated Weights	Lb	530	740	830	700	700

\*DIMENSIONS ARE WITH STANDARD POLISHED S/S SKIN SIDES

DIAMOND 2 DELI/PASTRY						
TECHNICAL FEATURES		MODELS				
		DIAMOND 2 DP1110 (DMD2DP44)	DIAMOND 2 DP1610 (DMD2DP64)	DIAMOND 2 DP2106 (DMD2DP83)	DIAMOND 2 DPA30 (DMD2DPAP30)	DIAMOND 2 DPC30 (DMD2DPCH30)
External Dimensions (L-D-H) Inches-MM	Inches MM	*44 1/8" - 44 3/8" - 53 1/8" *1121 - 1127 - 1350	*63 13/16" - 44 3/8" - 53 1/8" *1621 - 1127 - 1350	*83 3/8" - 44 3/8" - 53 1/8" *2117 - 1127 - 1350	*63 1/4" - 44 3/8" - 53 1/8" *1607 - 1127 - 1350	*62 7/16" - 44 3/8" - 53 1/8" *1590 - 1127 - 1350
Crated Dimensions (L-D-H) Inches-MM	Inches MM	52" - 52" - 61" 1320 - 1320 - 1549	70" - 52" - 61" 1778 - 1320 - 1549	90" - 52" - 61" 2286 - 1320 - 1549	70" - 52" - 61" 1778 - 1320 - 1549	70" - 52" - 61" 1778 - 1320 - 1549
Refrigeration	Type	Fan Ventilated	Fan Ventilated	Fan Ventilated	Fan Ventilated	Fan Ventilated
Refrigeration Display Area	Type	Deck + Lower Shelf	Deck + Lower Shelf	Deck + Lower Shelf	Deck + Lower Shelf	Deck + Lower Shelf
Operating Temperature	°F	39.2°F	39.2°F	39.2°F	39.2°F	39.2°F
Compressor	Nr./Type	1 / Hermetic	1 / Hermetic	1 / Hermetic	1 / Hermetic	1 / Hermetic
Electric Supply	(V/Ph/Hz)	120/1/60	120/1/60	120/1/60	120/1/60	120/1/60
BTU'S @ +10°F Evap Temperature	BTU'S	3000	4100	4800	4000	4000
Power Consumption	(W/A)	1350/12,9	1450/13,7	1550/14,8	1400/13,5	1400/13,5
Defrost	Mode/Type	Electric	Electric	Electric	Electric	Electric
Climatic Class	*F/H.R.	75°F-55%RH	75°F-55%RH	75°F-55%RH	75°F-55%RH	75°F-55%RH
Refrigerant Gas	Type	R404A / R452A	R404A / R452A	R404A / R452A	R404A / R452A	R404A / R452A
Pipe Size (Inches)	Suction, Liquid	1/2", 1/4"	5/8", 5/16"	5/8", 5/16"	5/8", 5/16"	5/8", 5/16"
Net Weights	Lb	450	650	730	610	610
Crated Weights	Lb	540	750	840	710	710

\*DIMENSIONS ARE WITH STANDARD POLISHED S/S SKIN SIDES

\*Oscartek reserves the right to change, modify, discontinue, or change any features, sizes, or capacity on any model without prior notice.

OSCARTEK®  
 512 South Airport Blvd., South San Francisco, CA 94080  
 Tel: 650.342.2400 | Fax: 650.342.7400  
 www.oscartek.com





Project Name: \_\_\_\_\_  
 Item #: \_\_\_\_\_ Quantity: \_\_\_\_\_

## DIAMOND 1-2-3 DELI/PASTRY

**DIAMOND 1 DELI/PASRTY MODELS:** DIAMOND 1 DP1110, DIAMOND 1 DP1610, DIAMOND 1 DP2106, DIAMOND 1 DPA30, DIAMOND 1 DPC30

**DIAMOND 2 DELI/PASTRY MODELS:** DIAMOND 2 DP1110, DIAMOND 2 DP1610, DIAMOND 2 DP2106, DIAMOND 2 DPA30, DIAMOND 2 DPC30

**DIAMOND 3 DELI/PASTRY MODELS:** DIAMOND 3 DP1110, DIAMOND 3 DP1610, DIAMOND 3 DP2106, DIAMOND 3 DPA30, DIAMOND 3 DPC30

DIAMOND 3 DELI/PASTRY						
TECHNICAL FEATURES		MODELS				
		DIAMOND 3 DP1110 (DMD3DP44)	DIAMOND 3 DP1610 (DMD3DP64)	DIAMOND 3 DP2106 (DMD3DP83)	DIAMOND 3 DPA30 (DMD3DPAP30)	DIAMOND 3 DPC30 (DMD3DPCH30)
External Dimensions (L-D-H) Inches-MM	Inches MM	*44 1/8" - 44 3/8" - 59 1/16" *1121 - 1127 - 1500	*63 13/16" - 44 3/8" - 59 1/16" *1621 - 1127 - 1500	*83 3/8" - 44 3/8" - 59 1/16" *2117 - 1127 - 1500	*63 1/4" - 44 3/8" - 59 1/16" *1607 - 1127 - 1500	*62 7/16" - 44 3/8" - 59 1/16" *1590 - 1127 - 1500
Crated Dimensions (L-D-H) Inches-MM	Inches MM	52" - 52" - 67" 1320 - 1320 - 1701	70" - 52" - 67" 1778 - 1320 - 1701	90" - 52" - 67" 2286 - 1320 - 1701	70" - 52" - 67" 1778 - 1320 - 1701	70" - 52" - 67" 1168 - 1320 - 1701
Refrigeration	Type	Fan Ventilated	Fan Ventilated	Fan Ventilated	Fan Ventilated	Fan Ventilated
Refrigeration Display Area	Type	Deck + Lower Shelf	Deck + Lower Shelf	Deck + Lower Shelf	Deck + Lower Shelf	Deck + Lower Shelf
Operating Temperature	°F	39.2°F	39.2°F	39.2°F	39.2°F	39.2°F
Compressor	Nr./Type	1 / Hermetic	1 / Hermetic	1 / Hermetic	1 / Hermetic	1 / Hermetic
Electric Supply	(V/Ph/Hz)	120/1/60	120/1/60	120/1/60	120/1/60	120/1/60
BTU'S @ +10°F Evap Temperature	BTU'S	3000	4100	4800	4000	4000
Power Consumption	(W/A)	1390/13,0	1550/14,8	1650/15,8	1550/14,8	1550/14,8
Defrost	Mode/Type	Electric	Electric	Electric	Electric	Electric
Climatic Class	°F/H.R.	75°F-55%RH	75°F-55%RH	75°F-55%RH	75°F-55%RH	75°F-55%RH
Refrigerant Gas	Type	R404A / R452A	R404A / R452A	R404A / R452A	R404A / R452A	R404A / R452A
Pipe Size (Inches)	Suction, Liquid	1/2", 1/4"	5/8", 5/16"	5/8", 5/16"	5/8", 5/16"	5/8", 5/16"
Net Weights	Lb	460	660	740	620	620
Crated Weights	Lb	550	760	850	720	720

\*DIMENSIONS ARE WITH STANDARD POLISHED S/S SKIN SIDES

\*Oscartek reserves the right to change, modify, discontinue, or change any features, sizes, or capacity on any model without prior notice.

OSCARTEK®  
 512 South Airport Blvd., South San Francisco, CA 94080  
 Tel: 650.342.2400 | Fax: 650.342.7400  
 www.oscartek.com





Discover the Art of Display...

Project Name: \_\_\_\_\_

Item #: \_\_\_\_\_ Quantity: \_\_\_\_\_

### STANDARD FEATURES

- Available in 3 heights: 47”H, 53”H, and 59”H
- Humidity control
- Chrome finishing
- Diamond 1 All Models: Refrigerated deck + shelf. Low heated front glass.
- Diamond 2 All Models: Refrigerated deck + lower shelf. Top shelf non-refrigerated. Low heated front glass.
- Diamond 3 All Models: Refrigerated deck + lower shelf. Top (2) shelves non-refrigerated. Low heated front glass.
- Diffused LED lighting 3000°K
- Electric control board
- Electric defrost
- Front glass with safety tilt down opening system
- Pyrolytic anti-fog front and side glass
- Cases ship standard unfinished front and stainless steel skin sides

### OPTIONS

- Remote condensing unit
- Work top (brushed s/s, corian, granite)
- Stainless steel step shelf
- Epoxy RAL color interior and exterior over stainless steel
- RAL color/custom plastic wood laminate exterior front and sides
- Unfinished panels to accept millwork by others
- Condensate heated pan
- Casters

# DIAMOND 1-2-3

## Chocolate Showcase

**DIAMOND 1 CHOCOLATE MODELS:** DIAMOND 1 C1110, DIAMOND 1 C1610, DIAMOND 1 C2106, DIAMOND 1 CA30, DIAMOND 1 CC30

**DIAMOND 2 CHOCOLATE MODELS:** DIAMOND 2 C1110, DIAMOND 2 C1610, DIAMOND 2 C2106, DIAMOND 2 CA30, DIAMOND 2 CC30

**DIAMOND 3 CHOCOLATE MODELS:** DIAMOND 3 C1110, DIAMOND 3 C1610, DIAMOND 3 C2106, DIAMOND 3 CA30, DIAMOND 3 CC30



Diamond 2 Chocolate 30° cases with optional front RAL color finish



Visit our website for more finishing options and RAL colors  
[www.oscartek.com](http://www.oscartek.com)

\*Oscartek reserves the right to change, modify, discontinue, or change any features, sizes, or capacity on any model without prior notice.

OSCARTEK®  
512 South Airport Blvd., South San Francisco, CA 94080  
Tel: 650.342.2400 | Fax: 650.342.7400  
www.oscartek.com



## DIAMOND 1-2-3 CHOCOLATE

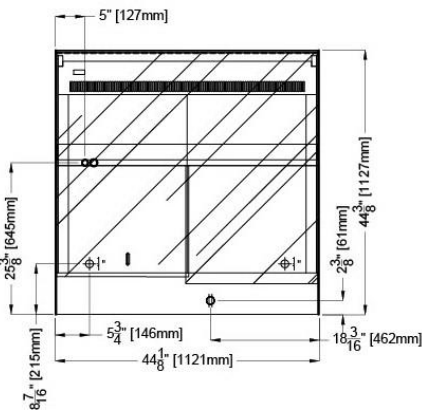
**DIAMOND 1 CHOCOLATE MODELS:** DIAMOND 1 C1110, DIAMOND 1 C1610, DIAMOND 1 C2106, DIAMOND 1 CA30, DIAMOND 1 CC30

**DIAMOND 2 CHOCOLATE MODELS:** DIAMOND 2 C1110, DIAMOND 2 C1610, DIAMOND 2 C2106, DIAMOND 2 CA30, DIAMOND 2 CC30

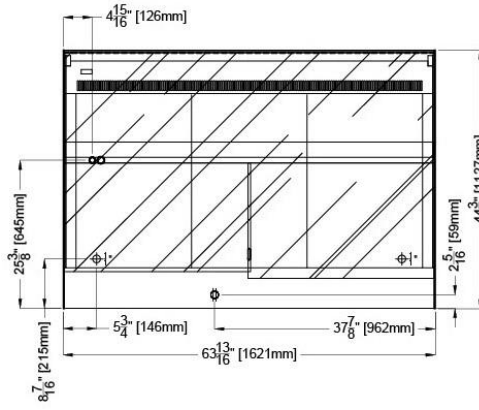
**DIAMOND 3 CHOCOLATE MODELS:** DIAMOND 3 C1110, DIAMOND 3 C1610, DIAMOND 3 C2106, DIAMOND 3 CA30, DIAMOND 3 CC30

### STANDARD: DIAMOND 1-2-3 CHOCOLATE PLAN VIEWS

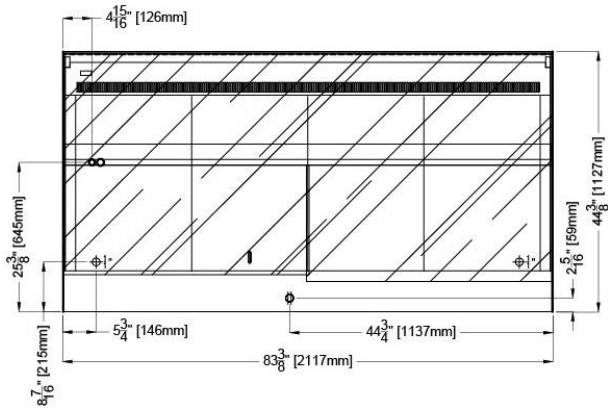
**DIAMOND 1-2-3 C1110**



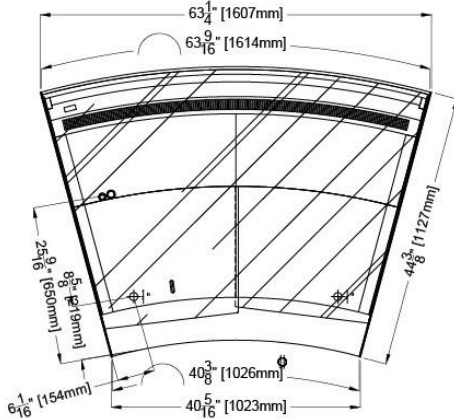
**DIAMOND 1-2-3 C1610**



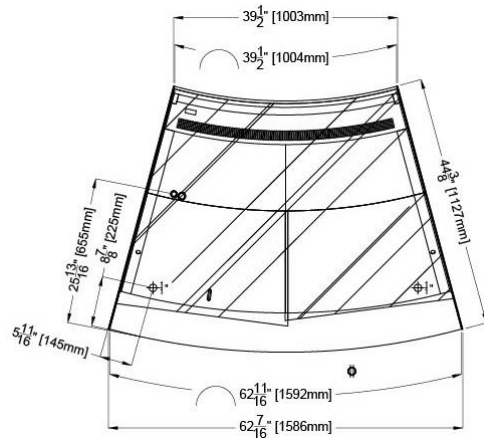
**DIAMOND 1-2-3 C2106**




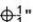

**DIAMOND 1-2-3 CA30**



**DIAMOND 1-2-3 CC30**



**ELECTRICAL LEGEND**

	REFRIGERATION LINES
	DRAIN
	POWER

\*Oscartek reserves the right to change, modify, discontinue, or change any features, sizes, or capacity on any model without prior notice.

## DIAMOND 1-2-3 CHOCOLATE

**DIAMOND 1 CHOCOLATE MODELS:** DIAMOND 1 C1110, DIAMOND 1 C1610, DIAMOND 1 C2106, DIAMOND 1 CA30, DIAMOND 1 CC30

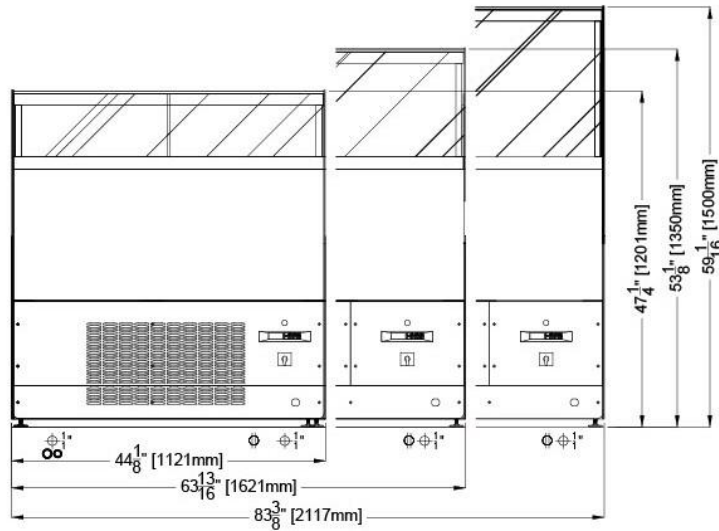
**DIAMOND 2 CHOCOLATE MODELS:** DIAMOND 2 C1110, DIAMOND 2 C1610, DIAMOND 2 C2106, DIAMOND 2 CA30, DIAMOND 2 CC30

**DIAMOND 3 CHOCOLATE MODELS:** DIAMOND 3 C1110, DIAMOND 3 C1610, DIAMOND 3 C2106, DIAMOND 3 CA30, DIAMOND 3 CC30

### STANDARD: DIAMOND 1-2-3 CHOCOLATE

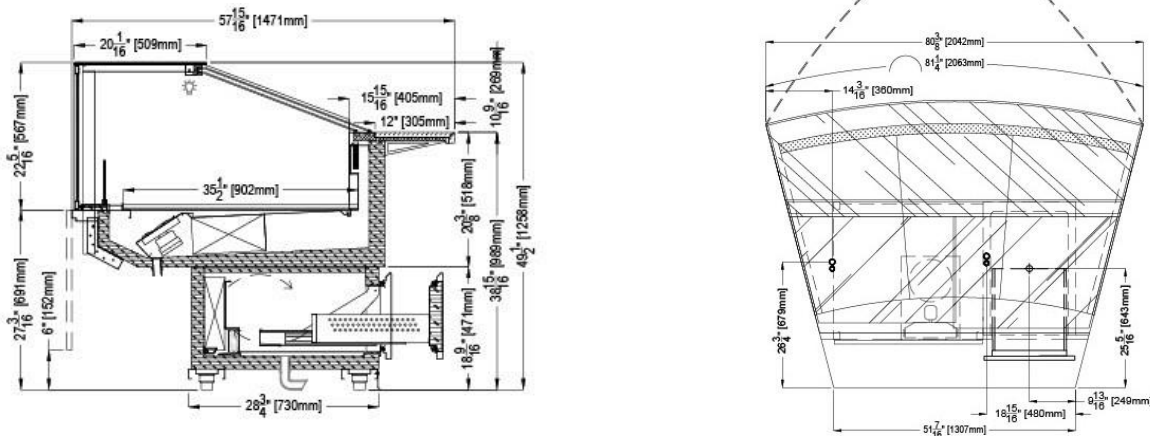
#### REAR ELEVATIONS (OPERATOR SIDE)

DIAMOND 1-2-3 C1110, C1610, C2106



### OPTIONAL: CUSTOM DIAMOND CA30 WITH COLD STORAGE DRAWER

#### SECTION & PLAN VIEWS



\*Oscartek reserves the right to change, modify, discontinue, or change any features, sizes, or capacity on any model without prior notice.

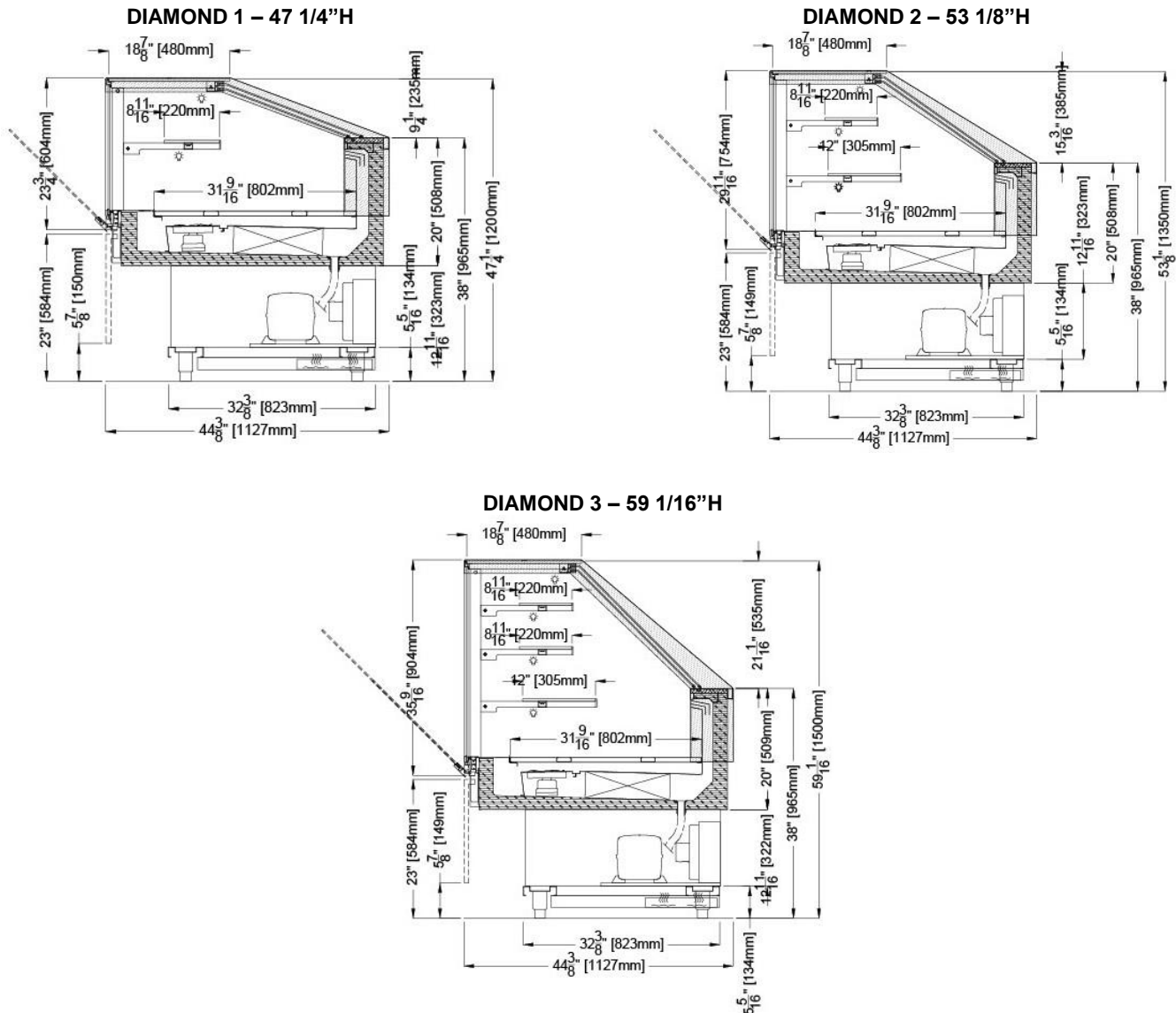
## DIAMOND 1-2-3 CHOCOLATE

**DIAMOND 1 CHOCOLATE MODELS:** DIAMOND 1 C1110, DIAMOND 1 C1610, DIAMOND 1 C2106, DIAMOND 1 CA30, DIAMOND 1 CC30

**DIAMOND 2 CHOCOLATE MODELS:** DIAMOND 2 C1110, DIAMOND 2 C1610, DIAMOND 2 C2106, DIAMOND 2 CA30, DIAMOND 2 CC30

**DIAMOND 3 CHOCOLATE MODELS:** DIAMOND 3 C1110, DIAMOND 3 C1610, DIAMOND 3 C2106, DIAMOND 3 CA30, DIAMOND 3 CC30

### STANDARD: DIAMOND 1-2-3 CHOCOLATE SECTION VIEWS



\*Oscartek reserves the right to change, modify, discontinue, or change any features, sizes, or capacity on any model without prior notice.



Project Name: \_\_\_\_\_  
 Item #: \_\_\_\_\_ Quantity: \_\_\_\_\_

## DIAMOND 1-2-3 CHOCOLATE

**DIAMOND 1 CHOCOLATE MODELS:** DIAMOND 1 C1110, DIAMOND 1 C1610, DIAMOND 1 C2106, DIAMOND 1 CA30, DIAMOND 1 CC30

**DIAMOND 2 CHOCOLATE MODELS:** DIAMOND 2 C1110, DIAMOND 2 C1610, DIAMOND 2 C2106, DIAMOND 2 CA30, DIAMOND 2 CC30

**DIAMOND 3 CHOCOLATE MODELS:** DIAMOND 3 C1110, DIAMOND 3 C1610, DIAMOND 3 C2106, DIAMOND 3 CA30, DIAMOND 3 CC30

DIAMOND 1 CHOCOLATE						
TECHNICAL FEATURES		MODELS				
		DIAMOND 1 C1110	DIAMOND 1 C1610	DIAMOND 1 C2106	DIAMOND 1 CA30	DIAMOND 1 CC30
External Dimensions (L-D-H) Inches-MM	Inches MM	*44 1/8" - 44 3/8" - 47 1/4" *1121 - 1127 - 1200	*63 13/16" - 44 3/8" - 47 1/4" *1621 - 1127 - 1200	*83 3/8" - 44 3/8" - 47 1/4" *2117 - 1127 - 1200	*63 1/4" - 44 3/8" - 47 1/4" *1607 - 1127 - 1200	*62 7/16" - 44 3/8" - 47 1/4" *1590 - 1127 - 1200
Crated Dimensions (L-D-H) Inches-MM	Inches MM	52" - 52" - 53" 1320 - 1320 - 1346	70" - 52" - 53" 1778 - 1320 - 1346	90" - 52" - 53" 2286 - 1320 - 1346	70" - 52" - 53" 1778 - 1320 - 1346	70" - 52" - 53" 1778 - 1320 - 1346
Humidity Control	Type	35-70%	35-70%	35-70%	35-70%	35-70%
Refrigeration Display Area	Type	Deck + Shelf	Deck + Shelf	Deck + Shelf	Deck + Shelf	Deck + Shelf
Operating Temperature	°F	58°F	58°F	58°F	58°F	58°F
Compressor	Nr./Type	1 / Hermetic	1 / Hermetic	1 / Hermetic	1 / Hermetic	1 / Hermetic
Electric Supply	(V/Ph/Hz)	208-220/1/60	208-220/1/60	208-220/1/60	208-220/1/60	208-220/1/60
BTU'S @ +28°F Evap Temperature	BTU'S	3350	4500	5300	4500	4500
Power Consumption	(W/A)	1390/6,9	1700/8,5	2100/11,5	1700/8,5	1700/8,5
Defrost	Mode/Type	Electric	Electric	Electric	Electric	Electric
Climatic Class	°F/H.R.	75°F-55%RH	75°F-55%RH	75°F-55%RH	75°F-55%RH	75°F-55%RH
Refrigerant Gas	Type	R452A	R452A	R452A	R452A	R452A
Pipe Size (Inches)	Suction, Liquid	1/2", 1/4"	1/2", 1/4"	5/8", 5/16"	1/2", 1/4"	1/2", 1/4"
Net Weights	Lb	440	640	720	600	600
Crated Weights	Lb	530	740	830	700	700

\*DIMENSIONS ARE WITH STANDARD POLISHED S/S SKIN SIDES

DIAMOND 2 CHOCOLATE						
TECHNICAL FEATURES		MODELS				
		DIAMOND 2 C1110	DIAMOND 2 C1610	DIAMOND 2 C2106	DIAMOND 2 CA30	DIAMOND 2 CC30
External Dimensions (L-D-H) Inches-MM	Inches MM	*44 1/8" - 44 3/8" - 53 1/8" *1121 - 1127 - 1350	*63 13/16" - 44 3/8" - 53 1/8" *1621 - 1127 - 1350	*83 3/8" - 44 3/8" - 53 1/8" *2117 - 1127 - 1350	*63 1/4" - 44 3/8" - 53 1/8" *1607 - 1127 - 1350	*62 7/16" - 44 3/8" - 53 1/8" *1590 - 1127 - 1350
Crated Dimensions (L-D-H) Inches-MM	Inches MM	52" - 52" - 61" 1320 - 1320 - 1549	70" - 52" - 61" 1778 - 1320 - 1549	90" - 52" - 61" 2286 - 1320 - 1549	70" - 52" - 61" 1778 - 1320 - 1549	70" - 52" - 61" 1778 - 1320 - 1549
Humidity Control	Type	35-70%	35-70%	35-70%	35-70%	35-70%
Refrigeration Display Area	Type	Deck + Lower Shelf	Deck + Lower Shelf	Deck + Lower Shelf	Deck + Lower Shelf	Deck + Lower Shelf
Operating Temperature	°C / °F	14°C / 58°F	14°C / 58°F	14°C / 58°F	14°C / 58°F	14°C / 58°F
Compressor	Nr./Type	1 / Hermetic	1 / Hermetic	1 / Hermetic	1 / Hermetic	1 / Hermetic
Electric Supply	(V/Ph/Hz)	208-220/1/60	208-220/1/60	208-220/1/60	208-220/1/60	208-220/1/60
BTU'S @ +28°F Evap Temperature	BTU'S	3350	4500	5300	4500	4500
Power Consumption	(W/A)	1390/6,9	1700/8,5	2100/11,5	1700/8,5	1700/8,5
Defrost	Mode/Type	Electric	Electric	Electric	Electric	Electric
Climatic Class	°F/H.R.	75°F-55%RH	75°F-55%RH	75°F-55%RH	75°F-55%RH	75°F-55%RH
Refrigerant Gas	Type	R452A	R452A	R452A	R452A	R452A
Pipe Size (Inches)	Suction, Liquid	1/2", 1/4"	1/2", 1/4"	5/8", 5/16"	1/2", 1/4"	1/2", 1/4"
Net Weights	Lb	450	650	730	610	610
Crated Weights	Lb	540	750	840	710	710

\*DIMENSIONS ARE WITH STANDARD POLISHED S/S SKIN SIDES

\*Oscartek reserves the right to change, modify, discontinue, or change any features, sizes, or capacity on any model without prior notice.

OSCARTEK®  
 512 South Airport Blvd., South San Francisco, CA 94080  
 Tel: 650.342.2400 | Fax: 650.342.7400  
 www.oscartek.com





Project Name: \_\_\_\_\_  
 Item #: \_\_\_\_\_ Quantity: \_\_\_\_\_

## DIAMOND 1-2-3 CHOCOLATE

**DIAMOND 1 CHOCOLATE MODELS:** DIAMOND 1 C1110, DIAMOND 1 C1610, DIAMOND 1 C2106, DIAMOND 1 CA30, DIAMOND 1 CC30

**DIAMOND 2 CHOCOLATE MODELS:** DIAMOND 2 C1110, DIAMOND 2 C1610, DIAMOND 2 C2106, DIAMOND 2 CA30, DIAMOND 2 CC30

**DIAMOND 3 CHOCOLATE MODELS:** DIAMOND 3 C1110, DIAMOND 3 C1610, DIAMOND 3 C2106, DIAMOND 3 CA30, DIAMOND 3 CC30

DIAMOND 3 CHOCOLATE						
TECHNICAL FEATURES		MODELS				
		DIAMOND 3 C1110	DIAMOND 3 C1610	DIAMOND 3 C2106	DIAMOND 3 CA30	DIAMOND 3 CC30
External Dimensions (L-D-H) Inches-MM	Inches MM	*44 1/8" - 44 3/8" - 59 1/16" *1121 - 1127 - 1500	*63 13/16" - 44 3/8" - 59 1/16" *1621 - 1127 - 1500	*83 3/8" - 44 3/8" - 59 1/16" *2117 - 1127 - 1500	*63 1/4" - 44 3/8" - 59 1/16" *1607 - 1127 - 1500	*62 7/16" - 44 3/8" - 59 1/16" *1590 - 1127 - 1500
Crated Dimensions (L-D-H) Inches-MM	Inches MM	52" - 52" - 67" 1320 - 1320 - 1701	70" - 52" - 67" 1778 - 1320 - 1701	90" - 52" - 67" 2286 - 1320 - 1701	70" - 52" - 67" 1778 - 1320 - 1701	70" - 52" - 67" 1168 - 1320 - 1701
Humidity Control	Type	35-70%	35-70%	35-70%	35-70%	35-70%
Refrigeration Display Area	Type	Deck + Lower Shelf	Deck + Lower Shelf	Deck + Lower Shelf	Deck + Lower Shelf	Deck + Lower Shelf
Operating Temperature	°F	58°F	58°F	58°F	58°F	58°F
Compressor	Nr./Type	1 / Hermetic	1 / Hermetic	1 / Hermetic	1 / Hermetic	1 / Hermetic
Electric Supply	(V/Ph/Hz)	208-220/1/60	208-220/1/60	208-220/1/60	208-220/1/60	208-220/1/60
BTU'S @ +28°F Evap Temperature	BTU'S	3350	4500	5300	4500	4500
Power Consumption	(W/A)	1400/7,0	1800/8,9	2200/12,5	1750/8,9	1750/8,9
Defrost	Mode/Type	Electric	Electric	Electric	Electric	Electric
Climatic Class	°F/H.R.	75°F-55%RH	75°F-55%RH	75°F-55%RH	75°F-55%RH	75°F-55%RH
Refrigerant Gas	Type	R452A	R452A	R452A	R452A	R452A
Pipe Size (Inches)	Suction, Liquid	1/2", 1/4"	1/2", 1/4"	5/8", 5/16"	1/2", 1/4"	1/2", 1/4"
Net Weights	Lb	450	650	730	610	610
Crated Weights	Lb	540	750	840	710	710

\*DIMENSIONS ARE WITH STANDARD POLISHED S/S SKIN SIDES

\*Oscartek reserves the right to change, modify, discontinue, or change any features, sizes, or capacity on any model without prior notice.

OSCARTEK®  
 512 South Airport Blvd., South San Francisco, CA 94080  
 Tel: 650.342.2400 | Fax: 650.342.7400  
 www.oscartek.com





Project Name: \_\_\_\_\_  
Item #: \_\_\_\_\_ Quantity: \_\_\_\_\_



Diamond 1 Hot CS-Dry Hot Plate with optional stainless steel front finish



Visit our website for more finishing options and RAL colors  
[www.oscartek.com](http://www.oscartek.com)

# DIAMOND 1-2-3

## Hot Showcase

- DIAMOND 1 CS-DRY MODELS:** DIAMOND 1 CS1110, DIAMOND 1 CS1610, DIAMOND 1 CS2106
- DIAMOND 1 CBM-BAIN MARIE MODELS:** DIAMOND 1 CBM1110, DIAMOND 1 CBM1610, DIAMOND 1 CBM2106
- DIAMOND 2 CS-DRY MODELS:** DIAMOND 2 CS1110, DIAMOND 2 CS1610, DIAMOND 2 CS2106
- DIAMOND 2 CBM-BAIN MARIE MODELS:** DIAMOND 2 CBM1110, DIAMOND 2 CBM1610, DIAMOND 2 CBM2106
- DIAMOND 3 CS-DRY MODELS:** DIAMOND 3 CS1110, DIAMOND 3 CS1610, DIAMOND 3 CS2106
- DIAMOND 3 CBM-BAIN MARIE MODELS:** DIAMOND 3 CBM1110, DIAMOND 3 CBM1610, DIAMOND 3 CBM2106

### STANDARD FEATURES

- Available in 3 heights: 47”H, 53”H, and 59”H
- Chrome finishing
- Heat lamp
- Front glass with safety tilt down opening system
- CS: Dry warm top on stainless steel basin
- CBM: Hot well food warmer
- Pyrolytic anti-fog front and side glass
- Cases ship standard unfinished

### OPTIONS

- Work top (brushed s/s, corian, granite)
- Epoxy RAL color interior and exterior over stainless steel
- RAL color/custom plastic wood laminate front and side
- Unfinished panels to accept millwork by others
- Casters

\*Oscartek reserves the right to change, modify, discontinue, or change any features, sizes, or capacity on any model without prior notice.

OSCARTEK®  
512 South Airport Blvd., South San Francisco, CA 94080  
Tel: 650.342.2400 | Fax: 650.342.7400  
[www.oscartek.com](http://www.oscartek.com)



## DIAMOND 1-2-3 HOT

**DIAMOND 1 CS-DRY MODELS:** DIAMOND 1 CS1110, DIAMOND 1 CS1610, DIAMOND 1 CS2106

**DIAMOND 1 CBM-BAIN MARIE MODELS:** DIAMOND 1 CBM1110, DIAMOND 1 CBM1610, DIAMOND 1 CBM2106

**DIAMOND 2 CS-DRY MODELS:** DIAMOND 2 CS1110, DIAMOND 2 CS1610, DIAMOND 2 CS2106

**DIAMOND 2 CBM-BAIN MARIE MODELS:** DIAMOND 2 CBM1110, DIAMOND 2 CBM1610, DIAMOND 2 CBM2106

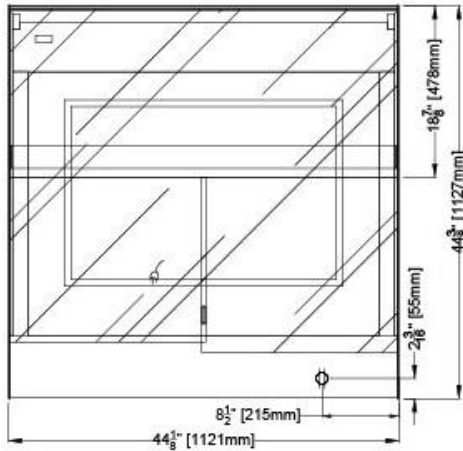
**DIAMOND 3 CS-DRY MODELS:** DIAMOND 3 CS1110, DIAMOND 3 CS1610, DIAMOND 3 CS2106

**DIAMOND 3 CBM-BAIN MARIE MODELS:** DIAMOND 3 CBM1110, DIAMOND 3 CBM1610, DIAMOND 3 CBM2106

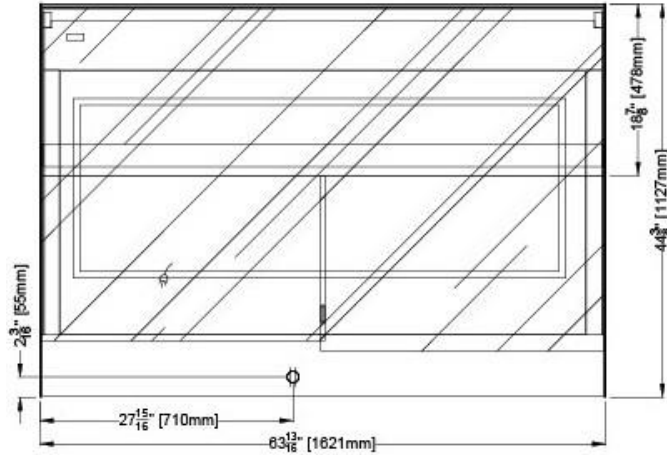
### STANDARD: DIAMOND 1-2-3 HOT CS-DRY

#### PLAN VIEWS

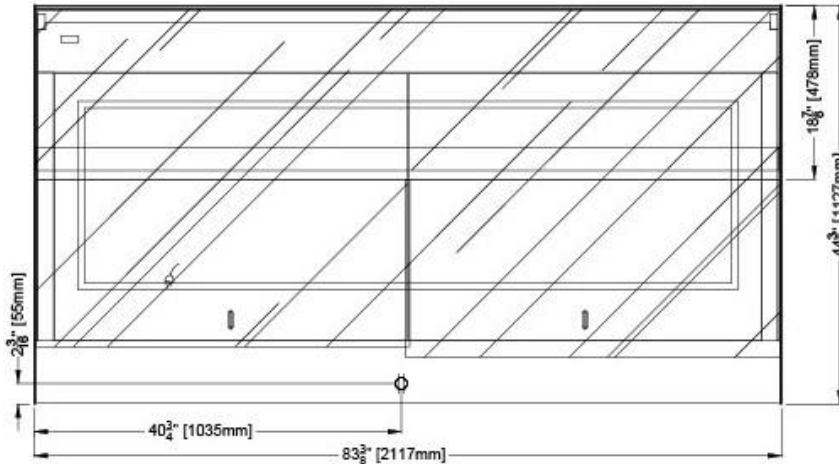
DIAMOND 1-2-3 CS1110



DIAMOND 1-2-3 CS1610



DIAMOND 1-2-3 CS2106



#### ELECTRICAL LEGEND



POWER

\*Oscartek reserves the right to change, modify, discontinue, or change any features, sizes, or capacity on any model without prior notice.

## DIAMOND 1-2-3 HOT

**DIAMOND 1 CS-DRY MODELS:** DIAMOND 1 CS1110, DIAMOND 1 CS1610, DIAMOND 1 CS2106

**DIAMOND 1 CBM-BAIN MARIE MODELS:** DIAMOND 1 CBM1110, DIAMOND 1 CBM1610, DIAMOND 1 CBM2106

**DIAMOND 2 CS-DRY MODELS:** DIAMOND 2 CS1110, DIAMOND 2 CS1610, DIAMOND 2 CS2106

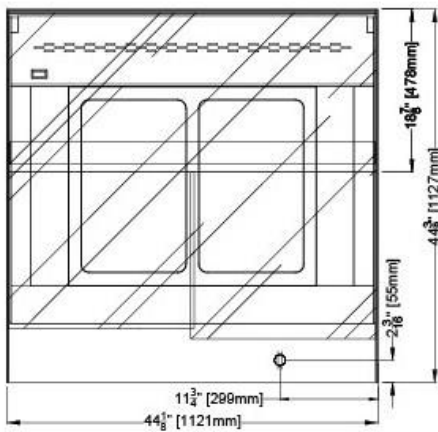
**DIAMOND 2 CBM-BAIN MARIE MODELS:** DIAMOND 2 CBM1110, DIAMOND 2 CBM1610, DIAMOND 2 CBM2106

**DIAMOND 3 CS-DRY MODELS:** DIAMOND 3 CS1110, DIAMOND 3 CS1610, DIAMOND 3 CS2106

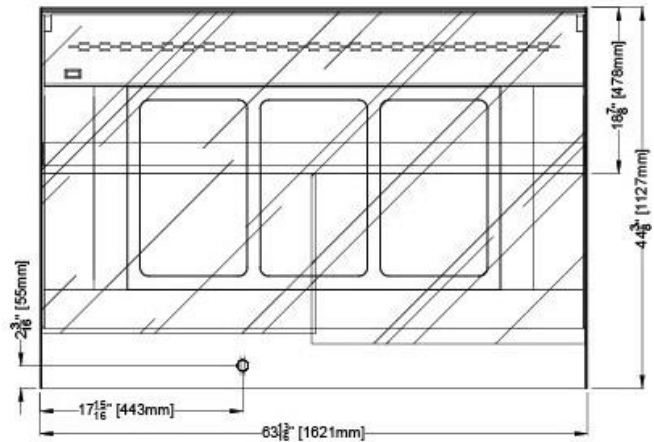
**DIAMOND 3 CBM-BAIN MARIE MODELS:** DIAMOND 3 CBM1110, DIAMOND 3 CBM1610, DIAMOND 3 CBM2106

### STANDARD: DIAMOND 1-2-3 HOT CBM-BAIN MARIE PLAN VIEWS

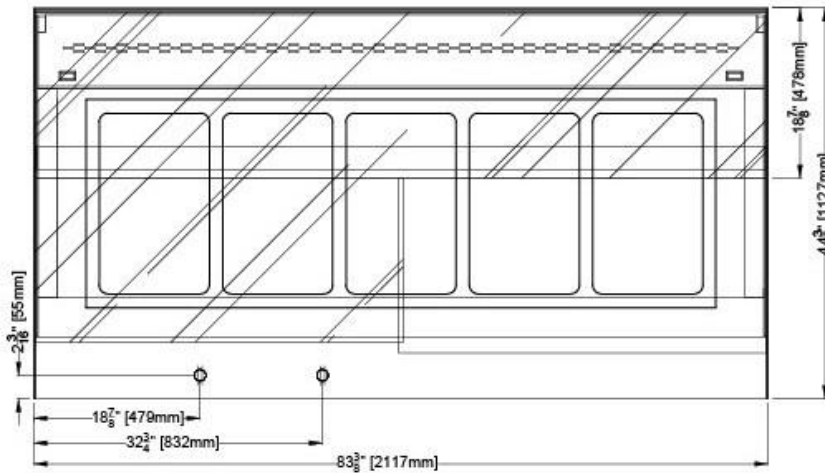
**DIAMOND 1-2-3 CBM1110**



**DIAMOND 1-2-3 CBM1610**



**DIAMOND 1-2-3 CS2106**



#### ELECTRICAL LEGEND

$\phi$  POWER

\*Oscartek reserves the right to change, modify, discontinue, or change any features, sizes, or capacity on any model without prior notice.

## DIAMOND 1-2-3 HOT

**DIAMOND 1 CS-DRY MODELS:** DIAMOND 1 CS1110, DIAMOND 1 CS1610, DIAMOND 1 CS2106

**DIAMOND 1 CBM-BAIN MARIE MODELS:** DIAMOND 1 CBM1110, DIAMOND 1 CBM1610, DIAMOND 1 CBM2106

**DIAMOND 2 CS-DRY MODELS:** DIAMOND 2 CS1110, DIAMOND 2 CS1610, DIAMOND 2 CS2106

**DIAMOND 2 CBM-BAIN MARIE MODELS:** DIAMOND 2 CBM1110, DIAMOND 2 CBM1610, DIAMOND 2 CBM2106

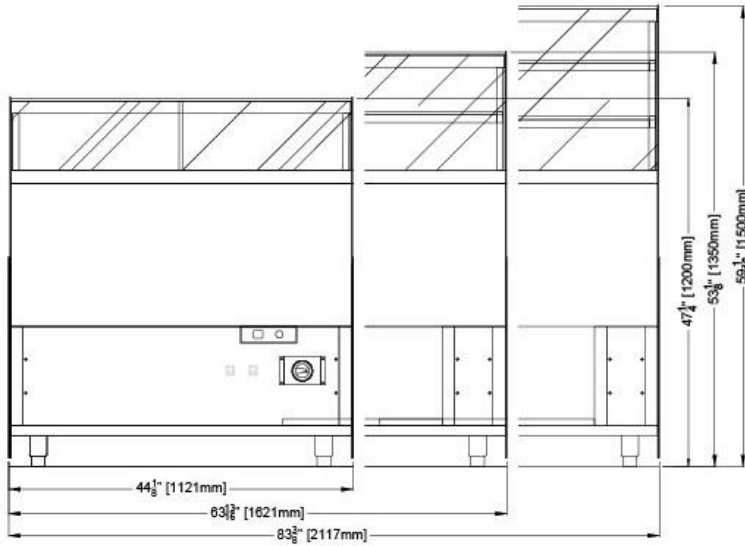
**DIAMOND 3 CS-DRY MODELS:** DIAMOND 3 CS1110, DIAMOND 3 CS1610, DIAMOND 3 CS2106

**DIAMOND 3 CBM-BAIN MARIE MODELS:** DIAMOND 3 CBM1110, DIAMOND 3 CBM1610, DIAMOND 3 CBM2106

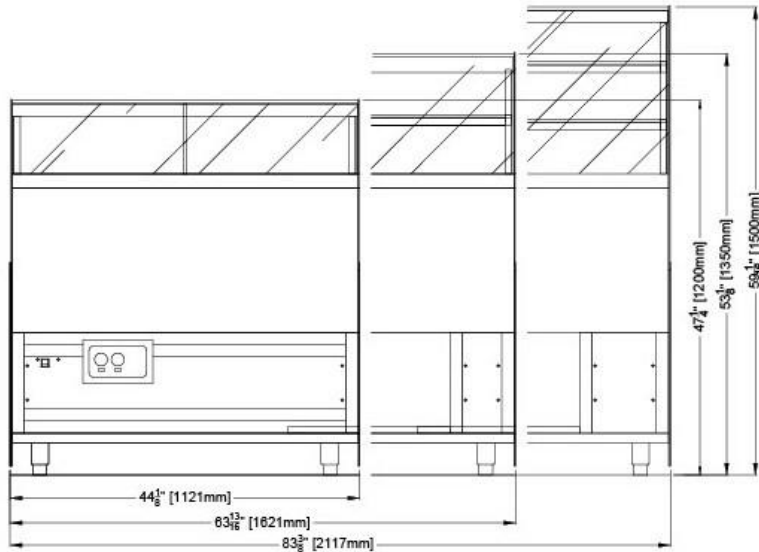
### STANDARD: DIAMOND 1-2-3 HOT CS-DRY

#### REAR ELEVATIONS (OPERATOR SIDE)

**DIAMOND 1-2-3 CS1110, CS1610, CS2106**



**DIAMOND 1-2-3 CBM1110, CBM1610, CBM2106**



\*Oscartek reserves the right to change, modify, discontinue, or change any features, sizes, or capacity on any model without prior notice.

## DIAMOND 1-2-3 HOT

**DIAMOND 1 CS-DRY MODELS:** DIAMOND 1 CS1110, DIAMOND 1 CS1610, DIAMOND 1 CS2106

**DIAMOND 1 CBM-BAIN MARIE MODELS:** DIAMOND 1 CBM1110, DIAMOND 1 CBM1610, DIAMOND 1 CBM2106

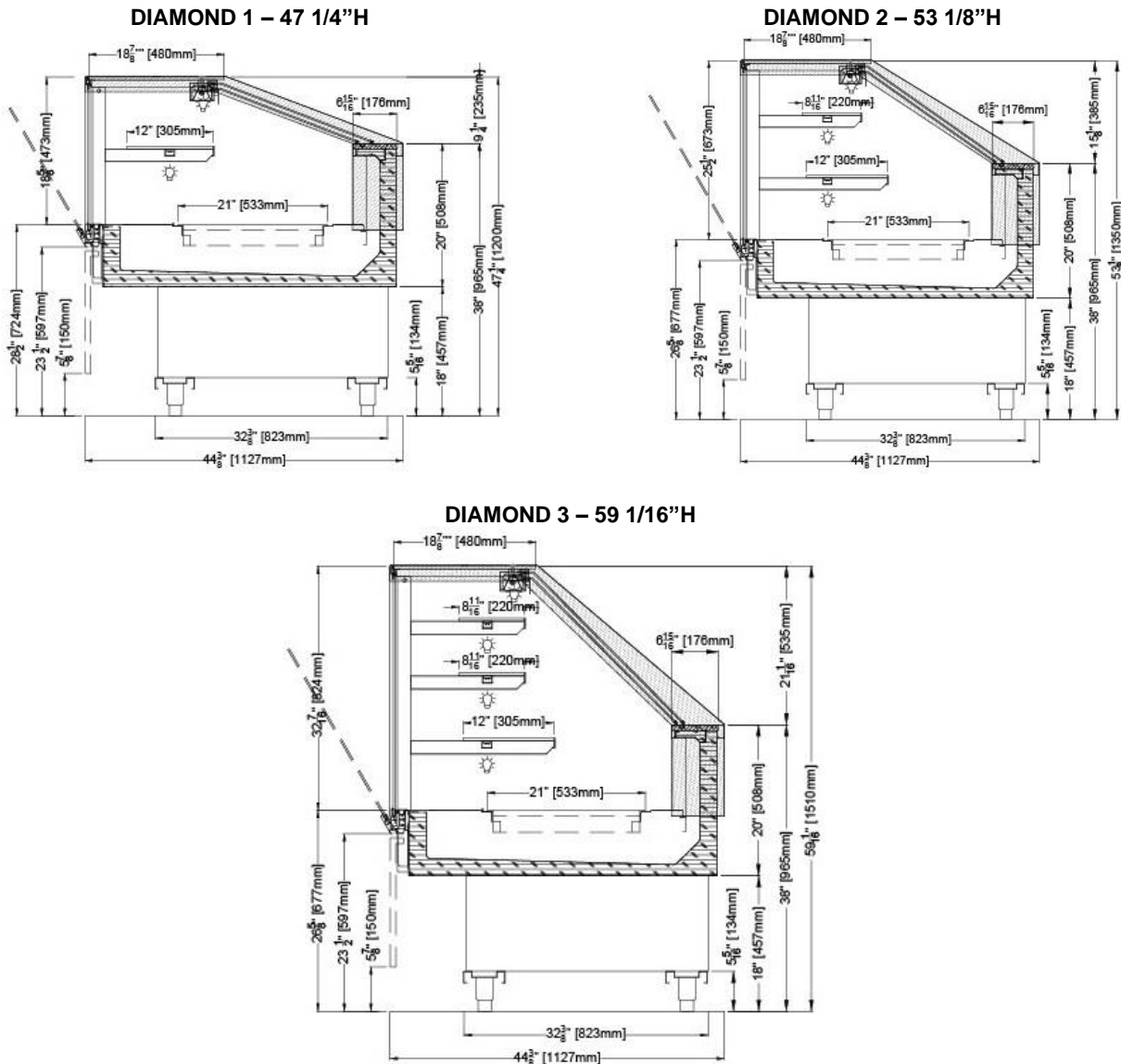
**DIAMOND 2 CS-DRY MODELS:** DIAMOND 2 CS1110, DIAMOND 2 CS1610, DIAMOND 2 CS2106

**DIAMOND 2 CBM-BAIN MARIE MODELS:** DIAMOND 2 CBM1110, DIAMOND 2 CBM1610, DIAMOND 2 CBM2106

**DIAMOND 3 CS-DRY MODELS:** DIAMOND 3 CS1110, DIAMOND 3 CS1610, DIAMOND 3 CS2106

**DIAMOND 3 CBM-BAIN MARIE MODELS:** DIAMOND 3 CBM1110, DIAMOND 3 CBM1610, DIAMOND 3 CBM2106

### STANDARD: DIAMOND 1-2-3 HOT CS-DRY SECTION VIEWS



\*Oscartek reserves the right to change, modify, discontinue, or change any features, sizes, or capacity on any model without prior notice.

## DIAMOND 1-2-3 HOT

**DIAMOND 1 CS-DRY MODELS:** DIAMOND 1 CS1110, DIAMOND 1 CS1610, DIAMOND 1 CS2106

**DIAMOND 1 CBM-BAIN MARIE MODELS:** DIAMOND 1 CBM1110, DIAMOND 1 CBM1610, DIAMOND 1 CBM2106

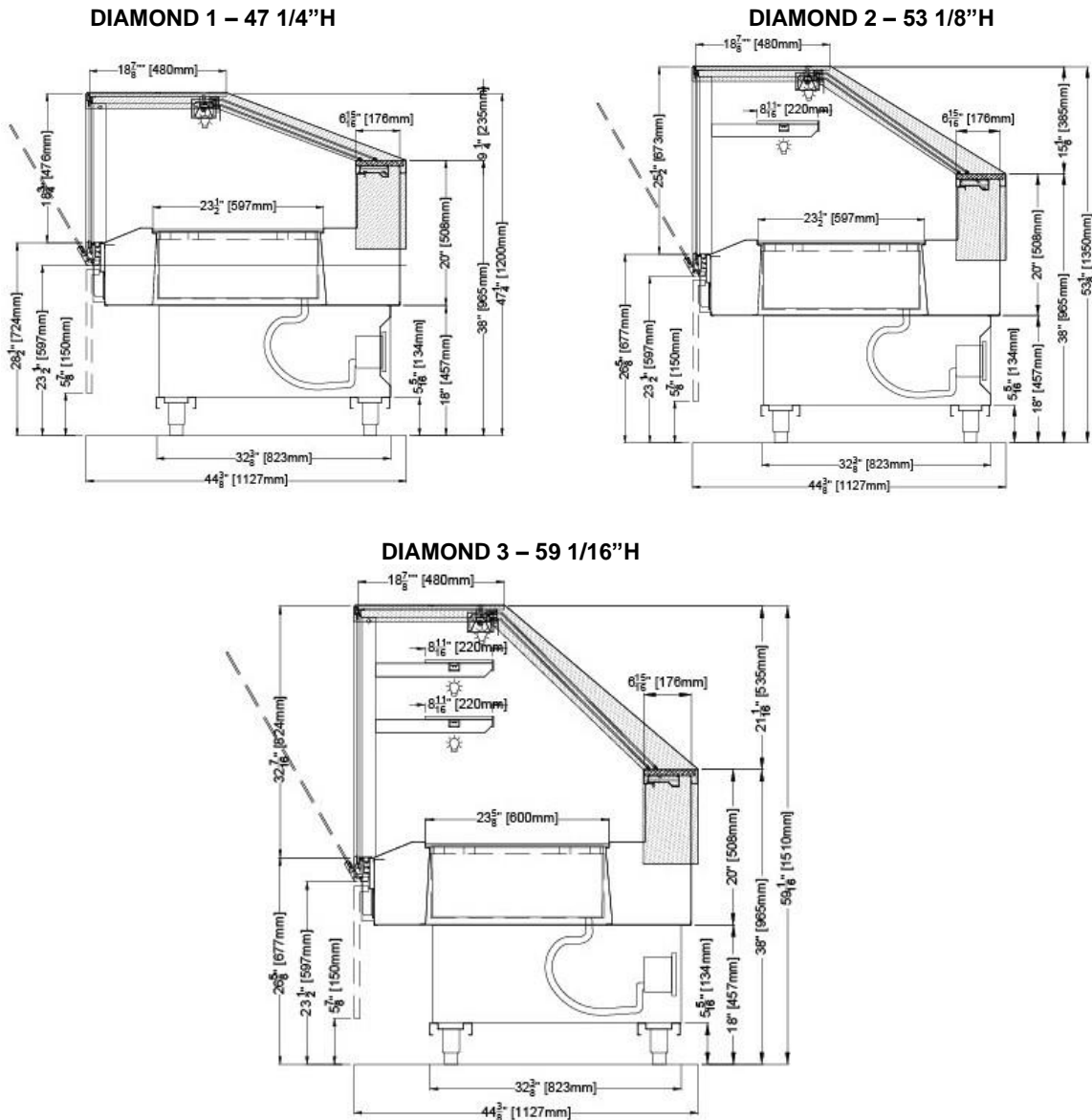
**DIAMOND 2 CS-DRY MODELS:** DIAMOND 2 CS1110, DIAMOND 2 CS1610, DIAMOND 2 CS2106

**DIAMOND 2 CBM-BAIN MARIE MODELS:** DIAMOND 2 CBM1110, DIAMOND 2 CBM1610, DIAMOND 2 CBM2106

**DIAMOND 3 CS-DRY MODELS:** DIAMOND 3 CS1110, DIAMOND 3 CS1610, DIAMOND 3 CS2106

**DIAMOND 3 CBM-BAIN MARIE MODELS:** DIAMOND 3 CBM1110, DIAMOND 3 CBM1610, DIAMOND 3 CBM2106

### STANDARD: DIAMOND 1-2-3 HOT CBM-BAIN MARIE SECTION VIEWS



\*Oscartek reserves the right to change, modify, discontinue, or change any features, sizes, or capacity on any model without prior notice.



Discover the Art of Display...

Project Name: \_\_\_\_\_

Item #: \_\_\_\_\_ Quantity: \_\_\_\_\_

## DIAMOND 1-2-3 HOT

**DIAMOND 1 CS-DRY MODELS:** DIAMOND 1 CS1110, DIAMOND 1 CS1610, DIAMOND 1 CS2106

**DIAMOND 1 CBM-BAIN MARIE MODELS:** DIAMOND 1 CBM1110, DIAMOND 1 CBM1610, DIAMOND 1 CBM2106

**DIAMOND 2 CS-DRY MODELS:** DIAMOND 2 CS1110, DIAMOND 2 CS1610, DIAMOND 2 CS2106

**DIAMOND 2 CBM-BAIN MARIE MODELS:** DIAMOND 2 CBM1110, DIAMOND 2 CBM1610, DIAMOND 2 CBM2106

**DIAMOND 3 CS-DRY MODELS:** DIAMOND 3 CS1110, DIAMOND 3 CS1610, DIAMOND 3 CS2106

**DIAMOND 3 CBM-BAIN MARIE MODELS:** DIAMOND 3 CBM1110, DIAMOND 3 CBM1610, DIAMOND 3 CBM2106

DIAMOND 1 HOT (CS - DRY)				
TECHNICAL FEATURES		MODELS		
		DIAMOND 1 CS1110 (DMD1CS44)	DIAMOND 1 CS1610 (DMD1CS64)	DIAMOND 1 CS2106 (DMD1CS83)
External Dimensions (L-D-H) Inches-MM	Inches MM	*44 1/8" - 44 3/8" - 47 1/4" *1121 - 1127 - 1200	*63 13/16" - 44 3/8" - 47 1/4" *1621 - 1127 - 1200	*83 3/8" - 44 3/8" - 47 1/4" *2117 - 1127 - 1200
Crated Dimensions (L-D-H) Inches-MM	Inches MM	52" - 52" - 53" 1320 - 1320 - 1346	70" - 52" - 53" 1778 - 1320 - 1346	90" - 52" - 53" 2286 - 1320 - 1346
Power Supply**	(V/Ph/Hz)	208-220/1/60	208-220/1/60	208-220/1/60 (2)
Operating Temperature	°F	176	176	176
Power Amps Direct Connection**	HEAT LAMP (W/A)	400/2,0	600/3,0	2 x 400/2,0
	HOT PLATE (W/A)	750/3,6	1000/4,9	2 x 750/3,6
Net Weights	Lb	460	680	750
Crated Weights	Lb	550	780	860
*DIMENSIONS ARE WITH STANDARD POLISHED S/S SKIN SIDES			**REQUIRES 2 INDEPENDENT POWER SUPPLY	

DIAMOND 1 HOT (CBM-BAIN MARIE)				
TECHNICAL FEATURES		MODELS		
		DIAMOND 1 CBM1110 (DMD1CBM44)	DIAMOND 1 CBM1610 (DMD1CBM64)	DIAMOND 1 CBM2106 (DMD1CBM83)
External Dimensions (L-D-H) Inches-MM	Inches MM	*44 1/8" - 44 3/8" - 47 1/4" *1121 - 1127 - 1200	*63 13/16" - 44 3/8" - 47 1/4" *1621 - 1127 - 1200	*83 3/8" - 44 3/8" - 47 1/4" *2117 - 1127 - 1200
Crated Dimensions (L-D-H) Inches-MM	Inches MM	52" - 52" - 53" 1320 - 1320 - 1346	70" - 52" - 53" 1778 - 1320 - 1346	90" - 52" - 53" 2286 - 1320 - 1346
Power Supply**	(V/Ph/Hz)	208-220/1/60	208-220/1/60	208-220/1/60 (2)
Operating Temperature	°F	176	176	176
Power Amps Direct Connection**	HEAT LAMP (W/A)	400/2,0	600/3,0	2 x 400/2,0
	BAIN MARIE (W/A)	1500/7,2	2000/9,6	2 x 1500/7,2
Net Weights	Lb	460	680	750
Crated Weights	Lb	550	780	860
*DIMENSIONS ARE WITH STANDARD POLISHED S/S SKIN SIDES			**REQUIRES 2 INDEPENDENT POWER SUPPLY	
NOTE: CBM-BAIN MARIE: DRAIN SIZE FOR INDIVIDUAL WELL 3/4"				

\*Oscartek reserves the right to change, modify, discontinue, or change any features, sizes, or capacity on any model without prior notice.

OSCARTEK®  
512 South Airport Blvd., South San Francisco, CA 94080  
Tel: 650.342.2400 | Fax: 650.342.7400  
www.oscartek.com





Discover the Art of Display...

Project Name: \_\_\_\_\_

Item #: \_\_\_\_\_ Quantity: \_\_\_\_\_

## DIAMOND 1-2-3 HOT

**DIAMOND 1 CS-DRY MODELS:** DIAMOND 1 CS1110, DIAMOND 1 CS1610, DIAMOND 1 CS2106

**DIAMOND 1 CBM-BAIN MARIE MODELS:** DIAMOND 1 CBM1110, DIAMOND 1 CBM1610, DIAMOND 1 CBM2106

**DIAMOND 2 CS-DRY MODELS:** DIAMOND 2 CS1110, DIAMOND 2 CS1610, DIAMOND 2 CS2106

**DIAMOND 2 CBM-BAIN MARIE MODELS:** DIAMOND 2 CBM1110, DIAMOND 2 CBM1610, DIAMOND 2 CBM2106

**DIAMOND 3 CS-DRY MODELS:** DIAMOND 3 CS1110, DIAMOND 3 CS1610, DIAMOND 3 CS2106

**DIAMOND 3 CBM-BAIN MARIE MODELS:** DIAMOND 3 CBM1110, DIAMOND 3 CBM1610, DIAMOND 3 CBM2106

DIAMOND 2 HOT (CS - DRY)				
TECHNICAL FEATURES		MODELS		
		DIAMOND 2 CS1110 (DMD2CS44)	DIAMOND 2 CS1610 (DMD2CS64)	DIAMOND 2 CS2106 (DMD2CS83)
External Dimensions (L-D-H) Inches-MM	Inches MM	*44 1/8" - 44 3/8" - 53 1/8" *1121 - 1127 - 1350	*63 13/16" - 44 3/8" - 53 1/8" *1621 - 1127 - 1350	*83 3/8" - 44 3/8" - 53 1/8" *2117 - 1127 - 1350
Crated Dimensions (L-D-H) Inches-MM	Inches MM	52" - 52" - 61" 1320 - 1320 - 1549	70" - 52" - 61" 1778 - 1320 - 1549	90" - 52" - 61" 2286 - 1320 - 1549
Power Supply**	(V/Ph/Hz)	208-220/1/60	208-220/1/60	208-220/1/60 (2)
Operating Temperature	°F	176	176	176
Power Amps Direct Connection**	HEAT LAMP (W/A)	800/4,0	1200/6,0	2 x 800/4,0
	HOT PLATE (W/A)	750/3,6	1000/4,9	2 x 750/3,6
Net Weights	Lb	500	740	850
Crated Weights	Lb	590	830	960
<b>*DIMENSIONS ARE WITH STANDARD POLISHED S/S SKIN SIDES</b>			<b>**REQUIRES 2 INDEPENDENT POWER SUPPLY</b>	

DIAMOND 2 HOT (CBM-BAIN MARIE)				
TECHNICAL FEATURES		MODELS		
		DIAMOND 2 CBM1110 (DMD2CBM44)	DIAMOND 2 CBM1610 (DMD2CBM64)	DIAMOND 2 CBM2106 (DMD2CBM83)
External Dimensions (L-D-H) Inches-MM	Inches MM	*44 1/8" - 44 3/8" - 53 1/8" *1121 - 1127 - 1350	*63 13/16" - 44 3/8" - 53 1/8" *1621 - 1127 - 1350	*83 3/8" - 44 3/8" - 53 1/8" *2117 - 1127 - 1350
Crated Dimensions (L-D-H) Inches-MM	Inches MM	52" - 52" - 61" 1320 - 1320 - 1549	70" - 52" - 61" 1778 - 1320 - 1549	90" - 52" - 61" 2286 - 1320 - 1549
Power Supply**	(V/Ph/Hz)	208-220/1/60	208-220/1/60	208-220/1/60 (2)
Operating Temperature	°F	176	176	176
Power Amps Direct Connection**	HEAT LAMP (W/A)	400/2,0	600/3,0	2 x 400/2,0
	BAIN MARIE (W/A)	1500/7,2	2000/9,6	2 x 1500/7,2
Net Weights	Lb	460	680	750
Crated Weights	Lb	550	780	860
<b>*DIMENSIONS ARE WITH STANDARD POLISHED S/S SKIN SIDES</b>			<b>**REQUIRES 2 INDEPENDENT POWER SUPPLY</b>	
<b>NOTE: CBM-BAIN MARIE: DRAIN SIZE FOR INDIVIDUAL WELL 3/4"</b>				

\*Oscartek reserves the right to change, modify, discontinue, or change any features, sizes, or capacity on any model without prior notice.

OSCARTEK®  
512 South Airport Blvd., South San Francisco, CA 94080  
Tel: 650.342.2400 | Fax: 650.342.7400  
www.oscartek.com





Project Name: \_\_\_\_\_  
 Item #: \_\_\_\_\_ Quantity: \_\_\_\_\_

## DIAMOND 1-2-3 HOT

- DIAMOND 1 CS-DRY MODELS:** DIAMOND 1 CS1110, DIAMOND 1 CS1610, DIAMOND 1 CS2106  
**DIAMOND 1 CBM-BAIN MARIE MODELS:** DIAMOND 1 CBM1110, DIAMOND 1 CBM1610, DIAMOND 1 CBM2106  
**DIAMOND 2 CS-DRY MODELS:** DIAMOND 2 CS1110, DIAMOND 2 CS1610, DIAMOND 2 CS2106  
**DIAMOND 2 CBM-BAIN MARIE MODELS:** DIAMOND 2 CBM1110, DIAMOND 2 CBM1610, DIAMOND 2 CBM2106  
**DIAMOND 3 CS-DRY MODELS:** DIAMOND 3 CS1110, DIAMOND 3 CS1610, DIAMOND 3 CS2106  
**DIAMOND 3 CBM-BAIN MARIE MODELS:** DIAMOND 3 CBM1110, DIAMOND 3 CBM1610, DIAMOND 3 CBM2106

DIAMOND 3 HOT (CS - DRY)				
TECHNICAL FEATURES		MODELS		
		DIAMOND 3 CS1110 (DMD3CS44)	DIAMOND 3 CS1610 (DMD3CS64)	DIAMOND 3 CS2106 (DMD3CS83)
External Dimensions (L-D-H) Inches-MM	Inches MM	*44 1/8" - 44 3/8" - 59 1/16" *1121 - 1127 - 1500	*63 13/16" - 44 3/8" - 59 1/16" *1621 - 1127 - 1500	*83 3/8" - 44 3/8" - 59 1/16" *2117 - 1127 - 1500
Crated Dimensions (L-D-H) Inches-MM	Inches MM	52" - 52" - 67" 1320 - 1320 - 1701	70" - 52" - 67" 1778 - 1320 - 1701	90" - 52" - 67" 2286 - 1320 - 1701
Power Supply**	(V/Ph/Hz)	208-220/1/60	208-220/1/60	208-220/1/60 (2)
Operating Temperature	°F	176	176	176
Power Amps Direct Connection**	HEAT LAMP (W/A)	800/4,0	1200/6,0	2 x 800/4,0
	HOT PLATE (W/A)	750/3,6	1000/4,9	2 x 750/3,6
Net Weights	Lb	500	740	850
Crated Weights	Lb	590	830	960
		<b>*DIMENSIONS ARE WITH STANDARD POLISHED S/S SKIN SIDES</b>		<b>**REQUIRES 2 INDEPENDENT POWER SUPPLY</b>

DIAMOND 3 HOT (CBM-BAIN MARIE)				
TECHNICAL FEATURES		MODELS		
		DIAMOND 3 CBM1110 (DMD3CBM44)	DIAMOND 3 CBM1610 (DMD3CBM64)	DIAMOND 3 CBM2106 (DMD3CBM83)
External Dimensions (L-D-H) Inches-MM	Inches MM	*44 1/8" - 44 3/8" - 59 1/16" *1121 - 1127 - 1500	*63 13/16" - 44 3/8" - 59 1/16" *1621 - 1127 - 1500	*83 3/8" - 44 3/8" - 59 1/16" *2117 - 1127 - 1500
Crated Dimensions (L-D-H) Inches-MM	Inches MM	52" - 52" - 67" 1320 - 1320 - 1701	70" - 52" - 67" 1778 - 1320 - 1701	90" - 52" - 67" 2286 - 1320 - 1701
Power Supply**	(V/Ph/Hz)	208-220/1/60 (2)	208-220/1/60 (2)	208-220/1/60 (2)
Operating Temperature	°F	176	176	176
Power Amps Direct Connection**	HEAT LAMP (W/A)	400/2,0	600/3,0	2 x 400/2,0
	BAIN MARIE (W/A)	1500/7,2	2000/9,6	2 x 1500/7,2
Net Weights	Lb	460	680	750
Crated Weights	Lb	550	780	860
		<b>*DIMENSIONS ARE WITH STANDARD POLISHED S/S SKIN SIDES</b>		<b>**REQUIRES 2 INDEPENDENT POWER SUPPLY</b>
		<b>NOTE: CBM-BAIN MARIE: DRAIN SIZE FOR INDIVIDUAL WELL 3/4"</b>		

\*Oscartek reserves the right to change, modify, discontinue, or change any features, sizes, or capacity on any model without prior notice.

OSCARTEK®  
 512 South Airport Blvd., South San Francisco, CA 94080  
 Tel: 650.342.2400 | Fax: 650.342.7400  
 www.oscartek.com





# DIAMOND 1-2-3

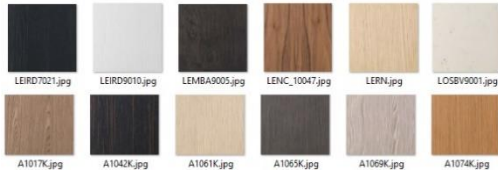
## Neutral Showcase

**DIAMOND 1 NEUTRAL MODELS:** DIAMOND 1 N1110, DIAMOND 1 N1610, DIAMOND 1 N2106, DIAMOND 1 NA30, DIAMOND 1 NC30

**DIAMOND 2 NEUTRAL MODELS:** DIAMOND 2 N1110, DIAMOND 2 N1610, DIAMOND 2 N2106, DIAMOND 2 NA30, DIAMOND 2 NC30

**DIAMOND 3 NEUTRAL MODELS:** DIAMOND 3 N1110, DIAMOND 3 N1610, DIAMOND 3 N2106, DIAMOND 3 NA30, DIAMOND 3 NC30

Diamond 1 Neutral with optional stainless steel front



Visit our website for more finishing options and RAL colors  
[www.oscartek.com](http://www.oscartek.com)

### STANDARD FEATURES

- Available in 3 heights: 47”H, 53”H, and 59”H
- Chrome finishing
- Diffused LED lighting 3000°K
- Front glass with safety tilt down opening system
- Pyrolytic anti-fog front and side glass
- Cases ship standard unfinished front and stainless steel skin sides

### OPTIONS

- Work top (brushed s/s, corian, granite)
- Stainless steel step shelf
- Epoxy RAL color interior and exterior over stainless steel
- RAL color/custom plastic wood laminate exterior front and sides
- Unfinished panels to accept millwork by others
- Casters

\*Oscartek reserves the right to change, modify, discontinue, or change any features, sizes, or capacity on any model without prior notice.

## DIAMOND 1-2-3 NEUTRAL

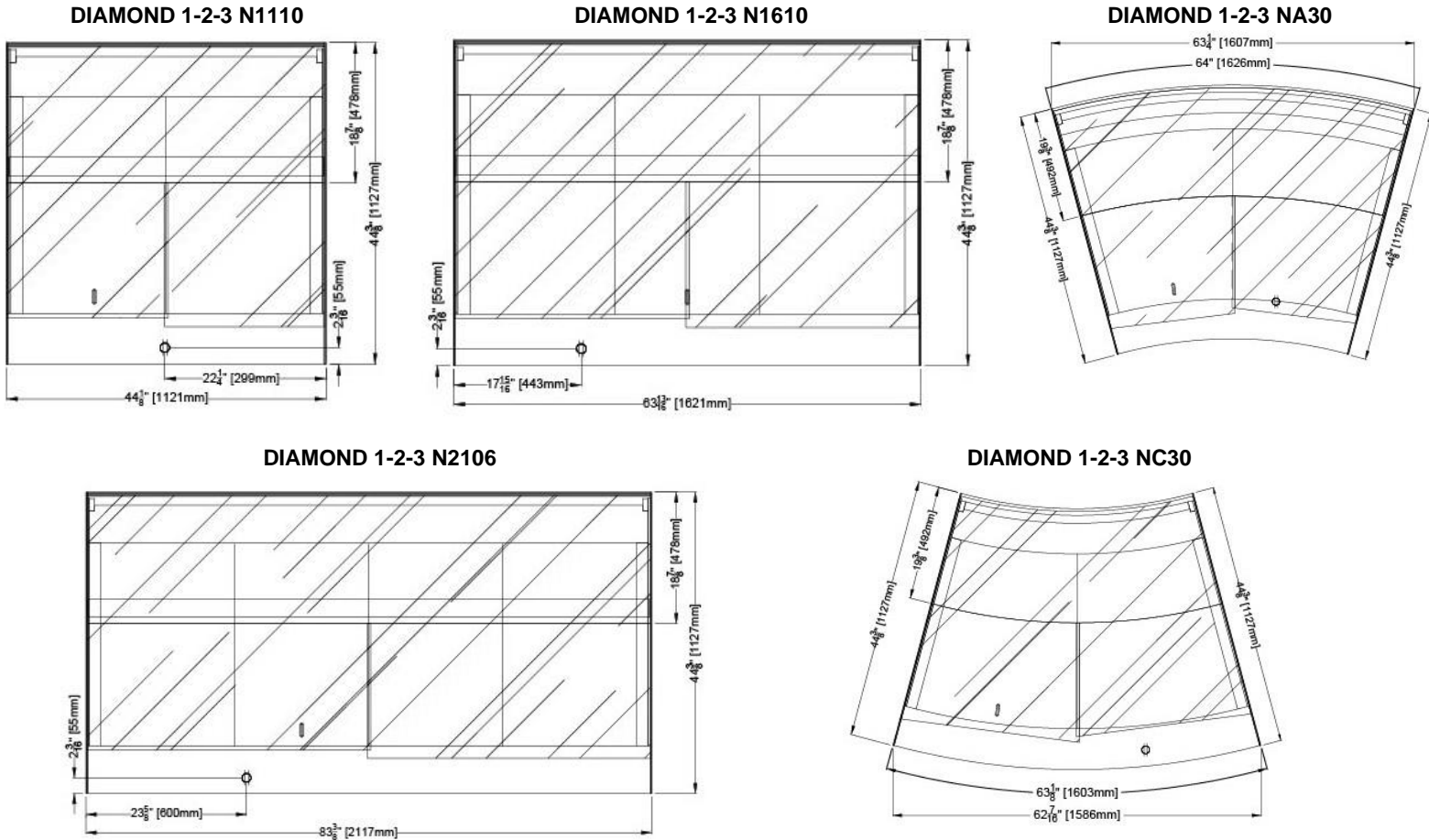
**DIAMOND 1 NEUTRAL MODELS:** DIAMOND 1 N1110, DIAMOND 1 N1610, DIAMOND 1 N2106, DIAMOND 1 NA30, DIAMOND 1 NC30

**DIAMOND 2 NEUTRAL MODELS:** DIAMOND 2 N1110, DIAMOND 2 N1610, DIAMOND 2 N2106, DIAMOND 2 NA30, DIAMOND 2 NC30

**DIAMOND 3 NEUTRAL MODELS:** DIAMOND 3 N1110, DIAMOND 3 N1610, DIAMOND 3 N2106, DIAMOND 3 NA30, DIAMOND 3 NC30

### STANDARD: DIAMOND 1-2-3 NEUTRAL

#### PLAN VIEWS



ELECTRICAL LEGEND	
⊕	POWER

\*Oscartek reserves the right to change, modify, discontinue, or change any features, sizes, or capacity on any model without prior notice.

**DIAMOND 1-2-3 NEUTRAL**

**DIAMOND 1 NEUTRAL MODELS:** DIAMOND 1 N1110, DIAMOND 1 N1610, DIAMOND 1 N2106, DIAMOND 1 NA30, DIAMOND 1 NC30

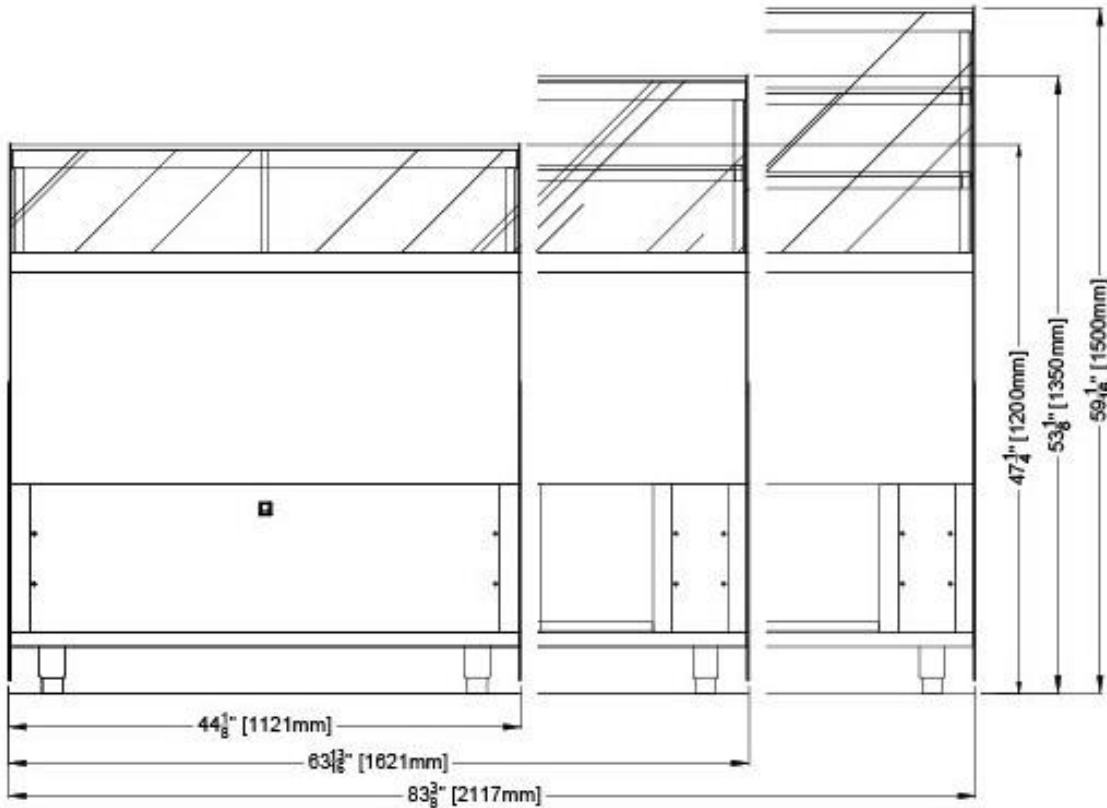
**DIAMOND 2 NEUTRAL MODELS:** DIAMOND 2 N1110, DIAMOND 2 N1610, DIAMOND 2 N2106, DIAMOND 2 NA30, DIAMOND 2 NC30

**DIAMOND 3 NEUTRAL MODELS:** DIAMOND 3 N1110, DIAMOND 3 N1610, DIAMOND 3 N2106, DIAMOND 3 NA30, DIAMOND 3 NC30

**STANDARD: DIAMOND 1-2-3 NEUTRAL**

**REAR ELEVATIONS (OPERATOR SIDE)**

DIAMOND 1-2-3 NEUTRAL N1110, N1610, N2106



\*Oscartek reserves the right to change, modify, discontinue, or change any features, sizes, or capacity on any model without prior notice.

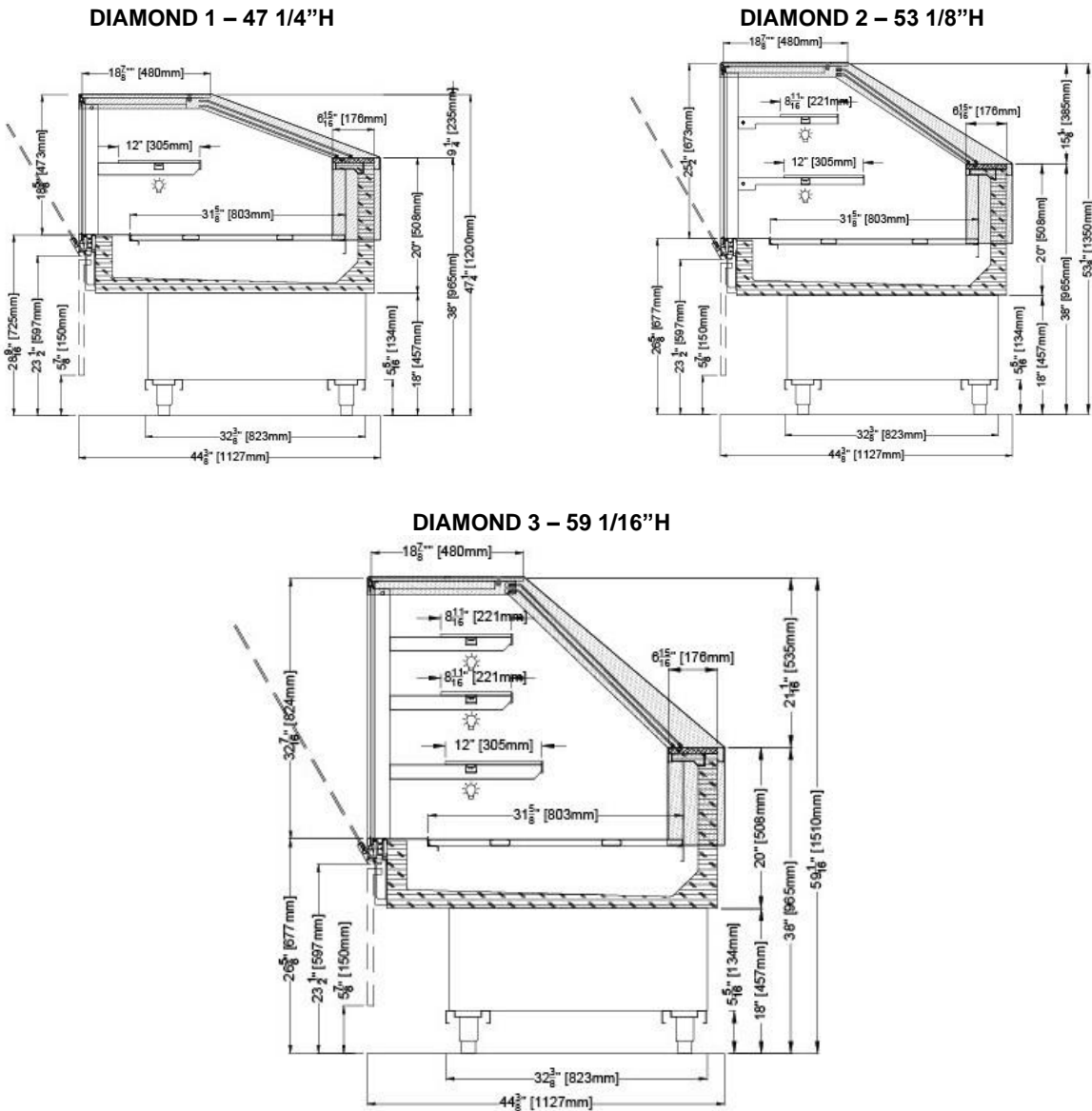
## DIAMOND 1-2-3 NEUTRAL

**DIAMOND 1 NEUTRAL MODELS:** DIAMOND 1 N1110, DIAMOND 1 N1610, DIAMOND 1 N2106, DIAMOND 1 NA30, DIAMOND 1 NC30

**DIAMOND 2 NEUTRAL MODELS:** DIAMOND 2 N1110, DIAMOND 2 N1610, DIAMOND 2 N2106, DIAMOND 2 NA30, DIAMOND 2 NC30

**DIAMOND 3 NEUTRAL MODELS:** DIAMOND 3 N1110, DIAMOND 3 N1610, DIAMOND 3 N2106, DIAMOND 3 NA30, DIAMOND 3 NC30

### STANDARD: DIAMOND 1-2-3 NEUTRAL SECTION VIEWS



\*Oscartek reserves the right to change, modify, discontinue, or change any features, sizes, or capacity on any model without prior notice.



Project Name: \_\_\_\_\_  
 Item #: \_\_\_\_\_ Quantity: \_\_\_\_\_

## DIAMOND 1-2-3 NEUTRAL

**DIAMOND 1 NEUTRAL MODELS:** DIAMOND 1 N1110, DIAMOND 1 N1610, DIAMOND 1 N2106, DIAMOND 1 NA30, DIAMOND 1 NC30

**DIAMOND 2 NEUTRAL MODELS:** DIAMOND 2 N1110, DIAMOND 2 N1610, DIAMOND 2 N2106, DIAMOND 2 NA30, DIAMOND 2 NC30

**DIAMOND 3 NEUTRAL MODELS:** DIAMOND 3 N1110, DIAMOND 3 N1610, DIAMOND 3 N2106, DIAMOND 3 NA30, DIAMOND 3 NC30

DIAMOND 1 NEUTRAL						
TECHNICAL FEATURES		MODELS				
		DIAMOND 1 N1110 (DMD1NT44)	DIAMOND 1 N1610 (DMD1NT64)	DIAMOND 1 N2106 (DMD1NT83)	DIAMOND 1 NA30 (DMD1NTAP30)	DIAMOND 1 NC30 (DMD1NTCH30)
External Dimensions (L-D-H) Inches-MM	Inches MM	*44 1/8" - 44 3/8" - 47 1/4" *1121 - 1127 - 1200	*63 13/16" - 44 3/8" - 47 1/4" *1621 - 1127 - 1200	*83 3/8" - 44 3/8" - 47 1/4" *2117 - 1127 - 1200	*63 1/4" - 44 3/8" - 47 1/4" *1607 - 1127 - 1200	*62 7/16" - 44 3/8" - 47 1/4" *1586 - 1127 - 1200
Crated Dimensions (L-D-H) Inches-MM	Inches MM	51" - 51" - 53" 1295 - 1295 - 1346	70" - 51" - 53" 1778 - 1295 - 1346	90" - 51" - 53" 2286 - 1295 - 1346	70" - 51" - 53" 1778 - 1295 - 1346	70" - 51" - 53" 1778 - 1295 - 1346
Operating Temperature	°F	Ambient	Ambient	Ambient	Ambient	Ambient
Power Supply	(V/Ph/Hz)	120/1/60	120/1/60	120/1/60	120/1/60	120/1/60
Power Consumption	(W/A)	50/0,5	100/1,0	150/1,5	100/1,0	100/1,0
Net Weights	Lb	440	640	720	600	600
Crated Weights	Lb	530	740	830	700	700

**\*DIMENSIONS ARE WITH STANDARD POLISHED S/S SKIN SIDES**

DIAMOND 2 NEUTRAL						
TECHNICAL FEATURES		MODELS				
		DIAMOND 2 N1110 (DMD2NT44)	DIAMOND 2 N1610 (DMD2NT64)	DIAMOND 2 N2106 (DMD2NT83)	DIAMOND 2 NA30 (DMD2NTAP30)	DIAMOND 2 NC30 (DMD2NTCH30)
External Dimensions (L-D-H) Inches-MM	Inches MM	*44 1/8" - 44 3/8" - 53 1/8" *1121 - 1127 - 1350	*63 13/16" - 44 3/8" - 53 1/8" *1621 - 1127 - 1350	*83 3/8" - 44 3/8" - 53 1/8" *2117 - 1127 - 1350	*63 1/4" - 44 3/8" - 53 1/8" *1607 - 1127 - 1350	*62 7/16" - 44 3/8" - 53 1/8" *1586 - 1127 - 1350
Crated Dimensions (L-D-H) Inches-MM	Inches MM	51" - 51" - 60" 1295 - 1295 - 1524	70" - 51" - 60" 1778 - 1295 - 1524	90" - 51" - 60" 2286 - 1295 - 1524	70" - 51" - 60" 1778 - 1295 - 1524	70" - 51" - 60" 1778 - 1295 - 1524
Operating Temperature	°F	Ambient	Ambient	Ambient	Ambient	Ambient
Power Supply	(V/Ph/Hz)	120/1/60	120/1/60	120/1/60	120/1/60	120/1/60
Power Consumption	(W/A)	70/0,7	150/1,5	200/2,0	150/1,5	150/1,5
Net Weights	Lb	450	650	730	610	610
Crated Weights	Lb	540	750	840	710	710

**\*DIMENSIONS ARE WITH STANDARD POLISHED S/S SKIN SIDES**

DIAMOND 3 NEUTRAL						
TECHNICAL FEATURES		MODELS				
		DIAMOND 3 N1110 (DMD3NT44)	DIAMOND 3 N1610 (DMD3NT64)	DIAMOND 3 N2106 (DMD3NT83)	DIAMOND 3 NA30 (DMD3NTAP30)	DIAMOND 3 NC30 (DMD3NTCH30)
External Dimensions (L-D-H) Inches-MM	Inches MM	*44 1/8" - 44 3/8" - 59 1/16" *1121 - 1127 - 1500	*63 13/16" - 44 3/8" - 59 1/16" *1621 - 1127 - 1500	*83 3/8" - 44 3/8" - 59 1/16" *2117 - 1127 - 1500	*63 1/4" - 44 3/8" - 59 1/16" *1607 - 1127 - 1500	*62 7/16" - 44 3/8" - 59 1/16" *1586 - 1127 - 1500
Crated Dimensions (L-D-H) Inches-MM	Inches MM	51" - 51" - 66" 1295 - 1295 - 1676	70" - 51" - 66" 1778 - 1295 - 1676	90" - 51" - 66" 2286 - 1295 - 1676	70" - 51" - 66" 1778 - 1295 - 1676	70" - 51" - 66" 1778 - 1295 - 1676
Operating Temperature	°F	Ambient	Ambient	Ambient	Ambient	Ambient
Power Supply	(V/Ph/Hz)	120/1/60	120/1/60	120/1/60	120/1/60	120/1/60
Power Consumption	(W/A)	100/1,0	200/2,0	250/2,5	200/2,0	200/2,0
Net Weights	Lb	460	660	740	620	620
Crated Weights	Lb	550	760	850	720	720

**\*DIMENSIONS ARE WITH STANDARD POLISHED S/S SKIN SIDES**

\*Oscartek reserves the right to change, modify, discontinue, or change any features, sizes, or capacity on any model without prior notice.

OSCARTEK®  
 512 South Airport Blvd., South San Francisco, CA 94080  
 Tel: 650.342.2400 | Fax: 650.342.7400  
 www.oscartek.com





Discover the Art of Display...

Project Name: \_\_\_\_\_  
Item #: \_\_\_\_\_ Quantity: \_\_\_\_\_



Diamond 2 Deli/Pastry + Diamond 2 GNG with custom front



Diamond 2 GNG with custom front



Visit our website for more finishing options and RAL colors  
[www.oscartek.com](http://www.oscartek.com)

# DIAMOND 2

## Grab and Go Showcase

**DIAMOND 2 GNG MODELS:** DIAMOND 2 GNG1000, DIAMOND 2 GNG1200, DIAMOND 2 GNG1500, DIAMOND 2 GNG1700, DIAMOND 2 GNG2000, DIAMOND 2 GNG2400, DIAMOND 2 GNGA90SQ

### STANDARD FEATURES

- Double pane side glass ends
- Dixell digital control
- Diffused LED lighting 3000°K
- Straight or inclined shelves
- Polished stainless steel interior and exterior
- Self-Contained – Floor Sink Recommended
- Adjustable feet
- Cases ship standard stainless steel interior and exterior

### OPTIONS

- Stainless steel side panels in lieu of glass
- Remote/water cooled condensing unit
- Shelves fence for inclined position
- Epoxy RAL color interior and exterior over stainless steel
- RAL color/custom plastic wood laminate exterior front and sides
- Unfinished panels to accept millwork by others
- Custom height chassis modification
- Condensate heated pan with fan
- Casters

\*Oscartek reserves the right to change, modify, discontinue, or change any features, sizes, or capacity on any model without prior notice.

OSCARTEK®  
512 South Airport Blvd., South San Francisco, CA 94080  
Tel: 650.342.2400 | Fax: 650.342.7400  
[www.oscartek.com](http://www.oscartek.com)

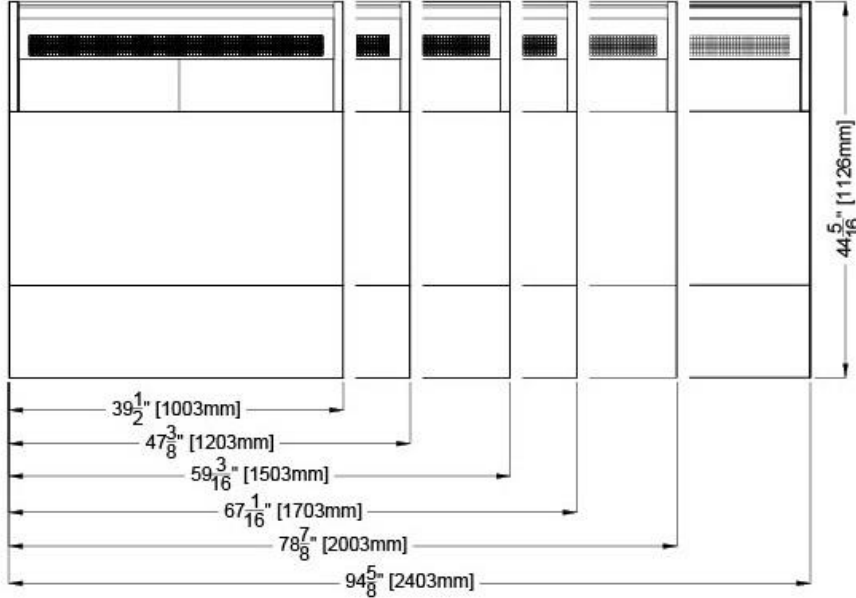


## DIAMOND 2 GRAB AND GO

**DIAMOND 2 GNG MODELS:** DIAMOND 2 GNG1000, DIAMOND 2 GNG1200, DIAMOND 2 GNG1500, DIAMOND 2 GNG1700, DIAMOND 2 GNG2000, DIAMOND 2 GNG2400, DIAMOND 2 GNGA90SQ

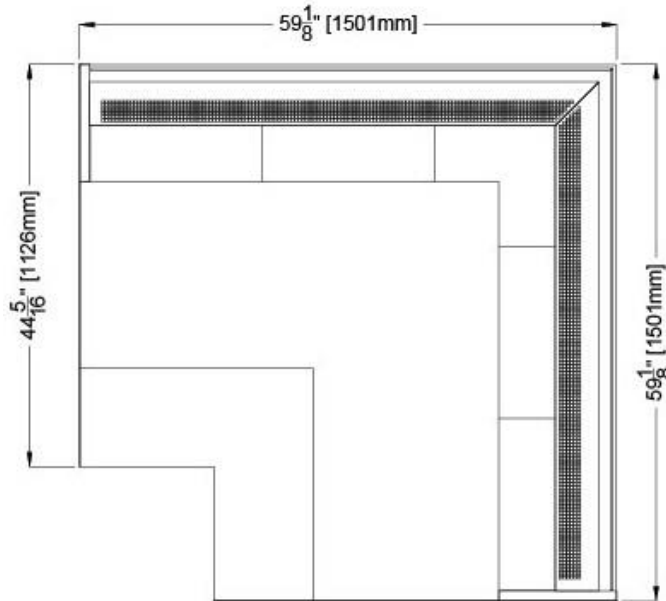
### STANDARD: DIAMOND 2 GNG LINEAR MODELS

#### PLAN VIEWS



### STANDARD: DIAMOND 2 GNG A90SQ MODEL

#### PLAN VIEW



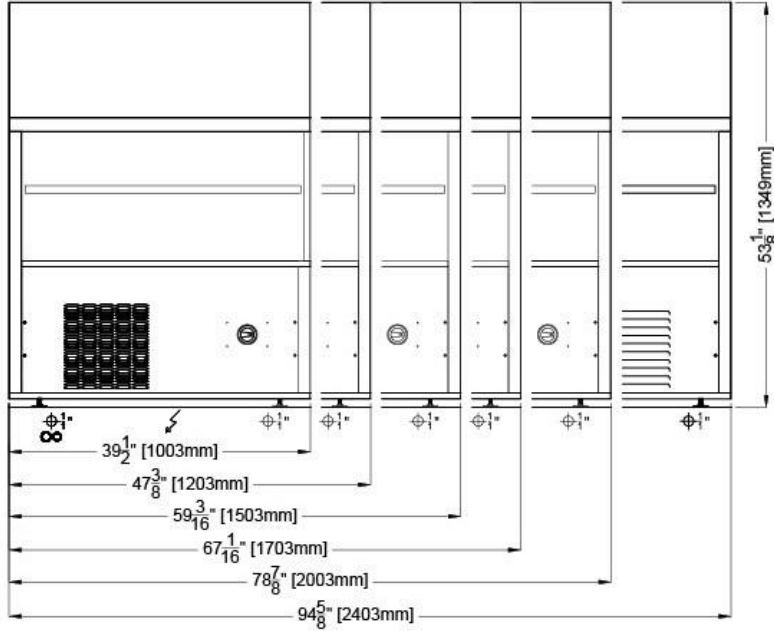
\*Oscartek reserves the right to change, modify, discontinue, or change any features, sizes, or capacity on any model without prior notice.

## DIAMOND 2 GRAB AND GO

DIAMOND 2 GNG MODELS: DIAMOND 2 GNG1000, DIAMOND 2 GNG1200, DIAMOND 2 GNG1500, DIAMOND 2 GNG1700, DIAMOND 2 GNG2000, DIAMOND 2 GNG2400, DIAMOND 2 GNGA90SQ

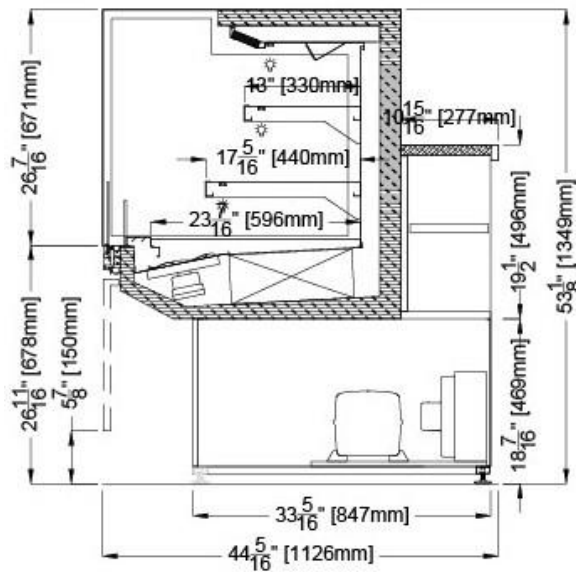
### STANDARD: DIAMOND 2 GRAB AND GO LINEAR MODELS

#### REAR ELEVATIONS (OPERATOR SIDE)



### STANDARD: DIAMOND 2 GRAB AND GO

#### SECTION VIEW



\*Oscartek reserves the right to change, modify, discontinue, or change any features, sizes, or capacity on any model without prior notice.



Project Name: \_\_\_\_\_  
 Item #: \_\_\_\_\_ Quantity: \_\_\_\_\_

## DIAMOND 2 GRAB AND GO

DIAMOND 2 GNG MODELS: DIAMOND 2 GNG1000, DIAMOND 2 GNG1200, DIAMOND 2 GNG1500, DIAMOND 2 GNG1700, DIAMOND 2 GNG2000, DIAMOND 2 GNG2400, DIAMOND 2 GNGA90SQ

DIAMOND 2 GRAB AND GO					
TECHNICAL FEATURES		MODELS			
		DIAMOND 2 GNG1000 (DMDGNG39)	DIAMOND 2 GNG1200 (DMDGNG47)	DIAMOND 2 GNG1500 (DMDGNG59)	DIAMOND 2 GNG1700 (DMDGNG71)
External Dimensions (L-D-H) Inches-MM	Inches MM	*39 1/2" - 44 5/16" - 53 1/8" *1003 - 1126 - 1350	*47 3/8" - 44 5/16" - 53 1/8" *1203 - 1126 - 1350	*59 3/16" - 44 5/16" - 53 1/8" *1503 - 1126 - 1350	*67 1/16" - 44 5/16" - 53 1/8" *1703 - 1126 - 1350
Crated Dimensions (L-D-H) Inches-MM	Inches MM	46" - 52" - 61" 1168 - 1320 - 1549	54" - 52" - 61" 1372 - 1320 - 1549	66" - 52" - 61" 1676 - 1320 - 1549	73" - 52" - 61" 1854 - 1320 - 1549
Operating Temperature	°F	38°F - 40°F	38°F - 40°F	38°F - 40°F	38°F - 40°F
Power Supply	(V/Ph/Hz)	208-220/1/60	208-220/1/60	208-220/1/60	208-220/1/60
BTU's @ +14°F Evap Temperature	BTU'S	6800	7500	8500	10000
Power Consumption	(W/A)	1450/7,8	1550/8,0	1650/8,5	1860/9,0
Pipe Size (Inches)	Suction, Liquid	5/8", 5/16"	5/8", 5/16"	5/8", 5/16"	5/8", 5/16"
Net Weights	Lb	400	500	630	700
Crated Weights	Lb	490	600	730	800
<b>NOTES:</b> 1) REMOTE APPLICATION - CONDENSING UNIT SOLD SEPERATELY 2) FLOOR SINK RECOMMENDED ON THESE MODELS			*DIMENSIONS ARE WITH STANDARD POLISHED S/S SKIN SIDES		

DIAMOND 2 GRAB AND GO					
TECHNICAL FEATURES		MODELS			
		DIAMOND 2 GNG2000 (DMDGNG79)	DIAMOND 2 GNG2400 (DMDGNG94)	DIAMOND 2 GNGA90SQ (DMDGNGSQ90)	
External Dimensions (L-D-H) Inches-MM	Inches MM	*78 7/8" - 44 5/16" - 53 1/8" *2003 - 1126 - 1350	*94 5/8" - 44 5/16" - 53 1/8" *2403 - 1126 - 1350	*59 1/8" - 44 5/16" - 53 1/8" *1501 - 1126 - 1350	
Crated Dimensions (L-D-H) Inches-MM	Inches MM	84" - 50" - 61" 2133 - 1270 - 1549	100" - 50" - 61" 1778 - 1270 - 1549	70" - 50" - 61" 1778 - 1270 - 1549	
Power Supply	(V/Ph/Hz)	208-220/1/60	208-220/1/60	208-220/1/60	
BTU's @ +14°F Evap Temperature	BTU'S	11000	12500	11000	
Power Consumption	(W/A)	1900/9,9	2100/12,0	1900/9,9	
Pipe Size (Inches)	Suction, Liquid	5/8", 5/16"	3/4", 3/8"	5/8", 5/16"	
Net Weights	Lb	780	900	850	
Crated Weights	Lb	980	1000	950	
<b>NOTES:</b> 1) REMOTE APPLICATION - CONDENSING UNIT SOLD SEPERATELY 2) FLOOR SINK RECOMMENDED ON THESE MODELS			*DIMENSIONS ARE WITH STANDARD POLISHED S/S SKIN SIDES		

\*Oscartek reserves the right to change, modify, discontinue, or change any features, sizes, or capacity on any model without prior notice.

OSCARTEK®  
 512 South Airport Blvd., South San Francisco, CA 94080  
 Tel: 650.342.2400 | Fax: 650.342.7400  
 www.oscartek.com

