



MODEL TEAC-XXX-XXX

5, 7.5, 10, OR 15 HP AIR COMPRESSOR

GENERAL DESCRIPTION

To supply dry compressed air required by various pieces of TUCS equipment throughout the consultant kitchen plan. Compressor available in both horizontal and vertical tank designs to meet available floor space in mechanical room. Refrigerated Air Dry (RAD) is separate unit requiring interconnection to air compressor by mechanical contractor with inter-plumbing kit supplied by Tucs



Tucs Model TEAC



Tucs Model RAD

CERTIFICATIONS

CSA/LR38324 and CAGI



TUCS Equipment, Inc.
755 County Road 18 S. • Princeton MN 55371
Phone 763-574-7475 Fax 763-574-7472
www.tucsequipment.com

ITEM NO.

PROJECT

QUANTITY

AIA NO.

CAPACITIES

CFM output per chart on back page

CONSTRUCTION & FEATURES (TEAC)

Standard sizes: 5, 7.5, 10, and 15 HP ■ Choice of Vertical or Horizontal tank (specify -V or -H) ■ Choice of tank capacity: 80 or 120 gallon (specify 80 or 120) ■ Magnetic starter ■ Vibration isolators ■ Automatic tank drain for sealed installation by mechanical contractor

CONSTRUCTION & FEATURES (RAD)

Refrigerated air dryer is a separate unit ■ Rated at 37°F pressure dew point ■ Air cooled cabinet type ■ Flooded evaporator ■ Low ambient fan ■ Automatic high and low pressure shut down ■ Separate 120/160/single electrical plug in

OPTIONS

Other sizes available. Check with factory.

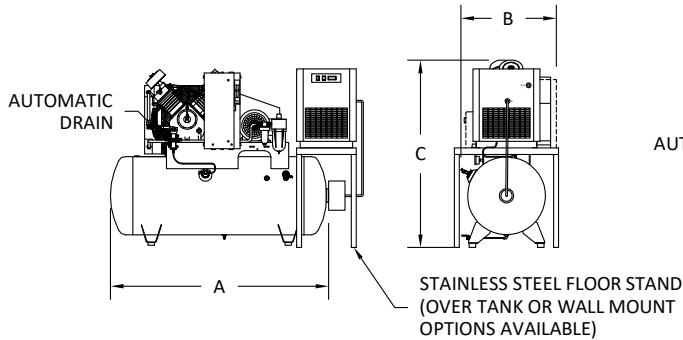
MODEL TEAC-XXX-XXX

5, 7.5, 10, OR 15 HP AIR COMPRESSOR

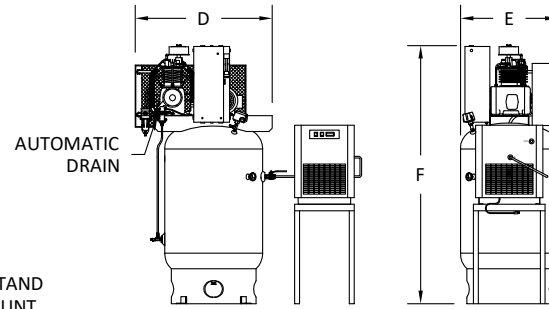
Scan this QR code with your smart phone to visit our website for more information.



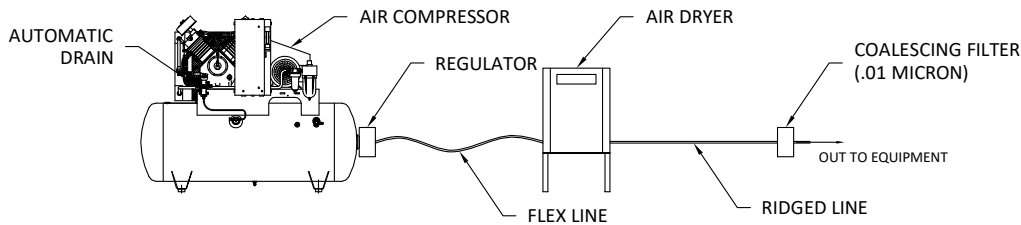
TUCS MODEL TEAC-XXH-XXX-RAD HORIZONTAL AIR COMPRESSOR W/ AIR DRYER



TUCS MODEL TEAC-XXV-XXX-RAD VERTICAL AIR COMPRESSOR W/ AIR DRYER



SCHEMATIC DIAGRAM



NOTES:

1. DIMENSIONS SUBJECT TO CHANGE WITHOUT NOTICE - CHECK WITH FACTORY.
2. ALLOW 48" FRONT COMPRESSOR ACCESS CLEARANCE AND 12" CLEARANCE FOR BACK AND SIDES.
3. HIGH INLET TEMPERATURE AIR DRYERS ARE RECOMMENDED FOR AREAS WITH HIGHER AMBIENT TEMPERATURES.
4. COMPONENTS INCLUDED ARE AS FOLLOWS: PRESSURE REGULATOR, FLEXIBLE CONNECTION LINES TO THE DRIER, SHUT OFF VALVE, AUTO WATER DRAIN, MANUAL DRAIN VALVE, COALESCING FILTER, 25' DRAIN LINE, MAGNETIC STARTER, VIBRATION PADS, ONE GALLON OF OIL, AND ONE EXTRA AIR FILTER.
5. ALLOW (2') TWO FEET, MINIMUM CLEARANCE AROUND THE DRYER FOR MAINTENANCE ACCESS AND ADEQUATE FREE CIRCULATION OF COOLING AIR TO THE DRYER. THE AMBIENT TEMPERATURE AROUND THE DRYER MUST NOT EXCEED 110°F (37.7°C) OR BE LESS THAN 40°F (10°C).

SPECIFICATIONS

TUCS MODEL NUMBER	HP	TANK SIZE (GAL.)	COMPRESSOR ELECTRICAL OPTIONS			AIR DRYER ELECTRICAL	DIMENSIONS (HOR. TANK)			DIMENSIONS (VERT. TANK)			125 PSI RATING	DISCHARGE CONNECTION	APPROX. COMP. SHIP WGT (LBS)	
			208V/3PH	230V/3PH	460V/3PH		A	B	C	D	E	F				
TEAC-5H-80-RAD	5	80	17.5 A	15.2 A	7.6 A	9.3 A	67	32	49	--	--	--	780	21.0	½"	590
TEAC-5H-120-RAD	5	120	17.5 A	15.2 A	7.6 A	9.3 A	71	32	49	--	--	--	780	21.0	¾"	765
TEAC-5V-80-RAD	5	80	17.5 A	15.2 A	7.6 A	9.3 A	--	--	--	35	27	75	780	21.0	½"	590
TEAC-5V-120-RAD	5	120	17.5 A	15.2 A	7.6 A	9.3 A	--	--	--	43	31	79	780	21.0	¾"	765
TEAC-7.5H-80-RAD	7½	80	25.3 A	22.0 A	11.0 A	9.3 A	67	32	49	--	--	--	649	28.7	¾"	765
TEAC-7.5H-120-RAD	7½	120	25.3 A	22.0 A	11.0 A	9.3 A	71	32	55	--	--	--	649	28.7	¾"	885
TEAC-7.5V-80-RAD	7½	80	25.3 A	22.0 A	11.0 A	9.3 A	--	--	--	40	35	77	649	28.7	¾"	710
TEAC-7.5V-120-RAD	7½	120	25.3 A	22.0 A	11.0 A	9.3 A	--	--	--	43	30	81	649	28.7	¾"	885
TEAC-10H-80-RAD	10	80	32.2 A	28.0 A	14.0 A	9.3 A	67	32	49	--	--	--	774	34.7	¾"	776
TEAC-10H-120-RAD	10	120	32.2 A	28.0 A	14.0 A	9.3 A	71	32	55	--	--	--	774	34.7	¾"	895
TEAC-10V-120-RAD	10	120	32.2 A	28.0 A	14.0 A	9.3 A	--	--	--	43	30	81	774	34.7	¾"	895
TEAC-15H-80-RAD	15	80	48.3 A	42.0 A	21.0 A	9.3 A	67	32	49	--	--	--	1034	49.9	¾"	900
TEAC-15H-120-RAD	15	120	48.3 A	42.0 A	21.0 A	9.3 A	71	32	55	--	--	--	1034	49.9	¾"	1015
TEAC-15V-120-RAD	15	120	48.3 A	42.0 A	21.0 A	9.3 A	--	--	--	43	30	81	1034	49.9	¾"	1020