

SHOCK A VODKA DOME SYSTEM FEATURES & OPTIONS

PROJECT _____

ITEM # _____

HOW OUR SHOCK A VODKA DOME SYSTEM WORKS :

- LIQUOR IS GRAVITY FED FROM INVERTED LIQUOR BOTTLES INTO OUR FROST DOMES
- EACH DOME HOLDS 1.75 LITERS OF LIQUOR AT 5° F
- NO PUMPING OR DISPENSING HARDWARE REQUIRED
- ALLOWS FOR A FAST ROI. INCREASES LIQUOR SALES 30-40%
- AT 5 DEGREES, LIQUOR TASTES VERY COLD & SMOOTH. PATRONS WANT EXPERIENCE A 5 DEGREE SHOT OR MARTINI
- FROSTED DOMES WITH LED LIGHTS CREATE A FOCAL POINT AT BARTO INTEREST PATRONS
- MANUAL VALVE LOCATED ON EACH DOME TO DISPENSE 5° F LIQUOR. AT 5° LIQUOR POURS THICK & SYRUPY.
- BUILT IN HEATER & DEFROST SYSTEMS TO ELIMINATE MOISTURE & BUILD FRESH ICE EVERYDAY
- SAV BUILT TO HANDLE HIGH VOLUMES
- ICE-33 OR ICE-75 REFRIGERATION UNIT CHILLS LIQUOR & BUILDS ICE ON FROST RAIL & DOMES

FEATURES :

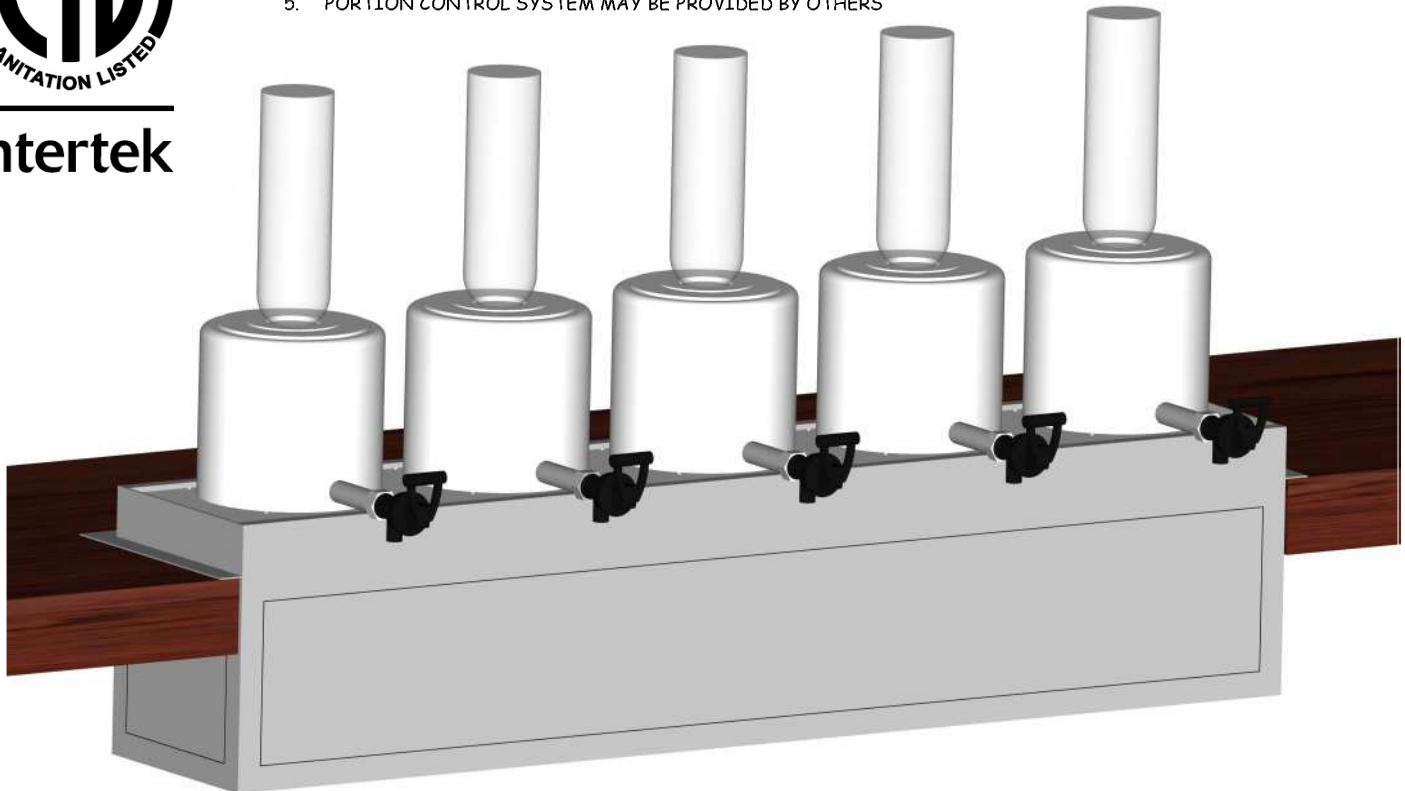
1. NEW SLIDE IN DESIGN MAKES FOR EASIER INSTALLATION
2. BAR TOP IS CUT OUT & SAV DOME SLIDES INTO COUNTERTOP & RESTS ON A 1" FLANGE
3. REFRIGERATION UNIT MAY SET BELOW DOMES AT BAR OR REMOTED UP TO 75' TO SAVE VALUABLE BAR SPACE
4. ENTIRE SYSTEM IS PRE-CHARGED WITH REFRIGERANT & COMES WITH QUICK CONNECT FITTINGS
5. REMOVABLE ACCESS PANELS ALLOWS FOR EASY SERVICEABILITY IF NECESSARY
6. HEATING SYSTEM CONTROL BOX TO BE LOCATED UNDER DOMES AT BAR - 10" L x 8" H x 3" D
7. SAV DOME MAY FLUSH MOUNT OR COUNTER MOUNT TO BAR TOP

OPTIONS :

1. AVAILABLE IN TWO SIZES: 48" OR 19-1/2"
2. STANDARD SIZE: 48" x 9-1/4" MAY HOLD 5 DOMES, 4 DOMES OR 3 DOMES
 - ~ FROSTED YETI DISPENSING TOWERS CAN BE USED FOR A COMPLETE LIQUOR & BEER DISPENSING STATION
 - ~ HANGING DRAIN PAN IS USED ONLY IF A YETI TOWER IS MOUNTED INSIDE OUR SHOCK A VODKA DOME SYSTEM
3. 19-1/2" x 9-1/4" WILL HOLD 2 DOMES OR 1 DOME
 - ~ SAV PORTABLE SYSTEM FOR A MOBILE LIQUOR DISPENSING SYSTEM (SEE SEPARATE CUT SHEET)
4. ADDITIONAL FROST RAILS OR BEER STATIONS MAY BUTTRESS SAV TO CREATE ONE CONTINUOUS ICE EFFECT AT BAR. ADDITIONAL REFRIGERATION UNITS WILL BE REQUIRED
5. PORTION CONTROL SYSTEM MAY BE PROVIDED BY OTHERS



Intertek



2371 GAUSE BLVD. WEST
SLIDELL, LA 70460
P.O. BOX 5566 - ZIP 70469

CHILL·RITE
32[®]
Beer Systems

www.CHILLRITE32.com
800.256.2190 - TOLL FREE
985.641.0183 - FAX

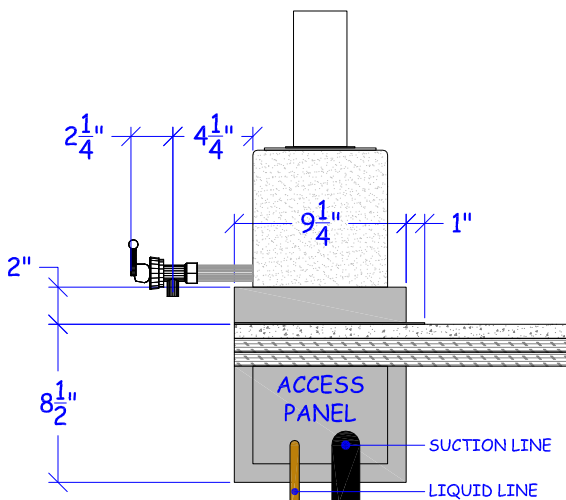
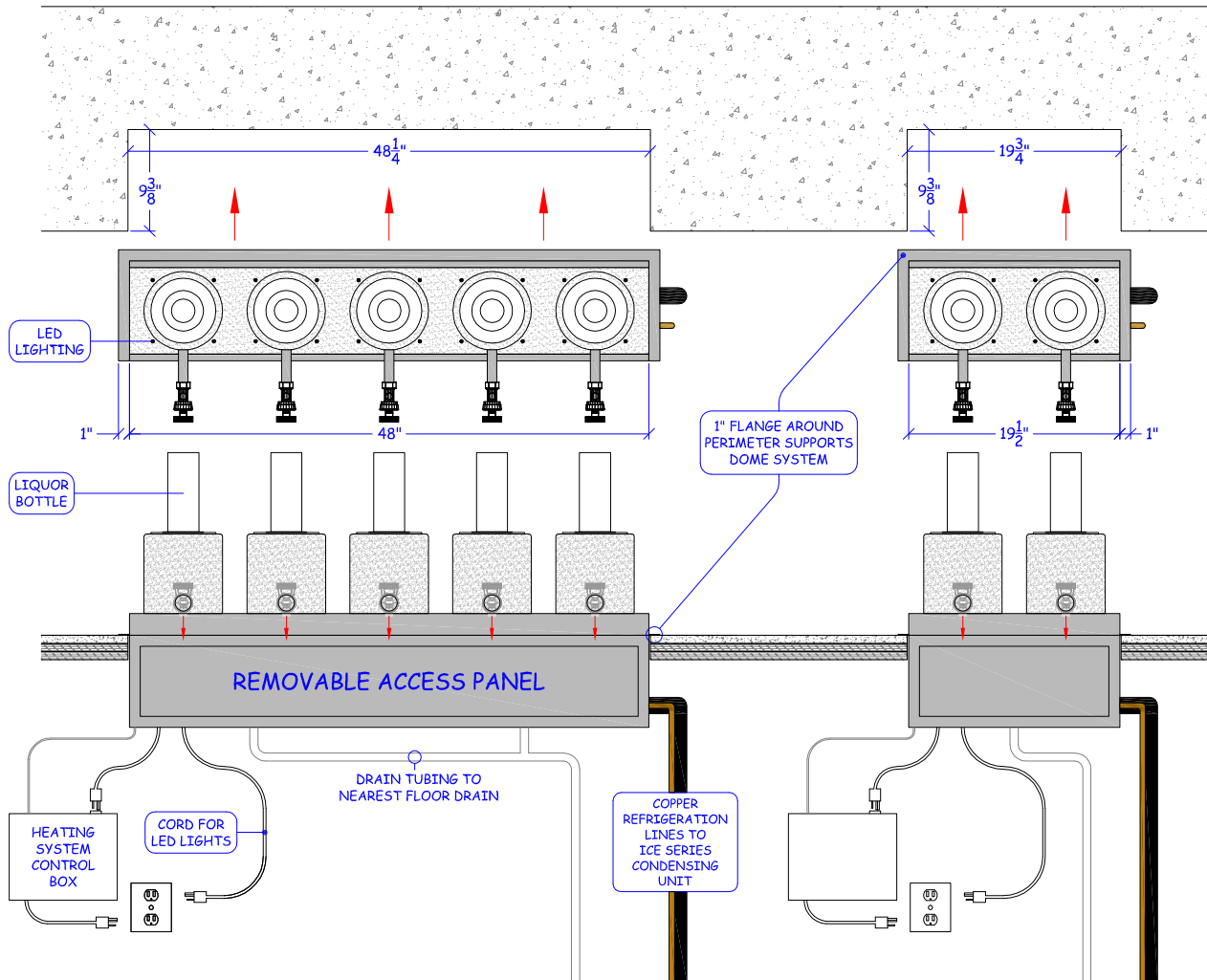
IN GOD WE TRUST

8.5.15 REVISION

SHOCK A VODKA DOME SYSTEM PRODUCT DIMENSIONS & REQUIREMENTS

PROJECT _____

ITEM # _____



REFRIGERATION UNIT APPLICATION:

- ICE-75 SERIES CONDENSING UNIT IS USED WITH 48" SHOCK A VODKA DOME SYSTEM
- ICE-33 SERIES CONDENSING UNIT IS USED WITH 19-1/2" SAV DOME & SAV PORTABLE DOME SYSTEMS

REQUIREMENTS:

- (2) 115V RECEPTACLES UNDER BAR FOR LED LIGHTS & HEATER CONTROL BOX - 10 AMPS TOTAL - BOX IS 10" L x 8" H x 3" D
- (2) COPPER REFRIGERATION LINES FROM DOME SYSTEM TO ICE SERIES CONDENSING UNIT - INSULATE SUCTION LINE. *(CONTACT FACTORY FOR CORRECT LINE SIZES)*
- REFRIGERATION LINES MAY BE ROUTED OVERHEAD OR UNDERGROUND ~ 4" CHASE REQUIRED IF UNDERGROUND
- DOME SYSTEM & ICE SERIES UNITS ARE PRE-CHARGED WITH 404A REFRIGERATION & COME WITH QUICK CONNECT FITTINGS
- ICE UNITS CAN SET UNDER BAR OR REMOTED UP TO 75' FROM DOMES

2371 GAUSE BLVD. WEST
SLIDELL, LA 70460
P.O. BOX 5566 - ZIP 70469



www.CHILLRITE32.com
800.256.2190 - TOLL FREE
985.641.0183 - FAX

SHOCK A VODKA PORTABLE DOME SYSTEM

PROJECT _____

ITEM # _____

FEATURES :

- FULLY PORTABLE SHOCK A VODKA LIQUOR DISPENSING SYSTEM (SAV)
- IDEAL FOR DAILY BAR OPERATION, SPECIAL EVENTS, BOTTLE SERVICE, DEMONSTRATION OR RENTAL
- BOTTLES ARE INVERTED & THE LIQUOR GRAVITY FEEDS INTO THE 5 DEGREE LIQUOR DOMES
- LIQUOR MANUALLY DISPENSES THROUGH VALVE FAUCET WITH A POSITIVE SHUT OFF
- LED LIGHTS CREATE A FOCAL POINT TO INTEREST PATRONS & ALLOW ENHANCED MERCHANDISING OF BOTTLES
- PLUG & GO - NO INSTALLATION REQUIRED
- SIMPLY ROLL SAV PORTABLE UNIT INTO PLACE & PLUG INTO 115V / 20AMP OUTLET
- NO MODIFICATIONS REQUIRED AT THE BAR
- BUILDS ICE ON DOMES IN 30 MINUTES
- PRODUCT PULLS DOWN IN 3 HOURS
- SELF CONTAINED SYSTEM REQUIRES LOW MAINTENANCE & IS EASY TO CLEAN

BENEFITS :

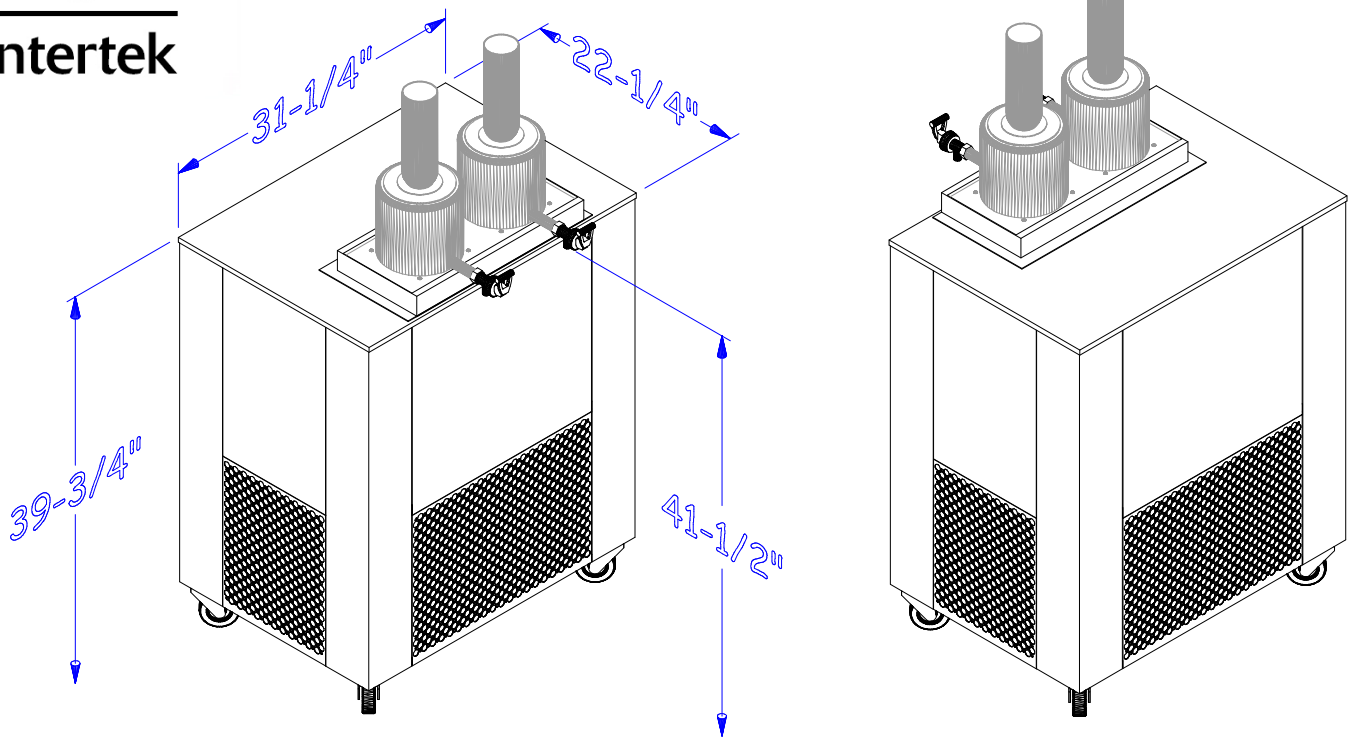
- DISPENSES LIQUOR AT 5 DEGREES
- BUILT FOR HIGH VOLUME & ALLOWS FOR A FAST RETURN ON INVESTMENT
- WHEN THE LIQUOR POURS AT 5 DEGREES IT BECOMES THICK & SYRUPY
- AT 5 DEGREES, LIQUOR TASTES VERY COLD & SMOOTH. PATRONS WANT TO EXPERIENCE A 5 DEGREE SHOT OR MARTINI
- EACH SAV DOME HOLDS 2-1/2 QUARTS OF LIQUOR
- DRAMATICALLY INCREASES LIQUOR SALES

REQUIREMENTS :

- (1) 115V RECEPTACLE REQUIRED - NEMA PLUG TYPE 5-15P - 10 AMPS TOTAL
- WEIGHT = 200 POUNDS
- KEEP SYSTEM OUT OF DIRECT SUN LIGHT IF USING OUTDOORS



Intertek



2371 GAUSE BLVD. WEST
SLIDELL, LA 70460
P.O. BOX 5566 - ZIP 70469



www.CHILLRITE32.com
800.256.2190 - TOLL FREE
985.641.0183 - FAX

IN GOD WE TRUST