



Project:

Item:

Quantity:

VACUUM PACKAGING MACHINE POLAR 80 COMBIVAC – SPEC SHEET

**POLAR 80 COMBIVAC**  
**VACUUM PACKAGING MACHINE**



**FEATURES**

- Standard with 2 seal bars: 30” (front), 20” (right)
- Other seal bar configurations available for free (front-back, left-right)
- Standard double seal (two wires) and seal system mounted in the lid. Optional without extra costs: Cut-off/Wide seal
- Seal bars easily removable for cleaning and maintenance purposes
- **Standard Advanced Control (CombiVac)** with Sensor control: max. 99.8% end vacuum
- Pump capacity: 4,237 cf/h (120 m<sup>3</sup>/h)
- Pump maintenance and cleaning program
- Machine cycle: 15-40 sec
- Soft Air to protect product and vacuum bag
- Flat, stainless steel work plate
- Comes with insert plates for a faster cycle and product adjustment
- Stainless steel exterior
- IP65 classification
- 12ft cord with NEMA L15-30P plug

**DESCRIPTION**

The robust, stainless steel Polar 80 vacuum packaging machine is standard equipped with a Busch vacuum pump. This floor model is ETL listed and complies with UL, CSA and CE standards.

**OPTIONS**

- 3 seal bars (left-front-right)
- 1-2 Cut-off/Bi-active seal
- Standard Digital control with 10 program memory and Sensor control
- Gas flush (incl. pressed air connection)
- Preparation for external pump
- Extra high contra bar (only available icw front-right seal bar configuration and not icw gas flush)
- Heavy duty seal bars



Henkelman Inc offers a warranty of 1 year on labor and 3 years on parts. For full warranty details, please refer to [www.henkelman.com](http://www.henkelman.com).

**ACCESSORIES**

- Inclined insert plate
- Service kit for standard maintenance
- Zebra ZD410 thermal label printer (only in combination with standard CombiVac control)

DATE

APPROVAL



HENKELMAN BV  
 Titaniumlaan 10  
 5221 CK 's-Hertogenbosch  
 The Netherlands

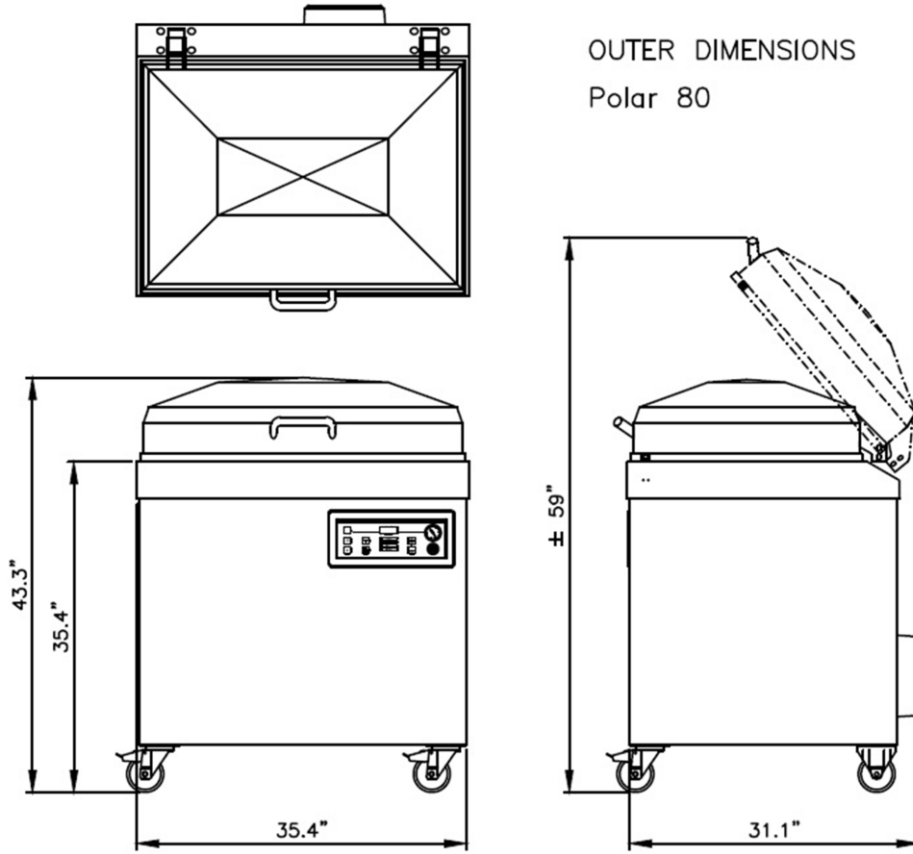
**Sales support**  
 P +31 73 621 36 71  
 E [info@henkelman.com](mailto:info@henkelman.com)  
**Service/technical support**  
 P +31 73 621 36 71  
 E [service@henkelman.com](mailto:service@henkelman.com)

# VACUUM PACAGKING MACHINE POLAR 80 COMBIVAC – SPECS

VACUUM PACKAGING MACHINE POLAR 80 COMBIVAC – SPEC SHEET

## DIMENSIONS

In inches



Model	Dimensions (inches)		Volts	Hz	Pump capacity	Amps	HP	Plug	Weight (lbs)
	Chamber (usable space) L x W x H	Machine L x W x H							
Polar 80	20.1 x 29.9 x 7.9	31.1 x 35.4 x 43.3	208	60	120 m <sup>3</sup> /h 4,237 cf/h	21/ 22 C*	4.6	NEMA L15-30P	547



L15-30P 3 pole, 4 wire grounding 3 x 208 Volt

\*This is the minimum fuse value with the recommended characteristic



HENKELMAN BV  
Titaniumlaan 10  
5221 CK 's-Hertogenbosch  
The Netherlands

**Sales support**  
P +31 73 621 36 71  
E [info@henkelman.com](mailto:info@henkelman.com)  
**Service/technical support**  
P +31 73 621 36 71  
E [service@henkelman.com](mailto:service@henkelman.com)