



Project:

Item:

Quantity:

VACUUM PACKING MACHINE MARLIN 52 II - SPEC SHEET

VACUUM PACKING MACHINE MARLIN 52 II



FEATURES

- Seal bar length: 2 x 20.5"
- Seal bars with two wires, for double security
- Seal bars easily removable for cleaning and maintenance purposes
- Pump capacity: 75 m3/h Busch pump
- Pump Maintenance and cleaning program
- Machine cycle: 20-40 sec
- Sensor Control 1- 99.8%, for an optimum and consistent vacuum and cycle time.
- Soft-air to protect the product and vacuum pouch
- 10 program memory
- Transparent lid, which opens automatically after every cycle
- Deep drawn vacuum chamber
- Comes with insert plates for a faster cycle and product adjustment
- Stainless steel exterior
- 6ft cord with Nema 14-50P plug

OPTIONS AND ACCESSORIES

- Cut-off seal
- Wide seal
- Inclined insert plate
- Food container adaptor
- ACS Control
- Liquid Control

DESCRIPTION

The robust, stainless steel Marlin 52 II vacuum packer is standard equipped with a Busch pump that has a special hydrophobic coating, is ETL listed and complies with UL, CSA and CE standards.



WARRANTY

All models shown come with Henkelman's standard three year warranty against defects in materials and workmanship. For full warranty details, please refer to www.henkelman.com/us.

DATE

APPROVAL



FIT FOR FOOD SERVICE
WWW.HENKELMAN.COM/US

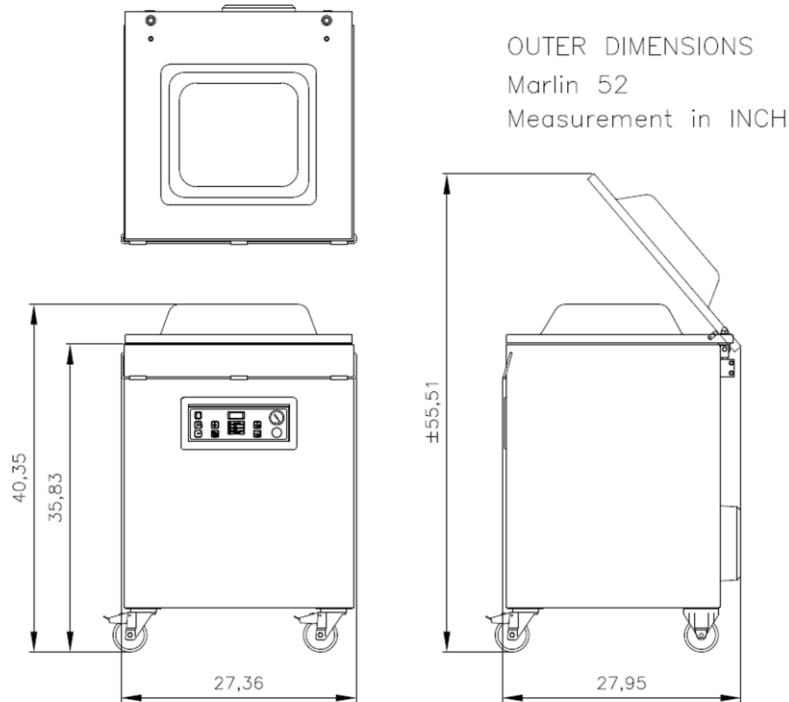
HENKELMAN INC. Customer service + 1 331 979 2013
493 W Fullerton Ave Customer service fax +1 630 359 3875
Elmhurst IL, 60126 e-mail info.usa@henkelman.com

VACUUM PACKING MACHINE MARLIN 52 II – SPECS

VACUUM PACKING MACHINE MARLIN 52 II – SPEC SHEET

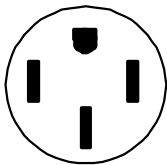
DIMENSIONS

In inches



Model.	Dimensions (IN)		Volts	Amps	Hz	Pump capacity	HP	Plug	Weight (LB)
	Chamber (L x W x H)	Machine (L x W x H)							
Marlin 52 II	20.5" x 19.7" x 7.9"	28" x 27.4" x 40.4"	220-230V	20	60Hz	75 m3/h (2,780 cf/h)	4.7	NEMA 14-50P	315

NEMA 14-50P



50 A/250V



FIT FOR FOOD SERVICE
WWW.HENKELMAN.COM/US

HENKELMAN INC.
493 W Fullerton Ave
Elmhurst IL, 60126

Customer service + 1 331 979 2013
Customer service fax +1 630 359 3875
e-mail info.usa@henkelman.com