



Project:
Item:
Quantity:

COMBIVAC BOXER 62
CHAMBER VACUUM SEALER



FEATURES

- Seal bar length: 1x 24,4" (front)
- Seal bar with two wires, for double security
- Seal bars easily removable for cleaning and maintenance purposes
- Pump capacity: 889 cf/h (25 m³/h) Busch vacuum pump
- Pump maintenance and cleaning program
- Machine cycle: 20-40 sec
- **Standard CombiVac control system** with 20 program memory and Sensor control: max. 99.8%, for an optimum and consistent vacuum and cycle time
- Soft Air to protect the product and vacuum pouch
- Transparent lid, which opens automatically after every cycle
- Deep drawn vacuum chamber
- Comes with insert plates for a faster cycle and product adjustment
- Stainless steel exterior
- 6ft cord with Nema 5-20P plug
- Standard with service kit

DESCRIPTION

The robust, stainless steel Boxer 62 vacuum sealer is standard equipped with a Busch vacuum pump. This CombiVac table-top model is ETL listed and complies with UL, CSA and CE standards.

OPTIONS AND ACCESSORIES

- Liquid control
- Inclined insert plate
- Cut-off/Wide seal (\$0)
- Label printer
- Food container adaptor



WARRANTY

Henkelman Inc offers a warranty of 1 year on labor and 3 years on parts. For full warranty details, please refer to www.henkelman.com.

DATE

APPROVAL



FIT FOR FOOD SERVICE

<https://www.henkelman.com/us>

HENKELMAN INC.
493 W Fullerton Ave
Elmhurst IL, 60126

Sales and technical support
P +1 331 979 2013
F +1 630 359 3875
E info@henkelmanusa.com
Service and warranty
P +1 844 208 5685

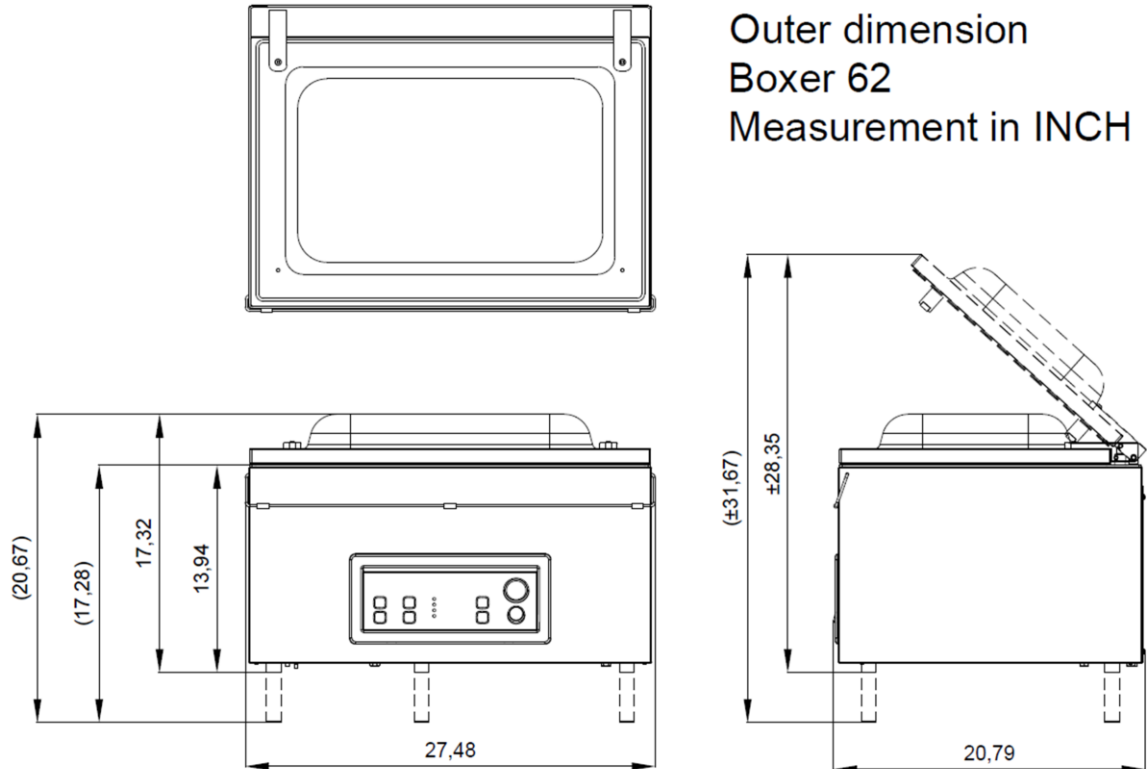
COMBIVAC VACUUM SEALER BOXER 62 - SPEC SHEET

COMBIVAC VACUUM SEALER BOXER 62 – SPECS

COMBIVAC VACUUM SEALER BOXER 62 – SPEC SHEET

DIMENSIONS

In inches



Model	Dimensions (inches)		Volts	Amps	Hz	Pump capacity	HP	Plug	Weight (lbs)
	Chamber (usable space) LxWxH	Machine LxWxH							
Boxer 62 CombiVac	14,2"x24,4"x7"	20.8"x27.5"x17.3"	110-120V	16	60Hz	889 cf/h (25 m ³ /h)	1.34	NEMA 5-20P	179



FIT FOR FOOD SERVICE

<https://www.henkelman.com/us>

HENKELMAN INC.
493 W Fullerton Ave
Elmhurst IL, 60126

Sales and technical support

P +1 331 979 2013

F +1 630 359 3875

E info@henkelmanusa.com

Service and warranty

P +1 844 208 5685