



Project:
Item:
Quantity:

VACUUM PACKAGING MACHINE BOXER 35 - SPEC SHEET

COMBIVAC BOXER 35
VACUUM PACKAGING MACHINE



FEATURES

- Seal bar length: 13.5"
- Seal bar with two wires, for double security
- Seal bar easily removable for cleaning and maintenance purposes
- Pump capacity: 678 cf/h (19 m³/h) Busch vacuum pump
- Pump maintenance and cleaning program
- Machine cycle: 15-30 sec
- **Standard Advanced Control System (ACS)**, with Sensor control: max. 99.8%, for an optimum and consistent vacuum and cycle time.
- Soft Air to protect the product and vacuum pouch
- 20 program memory (ACS)
- Transparent lid, which opens automatically after every cycle
- Deep drawn vacuum chamber
- Comes with insert plates for a faster cycle and product adjustment
- Stainless steel exterior
- 6ft cord with Nema 5-15P plug

DESCRIPTION
The robust, stainless steel Boxer 35 vacuum packer is standard equipped with a Busch vacuum pump. This Combivac machine is ETL listed and complies with UL, CSA and CE standards.

OPTIONS AND ACCESSORIES

- Cut-off seal (\$0)
- Wide seal (\$0)
- Inclined insert plate
- Food container adaptor
- Cart with castors and shelve
- Liquid control



WARRANTY
Henkelman Inc offers a warranty of 1 year on labor and 3 years on parts. For full warranty details, please refer to www.henkelman.com.

DATE **APPROVAL**

ORIGINAL
HENKELMAN
VACUUM SYSTEMS

FIT FOR FOOD SERVICE
WWW.HENKELMAN.COM

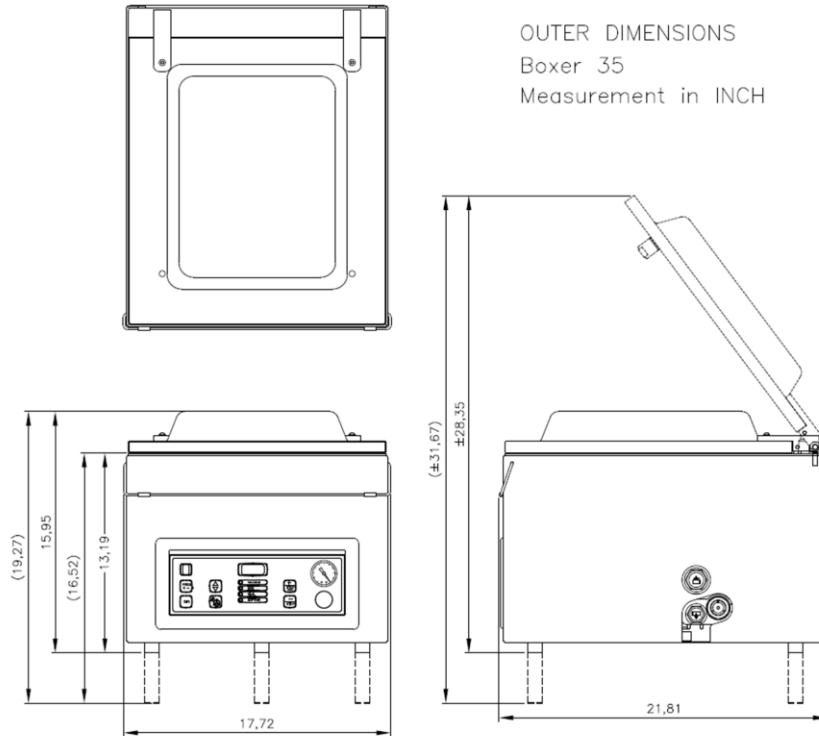
HENKELMAN INC. **Sales and technical support**
493 W Fullerton Ave P +1 331 979 2013
Elmhurst IL, 60126 F +1 630 359 3875
E info@henkelmanusa.com
Service and warranty
P +1 844 208 5685

VACUUM PACKING MACHINE BOXER 35 – SPECS

VACUUM PACKING MACHINE BOXER 35 – SPEC SHEET

DIMENSIONS

In inches



OUTER DIMENSIONS
Boxer 35
Measurement in INCH

Model	Dimensions (inches)		Volts	Amps	Hz	Pump capacity	HP	Plug	Weight (lbs)
	Chamber (usable space) LxWxH	Machine LxWxH							
Boxer 35 Combivac	14.5"x13.5"x6"	21.8"x17.7"x15.9"	110-120V	9.5	60Hz	678 cf/h (19 m ³ /h)	0.74	NEMA 5-15P	115

NEMA 5-15P



15 A/125 V



FIT FOR FOOD SERVICE
WWW.HENKELMAN.COM

HENKELMAN INC.
493 W Fullerton Ave
Elmhurst IL, 60126

Sales and technical support
P +1 331 979 2013
F +1 630 359 3875
E info@henkelmanusa.com
Service and warranty
P +1 844 208 5685