

Whether you're serving coffee in a specialty coffee shop, a hotel or a restaurant, the A400 can handle every situation with ease. This compact but premium coffee machine comes with an automatic cleaning system and unique interactive touch screen which is configurable to your needs, making it easy to operate no matter who uses it. And with options like FoamMaster™ allowing you to prepare the perfect hot or cold foam, you can create a wide range of drinks that go above and beyond expectations.

UNIT	CUPS PER DAY
A400	Up to 100



Touch Screen

8-inch comfort display with incredibly simple operating concept and attractive product presentation.



FoamMaster™

For perfect foam, every time.



Franke Digital Services

A clear view of commercial and operational performance.

Technical Data

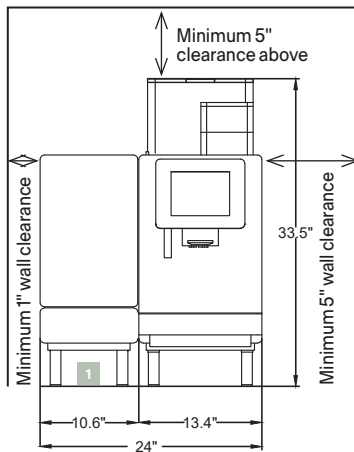
Machine Models

Model	Specification
A400	
Electrical Connection	208V (30A)
Dimensions	13.4"W x 33.5"H in x 23.6"D
SU05 CM Electrical	120V (15A)
SU05 CM Dimensions	10.6"W x 25.2"H x 18.7"D
Weight (empty)	Approx. 168 lbs (FM CM incl. SU05 CM)

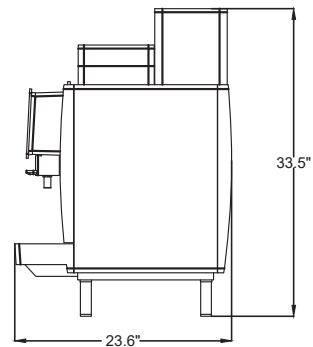


L6-30R

Standard Configuration - Front Profile



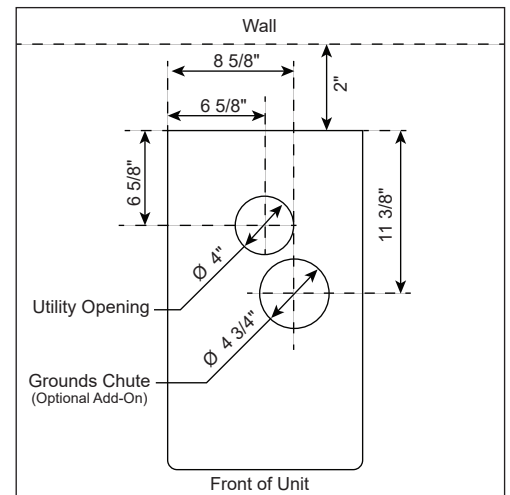
Side Profile



Water quality requirements

Aroma	Fresh and pure taste, with no perceptible aroma
Color	Clear
Total Hardness	70 – 140 ppm (mg/l) 4 – 8 gpg
Carbonate hardness	3 – 6° dH CH (carbonate hardness) 50 – 105 ppm (mg/l)
Acid content/ph value	6.5 – 7.5 pH
Chlorine content	< 0.5 mg/l
Chloride content	< 30 mg/l
TDS (Total dissolved solids)	30 – 150 ppm (mg/l)
Electrical conductivity	50 – 200 μ S/cm (microsiemens)
Iron Content	< 0.3 mg/l
Water pressure	80 – 800 kPa (0.8 – 8 bar)
Flow rate	> 0.1l/sec
Water temperature	< 25°C

Utility and Grounds Chute Openings



Water connection and drain

Water connection	3/8" compression fitting, L = 59 in
Drain hose	Dia = 0.75 in, L = 78.7 in

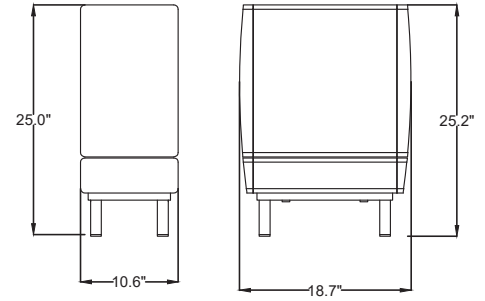
Add-on units

1 Refrigeration unit


SU05 CM (5l) (1 Gallon Milk)	
Electrical connection	120V (15A)
Dimensions	10.6"W x 25.2"H x 18.7"D
Weight (empty)	Approx. 53 lbs
Compatible with	A400 FM CM
Color	Black



5-15R



Digital services connectivity requirements

OPTION 1		OPTION 2	OPTION 3	
Ethernet/LAN <i>Recommended Option</i>		Additional costs may apply	Limitations may apply	
 <p>Internet connection provided to machine over LAN/Ethernet Cable</p>	Connectivity Requirements	Franke Connection KIT Cellular/ WiFi (Modem)	3rd Party Cellular Modem/ WiFi	
	Ethernet/LAN			
	MQTT	Port 8883	Mobile: Private APN (Roaming partner) 4G 2 x LAN ports to connect Modem connects up to 2 machines Wifi capability upon request	Mobile: Cellular or WiFi connection Customer provides modem
	NTP	Port 123		
HTTPS	Port 443			
MQTT Websockets	Port 443/ Port 444			

Customer is responsible for all connectivity.



ELT LISTED CONFORMS TO
UL STD 197 CERTIFIED TO
CSA STD C22.2
NO 1093 | 123505



CONFORMS TO
NSF STD 4

Let's go premium everywhere.



Franke Digital Services
A clear view of commercial
and operational performance.

1 A400 Features

- Bean hoppers / Bean grinders: 2 x 2.6 lbs, lockable
- One powder dosing system (chocolate or chai powder), lockable
- Cup sensor

Optional Features:

- Second powder dosing system (chocolate or chai powder), lockable
- Coffee grounds chute

2 Milk and Cleaning Systems

- FoamMaster™ (FM): hot and cold milk and milk foam, individually adjustable consistency, integrated cleaning system
- CleanMaster (CM): fully automatic cleaning system with integrated cleaning cartridge.
- CM provides outstanding hygiene and unbeatable simplicity, efficiency and convenience

Special Order:

- Milk system (MS): hot and cold milk and warm milk foam, exact dosing via milk pump
- EasyClean (EC): automatic cleaning system with manual addition of the cleaning fluid. Perfect hygiene in just a few steps



Franke Kaffeemaschinen AG
cs-info.ch@franke.com

Franke Coffee Systems GmbH
cs-info.de@franke.com

Franke Coffee Systems Americas
cs-coffeesales.us@franke.com

Franke Coffee Systems UK
sales@frankecoffeesystems.co.uk

[us.coffee.franke.com](https://www.us.coffee.franke.com)