

The A1000 can deliver a large variety of espresso beverages and with integrated features like the FoamMaster™ and iQFlow™, the options are endless. And with the optional Flavor Station you have six flavors to choose from. The 10.4" intuitive and configurable touch screen also guarantees full flexibility, making the A1000 a state-of-the-art coffee machine that can always be relied on, no matter how many coffees you deliver in a day. On the operational side of things, the integrated and fully automatic CleanMaster™ means your machine is guaranteed to meet the strictest hygiene standards, while our outstanding design allows the A1000 to blend perfectly with your surroundings or act as an inviting focal point.

UNIT	CUPS PER DAY
A1000	Up to 300



iQFlow™

Groundbreaking technology that extracts more flavor for unrivaled in-cup-quality.



FoamMaster™

For perfect foam, every time.




Franke Digital Services

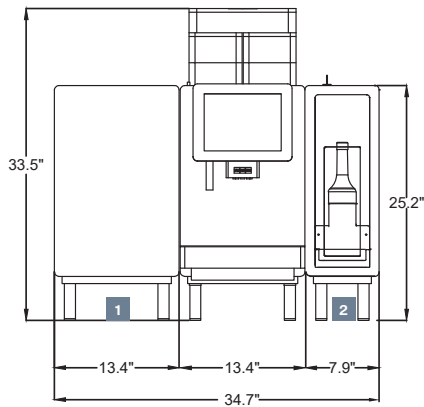
A clear view of commercial and operational performance.

Technical Data

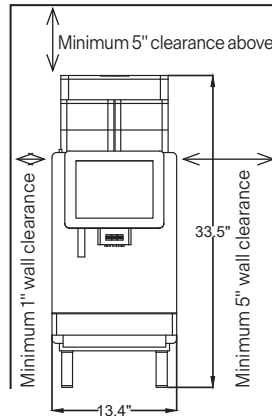
Machine Models

Model	Specification	
A1000 FM CM		 L6-30R
Electrical Connection	208V (30 A)	
Dimensions	13.4"W x 32.7"H in x 23.6"D	
Weight (empty)	Approx. 220 lbs (FM CM incl. SU12 CM)	

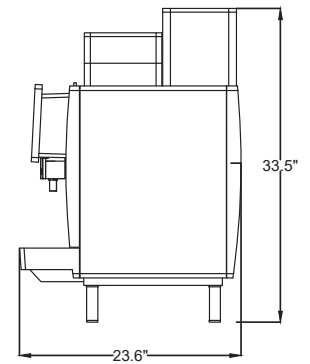
Standard Configuration - Front Profile



Front Profile and Clearances*



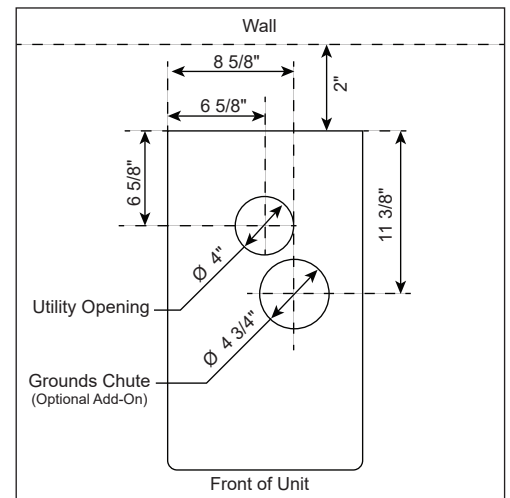
Side Profile



Water quality requirements

Aroma	Fresh and pure taste, with no perceptible aroma
Color	Clear
Total Hardness	70 – 140 ppm (mg/l) 4 – 8 gpg
Carbonate hardness	3 – 6° dH CH (carbonate hardness) 50 – 105 ppm (mg/l)
Acid content/ph value	6.5 – 7.5 pH
Chlorine content	< 0.5 mg/l
Chloride content	< 30 mg/l
TDS (Total dissolved solids)	30 – 150 ppm (mg/l)
Electrical conductivity	50 – 200 µS/cm (microsiemens)
Iron Content	< 0.3 mg/l
Water pressure	80 – 800 kPa (0.8 – 8 bar)
Flow rate	> 0.1l/sec
Water temperature	< 25°C

Utility and Grounds Chute Openings



Water connection and drain

Water connection	Metal hose with union nut G 3/8", L = 59"
Drain hose	Dia = 0.62", L - 78.7 in

*Clearance applies when milk and flavor systems are mounted under the counter.

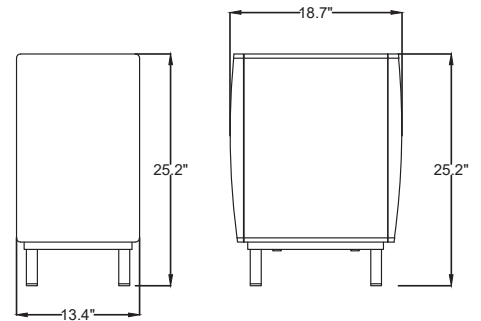
Add-on units

1 Refrigeration unit

Electrical connection	SU12 CM (12l) (2 Gallon Milk) 120V (15A)
Dimensions	13.4"W x 25.3"H x 18.7"D
Weight (empty)	Approx. 57 lbs
Color	Black



5-15R

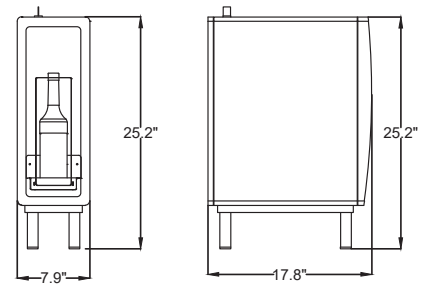


2 Flavor station


Electrical connection	FS6 120V (15A)
Dimensions	7.9"W X 25.2"H X 17.8"D
Weight (empty)	Approx. 48 lbs
Color	Black



5-15R



Digital services connectivity requirements

OPTION 1		OPTION 2	OPTION 3
		Additional costs may apply	Limitations may apply
Ethernet/LAN <i>Recommended Option</i>	Connectivity Requirements Ethernet/LAN	Franke Connection KIT Cellular/ WiFi (Modem)	3rd Party Cellular Modem/ WiFi
Internet connection provided to machine over LAN/Ethernet Cable 	MQTT	Port 8883	Mobile: Cellular or WiFi connection Customer provides modem
	NTP	Port 123	
	HTTPS	Port 443	
	MQTT Websockets	Port 443/ Port 444	
		Mobile: Private APN (Roaming partner) 4G 2 x LAN ports to connect Modem connects up to 2 machines Wifi capability upon request	

Customer is responsible for all connectivity.



ELT LISTED CONFORMS TO
UL STD 197 CERTIFIED TO
CSA STD C22.2
NO 1093 | 123505



CONFORMS TO
NSF STD 4

The ultimate customization.



1 A1000 Features

- Bean hoppers / grinders: 2 x 2.6 lbs., lockable
- Powder dosing systems (chocolate/chai): 2 x 2.6 lbs. (approx. wt.), lockable
- Cup sensor
- iQFlow™
- Automatic height-adjusting dispensing outlet

Optional Features:

- Coffee grounds chute

Special Order:

- Third bean hopper / grinder: 1 x 1.3 lbs., lockable
- Autosteam Pro (S3) steam wand (automatic milk foaming)

2 Milk and Cleaning Systems

- FoamMaster™ (FM): hot and cold milk and milk foam, individually adjustable consistency, integrated cleaning system
- CleanMaster (CM): fully automatic cleaning system with integrated cleaning cartridge and integrated cleaning tank
- CM provides outstanding hygiene and unbeatable simplicity, efficiency and convenience

Milk Capacity:

- 2 x 1 gallon

3 Flavor Station

- Automatic dosing station for up to six flavors

Flexibility

Our product portfolio allows various assembly options — tailored to your needs.



Franke Kaffeemaschinen AG
cs-info.ch@franke.com

Franke Coffee Systems GmbH
cs-info.de@franke.com

Franke Coffee Systems Americas
cs-coffeesales.us@franke.com

Franke Coffee Systems UK
sales@frankecoffeesystems.co.uk

us.coffee.franke.com